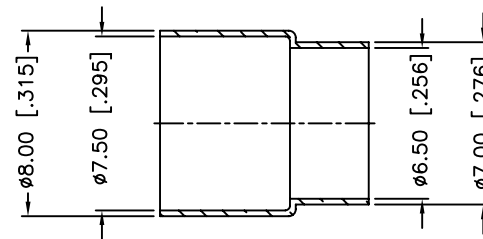
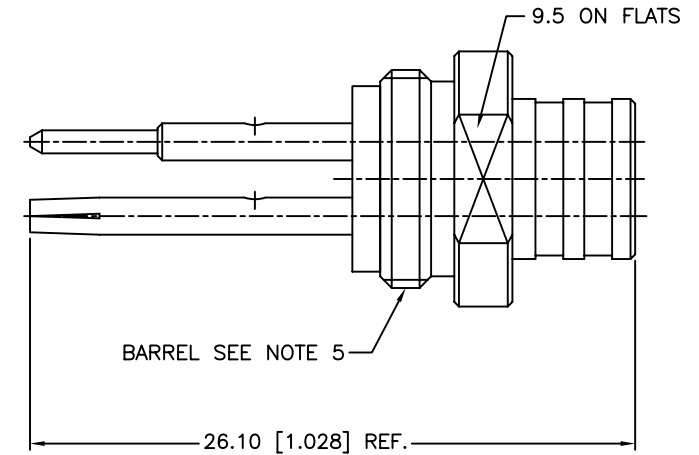
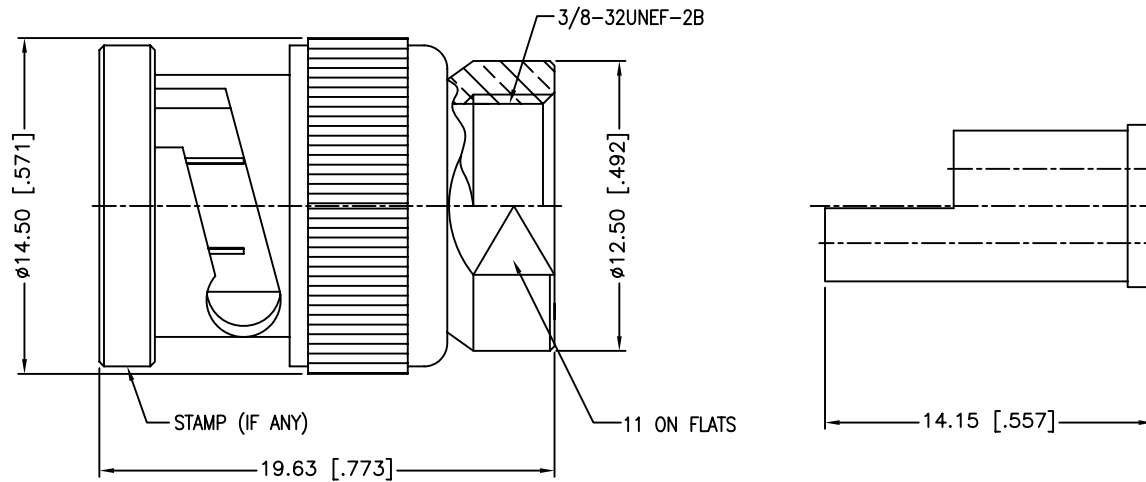


REV.	DATE	ECR NO.	DESCRIPTION
NC	11/21/11	XXXXXX	INITIAL RELEASE
A	11/07/12	2397	THE BARREL CHANGED TO INCREASE INSULATOR RETENTION & REVISE PACKAGING



NOTES:

- CRIMPED FERRULE
HEX. CRIMP SIZE .278"
- SOLDER CENTER CONTACTS
- DIELECTRIC WITHSTANDING VOLTAGE: 500 VRMS, MIN.
- CENTER CONTACT INSERTION FORCE: 2 LBS MAX.
CENTER CONTACT WITHDRAWAL FORCE: 2 OZ MIN.
- INTERFACE PER 349-50551 SEC.102 AFTER ASSEMBLY.
- BARREL MUST ROTATE WITH A 5 ~ 20 IN-LBS. TORQUE.
- INSULATOR MUST WITHSTAND A PULL-FORCE OF 6 LBS MIN.
- PACKAGING:
 - 600 PCS OF THE FERRULE IN ITS OWN BAG
 - 600 PCS OF THE CONNECTOR HOUSING IN ITS OWN TRAY,
40 PCS WILL BE PACKAGED PER EACH TRAY
 - 600 PCS OF THE DIELECTRIC IN ITS OWN BAG
 - 600 PCS OF THE CONTACT INSERT WITH RED GASKET INSTALLED IN ITS OWN TRAY
40 PCS WILL BE PACKAGED PER EACH TRAY

QTY	DESCRIPTION	MATERIAL	FINISH
13	FERRULE	BRASS	NICKEL
12	BARREL	BRASS	NICKEL
11	INSULATOR	PBT	WHITE
10	GASKET	SILICONE	RED
9	CONTACT PIN	PHOSPHOR BRONZE	GOLD
8	CONTACT PIN	BRASS	GOLD
7	INSULATOR	PBT	WHITE
6	WASHER	BRASS	NICKEL
5	SPRING	BER. COPPER	NICKEL
4	RETAINER RING	BRASS	NICKEL
3	GASKET	RUBBER	RED
2	BODY	BRASS	NICKEL
1	SHELL	BRASS	NICKEL
QTY	DESCRIPTION	MATERIAL	FINISH

UNLESS OTHERWISE SPECIFIED DIMENSIONS ARE IN MILLIMETERS. DIMENSIONS IN [] ARE IN INCHES AND FOR CUSTOMER REFERENCE ONLY.

UNLESS OTHERWISE SPECIFIED TOLERANCES FOR MILLIMETERS ARE:
 0.5 - 8mm ± 0.20mm
 8 - 30mm ± 0.40mm
 30 - 120mm ± 0.50mm

UNLESS OTHERWISE SPECIFIED TOLERANCES FOR INCHES ARE:
 .020 - .315 = ± 0.007"
 .315 - 1.180 = ± 0.015"
 1.180 - 4.724 = ± 0.020"

DO NOT SCALE DRAWING

APPROVALS	DATE
DRAWN M.ZHANG	11/07/12
CHECKED	
ISSUED	
SHEET 1 OF 1	
CAD FILE	C:/CONNEX/162108B.DWG

Amphenol Connex			
PART DESCRIPTION			
BNC TWIN PLUG (FOR RG-108A/U CABLE)			
PART NO.		162108B	
DWG. NO.	162108B.DWG	REV.	A
SIZE	A	SCALE	NA