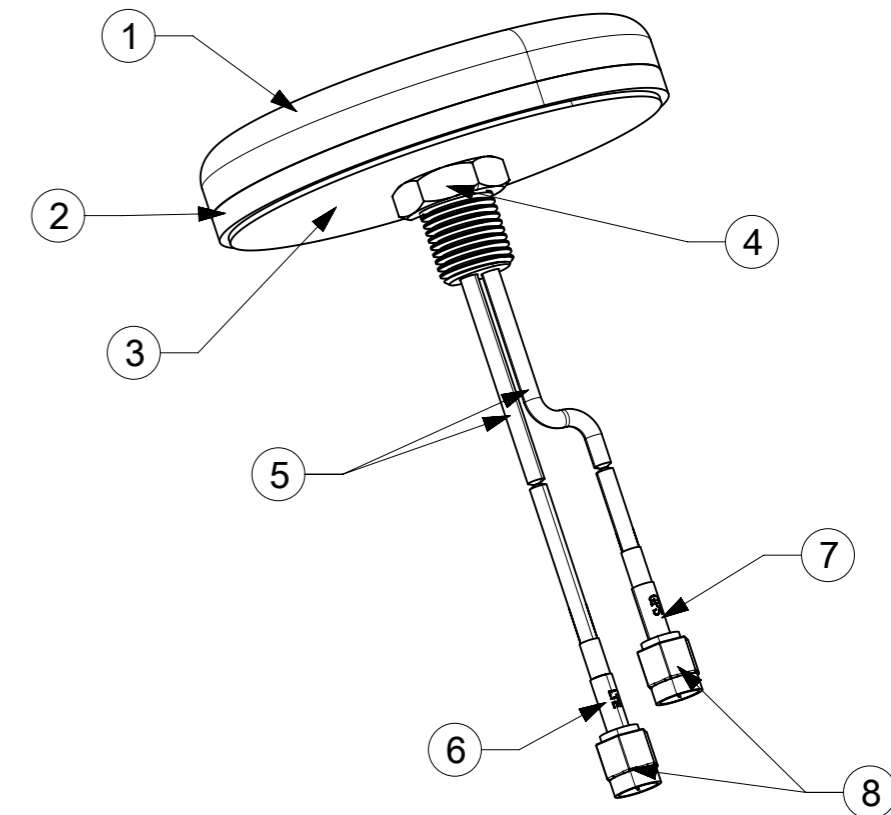
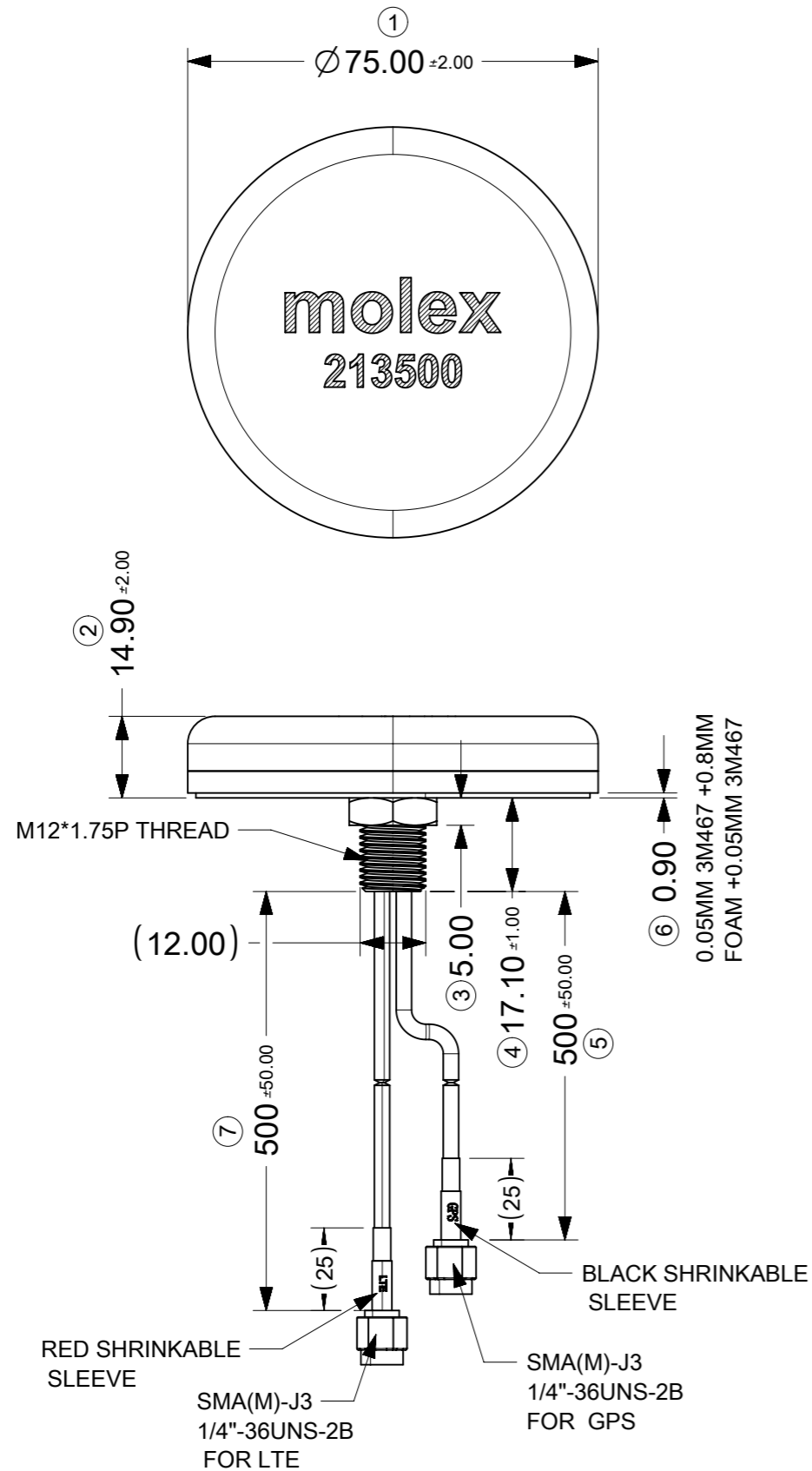


Notes

1. MATERIAL: REFER TO TABLES.
2. PACKAGE SPEC. REFER TO PK OF 2135000500.
3. PRODUCT SPEC. REFER TO PS OF 2135000500.
4. APPLICATION SPEC. REFER TO AS OF 2135000500.

REV	CHANGE HISTORY	DATE
A	FIRST RELEASE	20191016



ITEM	COMPONENTS	MATERIAL	FINISH	QTY
1	HOUSING TOP	ABS757	BLACK	1
2	HOUSING BOTTOM WITH M12*1.75P THREAD	ABS757	BLACK	1
3	ADHESIVE+FOAM+ADHESIVE	3M467+FOAM+3M467	LINER YELLOW	1
4	M12 * 1.75P NUT L5 MM	BRASS H62	YELLOW	1
5	RF CABLE	RG174 ATTENUATION:1.3dB/m	BLACK	2
6	HEAT SHRINK TUBE FOR LTE	EVA	RED	1
7	HEAT SHRINK TUBE FOR GPS	EVA	BLACK	1
8	SMA(M)-J3-ST	BRASS H62+PTFE	GOLD	2

THIS DRAWING CONTAINS INFORMATION THAT IS PROPRIETARY TO MOLEX ELECTRONIC TECHNOLOGIES, LLC AND SHOULD NOT BE USED WITHOUT WRITTEN PERMISSION

SYMBOLS	DIMENSION UNITS	SCALE	CURRENT REV DESC:	molex
$\nabla = 0$	mm		EC NO: 626797	
$\nabla = 0$	GENERAL TOLERANCES (UNLESS SPECIFIED)		DRWN: CZHOU05 2019/10/17	LTE/GPS 2-IN-1 ANTENNA_SCREW MOUNT
$\nabla = 0$	ANGULAR TOL \pm °		CHK'D: KCHENG06 2019/11/05	
$\nabla = 0$	4 PLACES	\pm	APPR: KCHENG06 2019/11/05	PRODUCT CUSTOMER DRAWING
$\nabla = 0$	3 PLACES	± 0.15	INITIAL REVISION:	DOCUMENT NUMBER
$\nabla = 0$	2 PLACES	± 0.2	DRWN: CZHOU05 2019/10/17	2135000500
$\nabla = 0$	1 PLACE	± 0.3	APPR: KCHENG06 2019/11/05	DOC TYPE
$\nabla = 0$	0 PLACES	\pm		PSD
$\nabla = 0$	DRAFT WHERE APPLICABLE MUST REMAIN WITHIN DIMENSIONS		THIRD ANGLE PROJECTION	DOC PART
$\nabla = 0$			DRAWING	SD
			SERIES	REVISION
			A3-SIZE	A
			213500	
			MATERIAL NUMBER	SHEET NUMBER
			SEE TABLES	1 OF 1