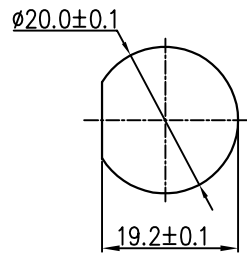
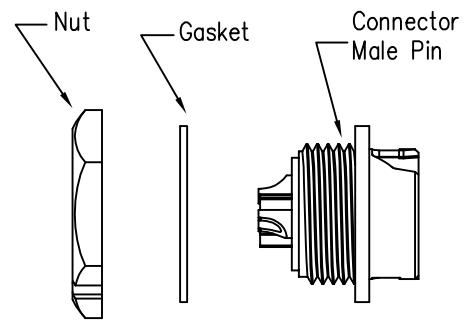
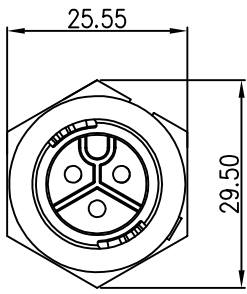
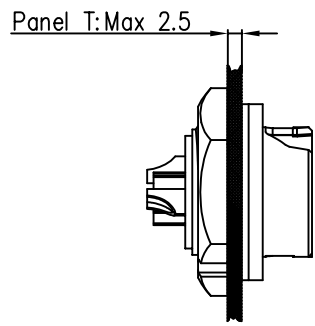
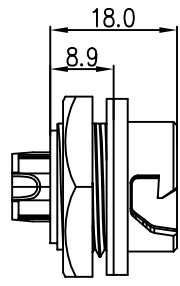


REV.	ECN NO.	DESCRIPTION	SIGN	DATE
C1	N/A	INITIAL DRAWING	Liu	2020/05/16



Recommended Panel Cut-Out



23XXX535-03
Pin Number

2 Pin	3 Pin
P/N: 23002535-03	P/N: 23003535-03
Pin Assignments Front View	

- Specification:
- 1.Operation Temperature: $-45^{\circ}\text{C} \sim 105^{\circ}\text{C}$.
 - 2.Insulation Resistance: $100\text{M}\Omega$ at DC500V.
 - 3.Contact Resistance: $<10\text{m}\Omega$.
 - 4.Withstand Voltage: 2000V AC
 - 5.Operating Current: 20A
 - 6.Operating Voltage: AC 300V
 - 7.Waterproof Rate: IP67 (Mated)
 - 8.Housing: Nylon, Black
 - 9.Male Pin: Copper Alloy, Gold Plated
 - 10.Gasket: Silicon Gray
 - 11.Panel Nut: Nylon, Orange
 - 12.Torque Rate: $0.8 \sim 1.0\text{N} \cdot \text{m}$
 - 13.RoHS Compliant.
 - 14.UL Compliant.
 - 15.Mating Cap P/N: 806-00103-00

UNIT:mm		DESCRIPTION	CHOGORI		PART NO	23XXX535-03	DRAWN BY	Liu	DATE	2020/05/16		
TOLERANCE		Middle Series Push Lock Rear Mount With Male Pin			SCALE	1:1	DWG NO		CHECKED BY	Mo	DATE	2020/05/16
.X	± 0.25	REVISION			C1	SHEET	1 OF 1	CUSTOMER	APPROVED BY	Adley	DATE	2020/05/16
.XX	± 0.15	SIZE	A4	* : Inspection Item								
.XXX	± 0.05											
ANGLES	$\pm 1^{\circ}$											

THIS INFORMATION IS CONFIDENTIAL AND IS DISCLOSED TO YOU ON CONDITION THAT NO FURTHER DISCLOSURE IS MADE BY YOU TO OTHER THAN CHOGORI PERSONNEL WITHOUT AUTHORIZATION FROM CHOGORI CORP.