

PRODUCT CHANGE NOTIFICATION

#PCN-TT-KZPC-14

Business Unit	Product Line Code	Type of Change	Action	Date of issue
TT	CL3	Aesthetic	Notify Distributors and Field	5/29/2014

The following Phoenix Contact products have been modified. Existing specifications will be met or exceeded. Please review and acknowledge this document and inform your personnel as needed.

Description of Change:

1. The dimensions of the housing will change as follows:
Current (H x W x D): 38 x 26.1 x 60mm
New (H x W x D): 39.6 x 22 x 63.9mm
2. Additionally, a ring lug and a M8 screw will be added.

Warranty Information:

N/A

Stock Status

Can existing stock still be used? Y

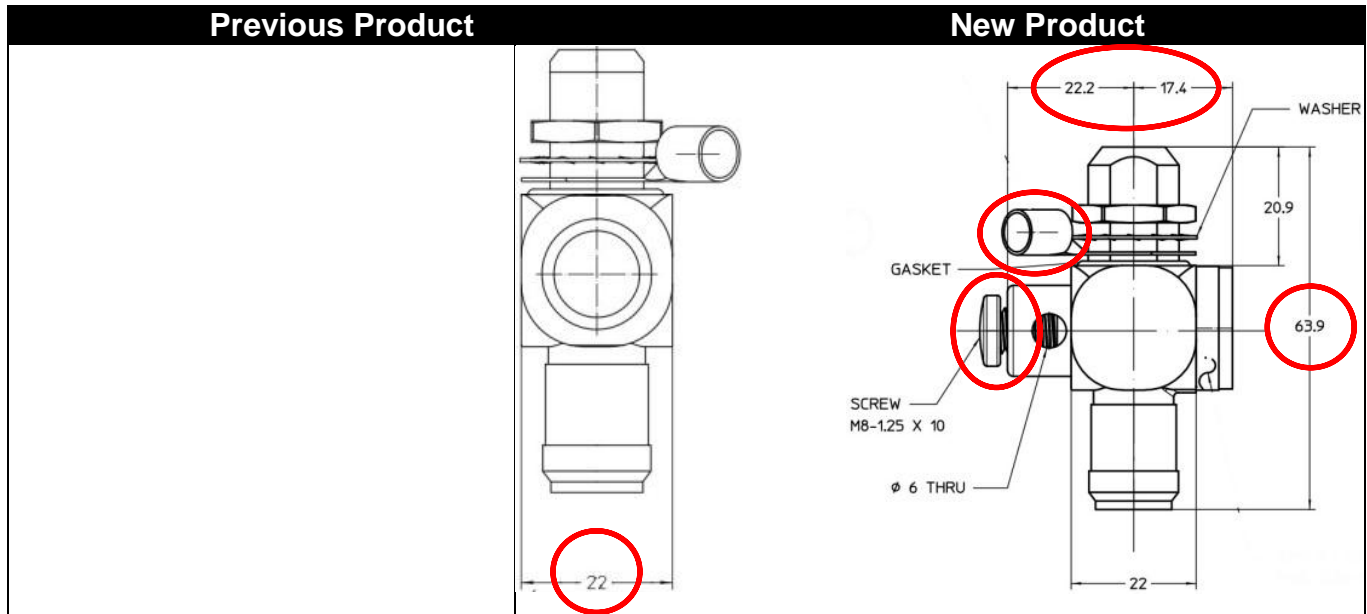
Is mixture of stock acceptable? N

Transaction Dates:

Date modification goes into effect from Germany: 4/28/2014

Expected first shipment (from Phoenix Contact) of the modified product(s): Sept. 2014

PRODUCT CHANGE NOTIFICATION



Should you have any issues with the timeline or content of this change, please contact Phoenix Contact using the contact information below. Customers should acknowledge receipt of the PCN within 30 days of delivery of the PCN; provided, however that the failure to acknowledge receipt does not affect the product change or the effective date thereof.

Contact Info:

Matt Hemphill
mhemphill@phoenixcon.com
(717) 944-1300 x3367

Thank you,



Surge and Overcurrent Protection, Product Marketing Manager

Part#	Type Description
2838490	CN-LAMBDA/4-5.9-BB