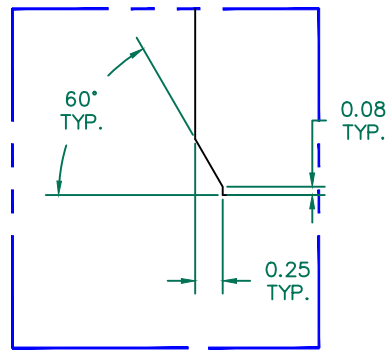


SEE DETAIL "A"



DETAIL "A"
SCALE: 15 : 1

FERRITE CORE DIMENSIONS (SPEC):

A	18.80 [.740]	+ 0.30 [.012]
B	6.60 [.260]	+ 0.30 [.012]
C	9.53 [.375]	+ 0.30 [.012]
D	3.30 [.130]	+ 0.20 [.008]
E	4.06 [.160]	Ref.

SCALE DRAWING 1:1

28N0740-000

ELECTRICAL TESTING

TEST	NET Z	NET Z
# TURNS	1 LOOP	1 LOOP
AWG	24	24
FREQUENCY	25 MHz	100 MHz
NOMINAL	56 Ω	86 Ω
MINIMUM	-	68 Ω

NOTES:

1. Cosmetic specification refer to WI-QA-015.
2. TEST Z WITH ONE TURN PASS THROUGH 1ST HOLE.
3. PARTS TO BE TUMBLED FOR REMOVE SHARP EDGES.

DIMENSIONS ARE IN mm [INCHES].				This print is the property of Laird Tech. and is loaned in confidence subject to return upon request and with the understanding that no copies shall be made without the written consent of Laird Tech. All rights to design or invention are reserved.			
						PROJECT/PART NUMBER: 28N0740-000	REV A
				DATE: 03/15/2019	SCALE: NTS	MATERIAL: FERRITE	
				CAD # 28N0740-000-A	TOOL # 3:1		
REV	DESCRIPTION	DATE	INT				
A	NEW RELEASE	06/20/14	Jcai				