



Circuit breaker size S2 for starter combination Rated current 17 A N-release 260 A screw terminal Standard switching capacity

<b>product brand name</b>	SIRIUS
<b>product designation</b>	Circuit breaker
<b>design of the product</b>	For starter combinations
<b>product type designation</b>	3RV2
<b>General technical data</b>	
<b>size of the circuit-breaker</b>	S2
<b>size of contactor can be combined company-specific</b>	S2
product extension auxiliary switch	Yes
<b>power loss [W] for rated value of the current</b>	
• at AC in hot operating state	14.5 W
• at AC in hot operating state per pole	4.8 W
insulation voltage with degree of pollution 3 at AC rated value	690 V
<b>surge voltage resistance rated value</b>	6 kV
shock resistance according to IEC 60068-2-27	25g / 11 ms Sinus
<b>mechanical service life (switching cycles)</b>	
• of the main contacts typical	50 000
• of auxiliary contacts typical	50 000
electrical endurance (switching cycles) typical	50 000
<b>reference code according to IEC 81346-2</b>	Q
<b>Substance Prohibition (Date)</b>	10/15/2014
<b>Ambient conditions</b>	
installation altitude at height above sea level maximum	2 000 m
<b>ambient temperature</b>	
• during operation	-20 ... +60 °C
• during storage	-50 ... +80 °C
• during transport	-50 ... +80 °C
relative humidity during operation	10 ... 95 %
<b>Main circuit</b>	
<b>number of poles for main current circuit</b>	3
<b>operating voltage</b>	
• rated value	20 ... 690 V
• at AC-3 rated value maximum	690 V
• at AC-3e rated value maximum	690 V
<b>operating frequency rated value</b>	50 ... 60 Hz
<b>operational current rated value</b>	17 A
<b>operational current</b>	
• at AC-3 at 400 V rated value	17 A
• at AC-3e at 400 V rated value	17 A

<b>operating power</b>	
<ul style="list-style-type: none"> <li>● at AC-3 <ul style="list-style-type: none"> <li>— at 230 V rated value</li> <li>— at 400 V rated value</li> <li>— at 500 V rated value</li> <li>— at 690 V rated value</li> </ul> </li> <li>● at AC-3e <ul style="list-style-type: none"> <li>— at 230 V rated value</li> <li>— at 400 V rated value</li> <li>— at 500 V rated value</li> <li>— at 690 V rated value</li> </ul> </li> </ul>	<p>4 kW</p> <p>7.5 kW</p> <p>7.5 kW</p> <p>15 kW</p> <p>4 kW</p> <p>7.5 kW</p> <p>7.5 kW</p> <p>15 kW</p>
<b>operating frequency</b>	
<ul style="list-style-type: none"> <li>● at AC-3 maximum</li> <li>● at AC-3e maximum</li> </ul>	<p>15 1/h</p> <p>15 1/h</p>
<b>Auxiliary circuit</b>	
<b>number of NC contacts for auxiliary contacts</b>	0
<b>number of NO contacts for auxiliary contacts</b>	0
<b>Protective and monitoring functions</b>	
<b>product function</b>	
<ul style="list-style-type: none"> <li>● ground fault detection</li> <li>● phase failure detection</li> </ul>	<p>No</p> <p>No</p>
<b>breaking capacity maximum short-circuit current (I<sub>cu</sub>)</b>	
<ul style="list-style-type: none"> <li>● at AC at 240 V rated value</li> <li>● at AC at 400 V rated value</li> <li>● at AC at 500 V rated value</li> <li>● at AC at 690 V rated value</li> </ul>	<p>100 kA</p> <p>65 kA</p> <p>12 kA</p> <p>5 kA</p>
<b>breaking capacity operating short-circuit current (I<sub>cs</sub>) at AC</b>	
<ul style="list-style-type: none"> <li>● at 240 V rated value</li> <li>● at 400 V rated value</li> <li>● at 500 V rated value</li> <li>● at 690 V rated value</li> </ul>	<p>100 kA</p> <p>30 kA</p> <p>6 kA</p> <p>3 kA</p>
response value current of instantaneous short-circuit trip unit	260 A
<b>UL/CSA ratings</b>	
<b>full-load current (FLA) for 3-phase AC motor</b>	
<ul style="list-style-type: none"> <li>● at 480 V rated value</li> <li>● at 600 V rated value</li> </ul>	<p>17 A</p> <p>17 A</p>
<b>yielded mechanical performance [hp]</b>	
<ul style="list-style-type: none"> <li>● for single-phase AC motor <ul style="list-style-type: none"> <li>— at 110/120 V rated value</li> <li>— at 230 V rated value</li> </ul> </li> <li>● for 3-phase AC motor <ul style="list-style-type: none"> <li>— at 200/208 V rated value</li> <li>— at 220/230 V rated value</li> <li>— at 460/480 V rated value</li> <li>— at 575/600 V rated value</li> </ul> </li> </ul>	<p>1.5 hp</p> <p>3 hp</p> <p>5 hp</p> <p>7.5 hp</p> <p>15 hp</p> <p>15 hp</p>
<b>Short-circuit protection</b>	
<b>product function short circuit protection</b>	Yes
<b>design of the short-circuit trip</b>	magnetic
<b>design of the fuse link for IT network for short-circuit protection of the main circuit</b>	
<ul style="list-style-type: none"> <li>● at 240 V</li> <li>● at 400 V</li> <li>● at 500 V</li> <li>● at 690 V</li> </ul>	<p>none required</p> <p>100</p> <p>80</p> <p>63</p>
<b>Installation/ mounting/ dimensions</b>	
<b>mounting position</b>	any
<b>fastening method</b>	screw and snap-on mounting onto 35 mm standard mounting rail according to DIN EN 60715

<b>height</b>	140 mm
<b>width</b>	55 mm
<b>depth</b>	149 mm
<b>required spacing</b>	
<ul style="list-style-type: none"> <li>● for grounded parts at 400 V <ul style="list-style-type: none"> <li>— downwards 50 mm</li> <li>— upwards 50 mm</li> <li>— at the side 10 mm</li> </ul> </li> <li>● for live parts at 400 V <ul style="list-style-type: none"> <li>— downwards 50 mm</li> <li>— upwards 50 mm</li> <li>— at the side 10 mm</li> </ul> </li> <li>● for grounded parts at 500 V <ul style="list-style-type: none"> <li>— downwards 50 mm</li> <li>— upwards 50 mm</li> <li>— at the side 10 mm</li> </ul> </li> <li>● for live parts at 500 V <ul style="list-style-type: none"> <li>— downwards 50 mm</li> <li>— upwards 50 mm</li> <li>— at the side 10 mm</li> </ul> </li> <li>● for grounded parts at 690 V <ul style="list-style-type: none"> <li>— downwards 50 mm</li> <li>— upwards 50 mm</li> <li>— backwards 0 mm</li> <li>— at the side 10 mm</li> <li>— forwards 0 mm</li> </ul> </li> <li>● for live parts at 690 V <ul style="list-style-type: none"> <li>— downwards 50 mm</li> <li>— upwards 50 mm</li> <li>— backwards 0 mm</li> <li>— at the side 10 mm</li> <li>— forwards 0 mm</li> </ul> </li> </ul>	

### Connections/ Terminals

<b>type of electrical connection</b>	
<ul style="list-style-type: none"> <li>● for main current circuit</li> </ul>	screw-type terminals
<b>arrangement of electrical connectors for main current circuit</b>	Top and bottom
<b>type of connectable conductor cross-sections</b>	
<ul style="list-style-type: none"> <li>● for main contacts <ul style="list-style-type: none"> <li>— solid or stranded 2x (1 ... 25 mm<sup>2</sup>), 1x (1 ... 35 mm<sup>2</sup>)</li> <li>— finely stranded with core end processing 2x (1 ... 16 mm<sup>2</sup>), 1x (1 ... 25 mm<sup>2</sup>)</li> </ul> </li> <li>● at AWG cables for main contacts 2x (18 ... 3), 1x (18 ... 2)</li> </ul>	
<b>tightening torque</b>	
<ul style="list-style-type: none"> <li>● for main contacts with screw-type terminals</li> </ul>	3 ... 4.5 N·m
<b>design of screwdriver shaft</b>	Diameter 5 to 6 mm
<b>size of the screwdriver tip</b>	Pozidriv size 2
<b>design of the thread of the connection screw</b>	
<ul style="list-style-type: none"> <li>● for main contacts</li> </ul>	M6

### Safety related data

<b>B10 value</b>	
<ul style="list-style-type: none"> <li>● with high demand rate according to SN 31920</li> </ul>	5 000
<b>proportion of dangerous failures</b>	
<ul style="list-style-type: none"> <li>● with low demand rate according to SN 31920</li> <li>● with high demand rate according to SN 31920</li> </ul>	50 % 50 %
<b>failure rate [FIT]</b>	
<ul style="list-style-type: none"> <li>● with low demand rate according to SN 31920</li> </ul>	50 FIT
T1 value for proof test interval or service life according to IEC 61508	10 y
<b>protection class IP on the front according to IEC 60529</b>	IP20
<b>touch protection on the front according to IEC 60529</b>	finger-safe, for vertical contact from the front

## Certificates/ approvals

## General Product Approval



[Confirmation](#)



[KC](#)



## Declaration of Conformity

## Test Certificates

## Marine / Shipping



EG-Konf.

[Special Test Certificate](#)

[Type Test Certificates/Test Report](#)



ABS



BUREAU  
VERITAS

## Marine / Shipping

## other



DNV



LRS



PRS



RINA



RMRS

[Confirmation](#)

## other

## Railway



VDE

[Confirmation](#)

[Vibration and Shock](#)

## Further information

Information- and Downloadcenter (Catalogs, Brochures,...)

<https://www.siemens.com/ic10>

Industry Mall (Online ordering system)

<https://mall.industry.siemens.com/mall/en/en/Catalog/product?mlfb=3RV2331-4TC10>

Cax online generator

<http://support.automation.siemens.com/WW/CAXorder/default.aspx?lang=en&mlfb=3RV2331-4TC10>

Service&Support (Manuals, Certificates, Characteristics, FAQs,...)

<https://support.industry.siemens.com/cs/ww/en/ps/3RV2331-4TC10>

Image database (product images, 2D dimension drawings, 3D models, device circuit diagrams, EPLAN macros, ...)

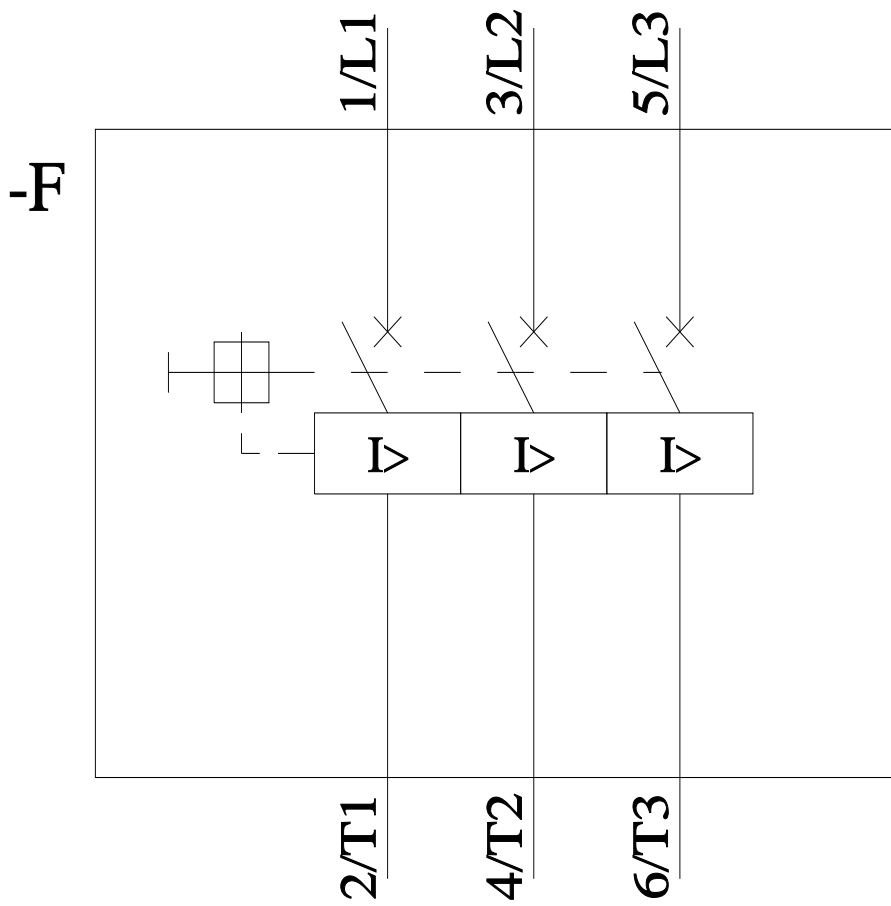
[http://www.automation.siemens.com/bilddb/cax\\_de.aspx?mlfb=3RV2331-4TC10&lang=en](http://www.automation.siemens.com/bilddb/cax_de.aspx?mlfb=3RV2331-4TC10&lang=en)

Characteristic: Tripping characteristics, I<sup>2</sup>t, Let-through current

<https://support.industry.siemens.com/cs/ww/en/ps/3RV2331-4TC10/char>

Further characteristics (e.g. electrical endurance, switching frequency)

<http://www.automation.siemens.com/bilddb/index.aspx?view=Search&mlfb=3RV2331-4TC10&objecttype=14&gridview=view1>



last modified:

6/25/2022 