

4-2302461-1 ✓ ACTIVE

TE Internal #: 4-2302461-1

Data Connectivity Housings, Housing for Female Terminals, A, Wire-to-Board, 1 Position, Crimp, Cable Type UTP, Cable Mount (Free-Hanging)

[View on TE.com >](#)



Connectors > Automotive Connectors > Data Connectivity Systems > Data Connectivity Housings



Connector & Housing Type: **Housing for Female Terminals**

Mating Tab Width: **.5 mm [.019 in]**

Mating Tab Thickness: **.4 mm [.015 in]**

Connector & Keying Code: **A**

Connector System: **Wire-to-Board**

Features

Product Type Features

Connector & Housing Type	Housing for Female Terminals
Connector System	Wire-to-Board

Configuration Features

Number of Positions	1
---------------------	---

Body Features

Connector & Keying Code	A
-------------------------	---

Contact Features

Mating Tab Width	.5 mm [.019 in]
Mating Tab Thickness	.4 mm [.015 in]

Termination Features

Termination Method to Wire & Cable	Crimp
------------------------------------	-------

Mechanical Attachment

Connector Mounting Type	Cable Mount (Free-Hanging)
-------------------------	----------------------------

Usage Conditions



Operating Temperature (Max)	105 °C[221 °F]
Cable Type	UTP
Operating Temperature Range	-40 – 105 °C[-40 – 221 °F]

Industry Standards

Agency/Standard	LV 214
IP Rating	IP40

Product Compliance

[For compliance documentation, visit the product page on TE.com>](#)

EU RoHS Directive 2011/65/EU	Compliant
EU ELV Directive 2000/53/EC	Compliant
China RoHS 2 Directive MIIT Order No 32, 2016	No Restricted Materials Above Threshold
EU REACH Regulation (EC) No. 1907/2006	Current ECHA Candidate List: JAN 2023 (233) Not Yet Reviewed
Halogen Content	Low Halogen - Br, Cl, F, I < 900 ppm per homogenous material. Also BFR/CFR/PVC Free
Solder Process Capability	Not reviewed for solder process capability

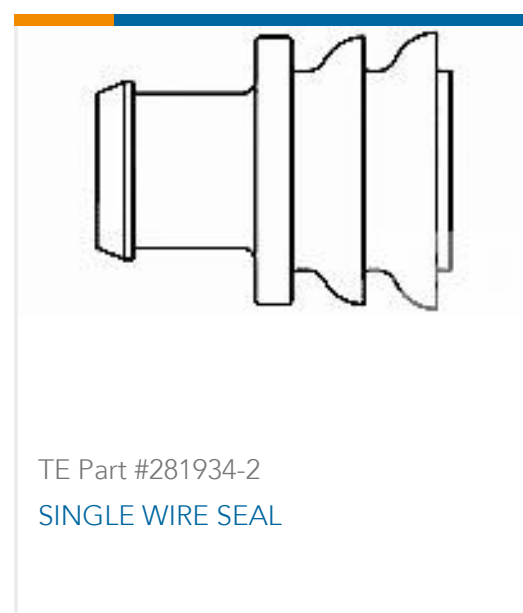
Product Compliance Disclaimer

This information is provided based on reasonable inquiry of our suppliers and represents our current actual knowledge based on the information they provided. This information is subject to change. The part numbers that TE has identified as EU RoHS compliant have a maximum concentration of 0.1% by weight in homogenous materials for lead, hexavalent chromium, mercury, PBB, PBDE, DBP, BBP, DEHP, DIBP, and 0.01% for cadmium, or qualify for an exemption to these limits as defined in the Annexes of Directive 2011/65/EU (RoHS2). Finished electrical and electronic equipment products will be CE marked as required by Directive 2011/65/EU. Components may not be CE marked. Additionally, the part numbers that TE has identified as EU ELV compliant have a maximum concentration of 0.1% by weight in homogenous materials for lead, hexavalent chromium, and mercury, and 0.01% for cadmium, or qualify for an exemption to these limits as defined in the Annexes of Directive 2000/53/EC (ELV). Regarding the REACH Regulations, TE's information on SVHC in articles for this part number is still based on the European Chemical Agency (ECHA) 'Guidance on requirements for substances in articles' (Version: 2, April 2011), applying the 0.1% weight on weight concentration threshold at the finished product level. TE is aware of the European Court of Justice ruling of September 10th, 2015 also known as O5A (Once An Article Always An Article) stating that, in case of 'complex object', the threshold for a SVHC must be applied to both the product as a whole and simultaneously to each of the articles forming part of its composition. TE has evaluated this ruling based on the new ECHA "Guidance on requirements for substances in articles" (June 2017, version 4.0) and will be updating its statements accordingly.

Compatible Parts



Customers Also Bought



Documents

Product Drawings

MATENET INLINE COUPLER, ASSY, COD A

English

CAD Files

Customer View Model

[ENG_CVM_CVM_4-2302461-1_B.3d_stp.zip](#)

English

Customer View Model

[ENG_CVM_CVM_4-2302461-1_B.3d_igs.zip](#)

English

3D PDF

3D

Customer View Model

[ENG_CVM_CVM_4-2302461-1_B.2d_dxf.zip](#)

English

By downloading the CAD file I accept and agree to the [Terms and Conditions](#) of use.



[Product Specifications](#)

[Application Specification](#)

English