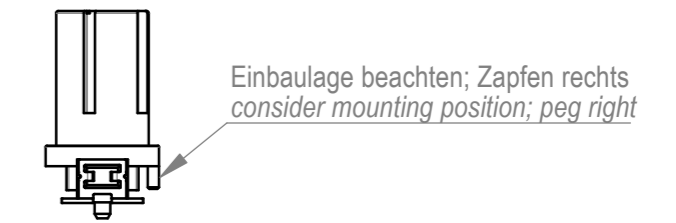
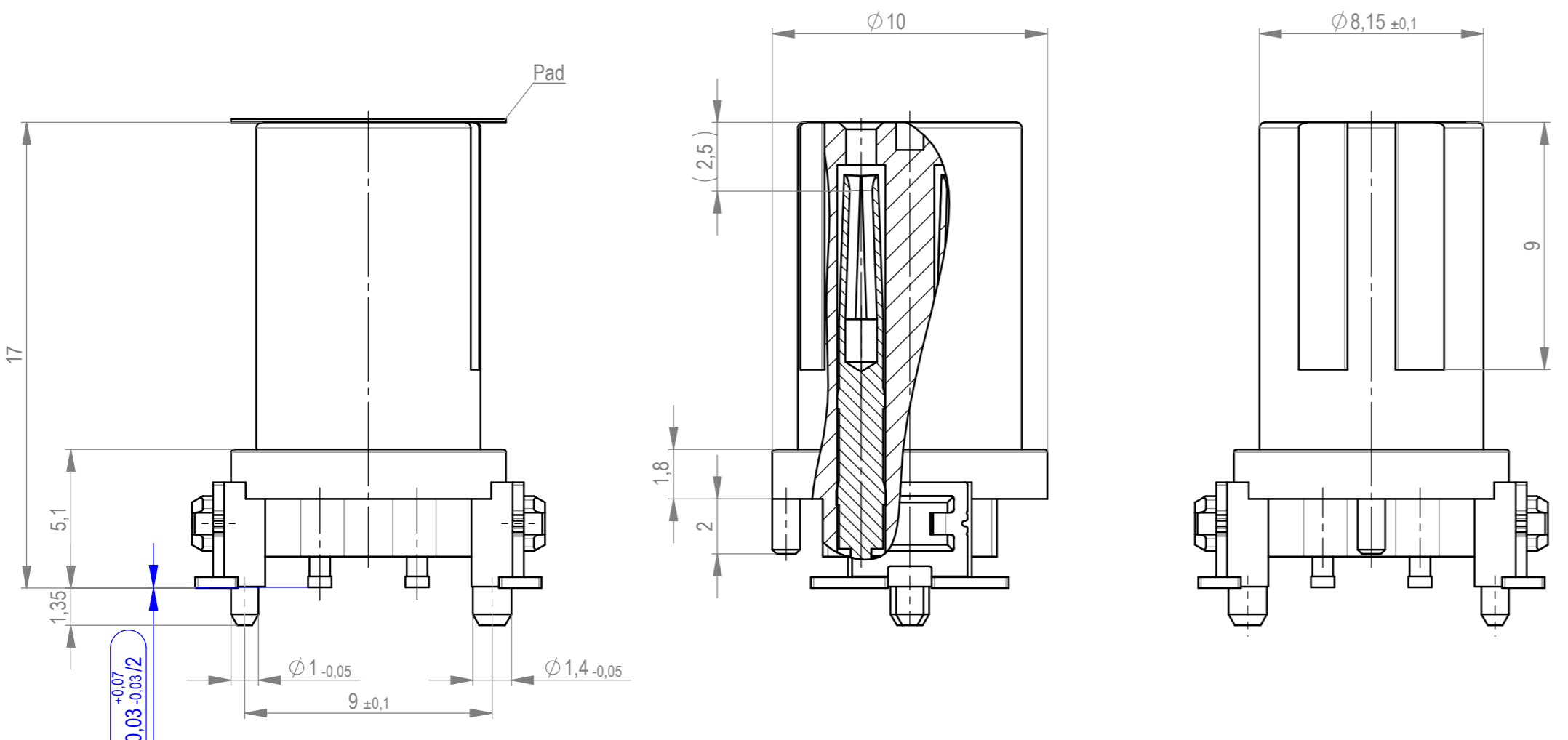
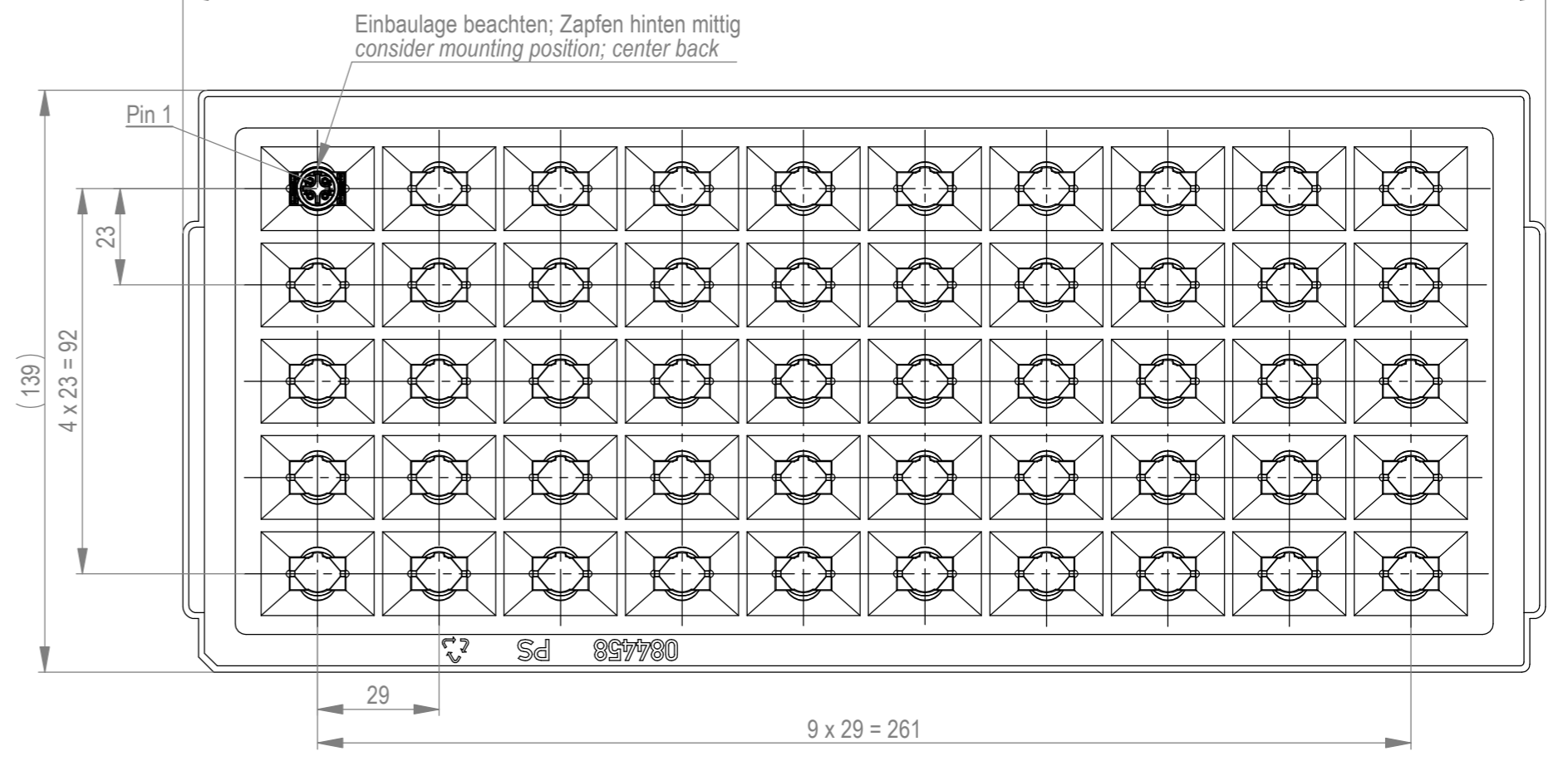
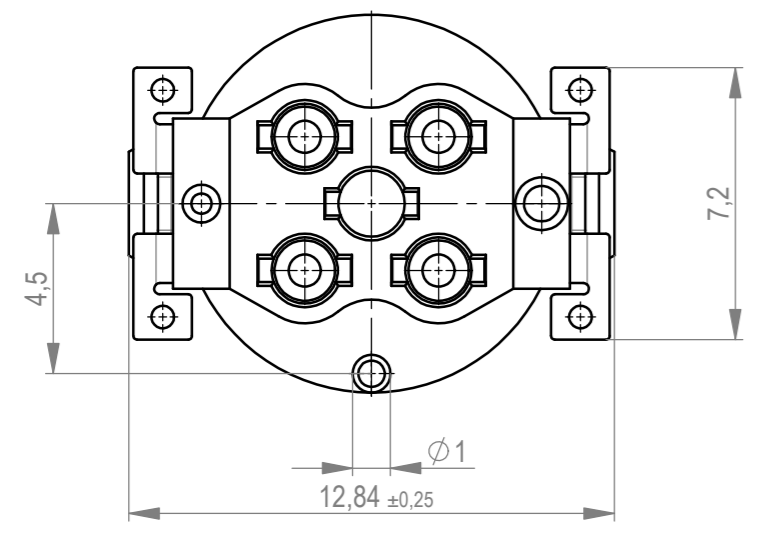
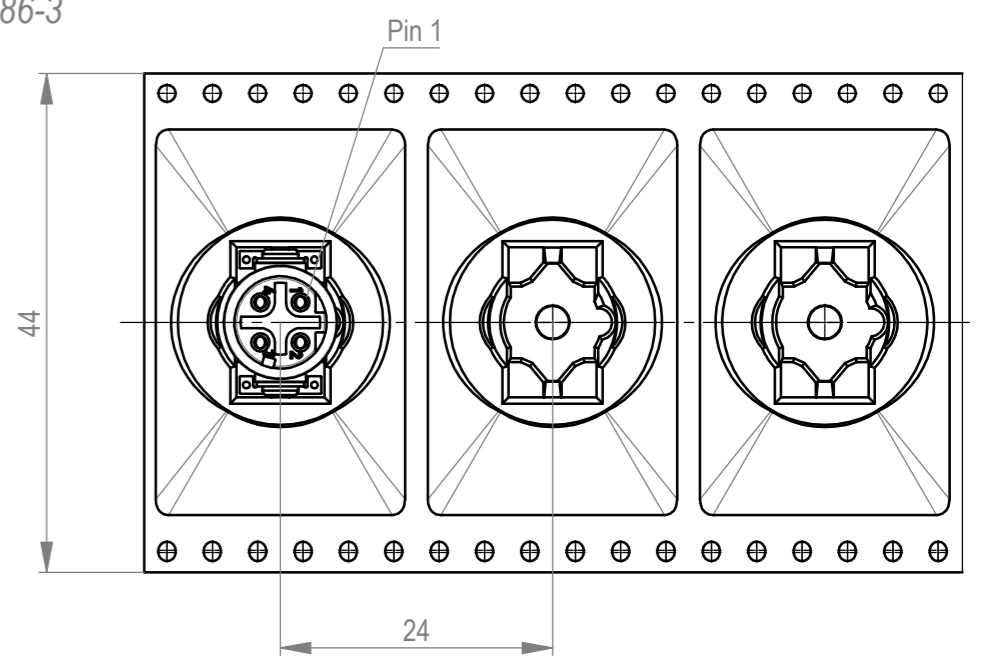
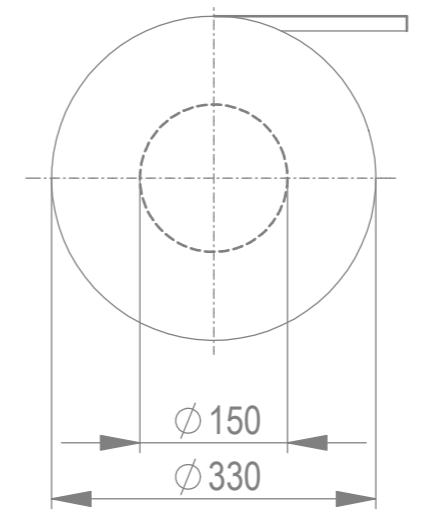


Ⓢ Verpackt im Tray: Verpackungseinheit 50 St.
 tray packaging: packaging unit 50 pcs
 (325)

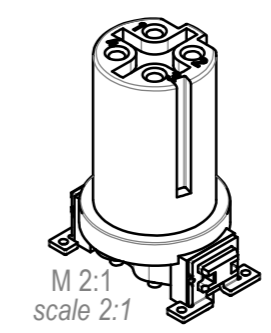
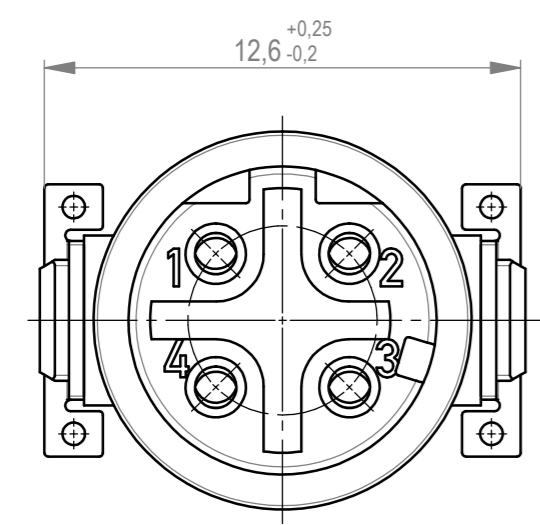
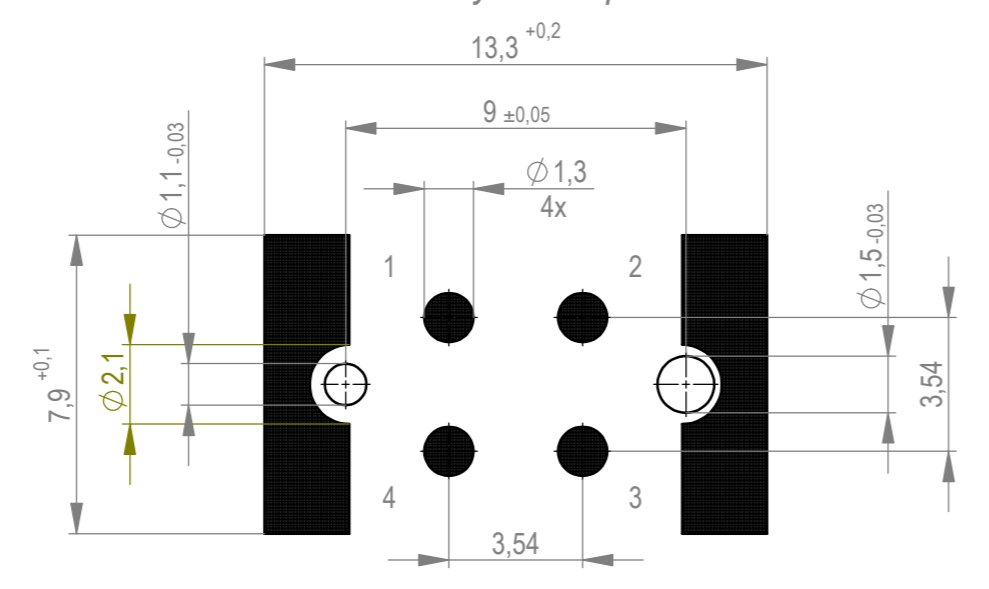


Verpackt im Gurt in Anlehnung an DIN IEC 60286-3
 tape on reel packaging according to DIN IEC 60286-3
 Verpackungseinheit: 100 Stück
 packaging unit: 100 pcs

Abspulrichtung - reel off direction



Layout-Vorschlag
 PCB-Layout Proposal



474665	Gurtverpackung mit Pad tape on reel packaging with pad
364175	Gurtverpackung tape on reel packaging
454466	Trayverpackung tray packaging
Ident-Nr. part-no.	Bemerkung remark

Zeichnung Spezifikation siehe ERNI Dokument 5.3.17
 Drawing Specification according to ERNI Document 5.3.17

Koplanarität aller Clips ≤ 0,1mm
 coplanarity of all clips ≤ 0,1 mm

Dimension no.	Tolerances	Scale	5:1
	ISO 8015	Material	
Customer drawing:	Subject to modification without prior notice. Drawing will not be updated.		
All rights reserved. Only for information. To ensure that this is the latest version of this drawing, please contact one of the ERNI companies before using.	ERNI International AG Zürichstrasse 72 8306 Brüttisellen - Zürich Switzerland		
j	17.02.2020	M12 Circular Connectors Female Connector D Cod 4p 17mm SMT V	
Index	Date	Class	M12
			364176
			I A2

Die deutsche Version dieser Zeichnung dient nur zur Erläuterung der Handlung. Bei Abweichungen vom englischen Original gilt das englische Original. / This drawing has been created for convenience only and may deviate from the original. / In case of any deviation the English version shall prevail. / We reserve the right to change the design without notice. / All rights reserved. / © ERNI International AG 2020.