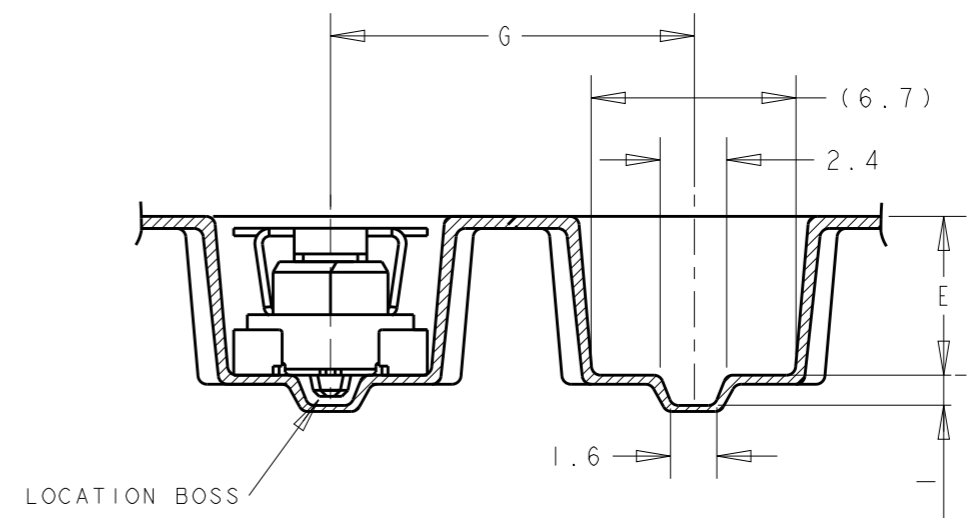
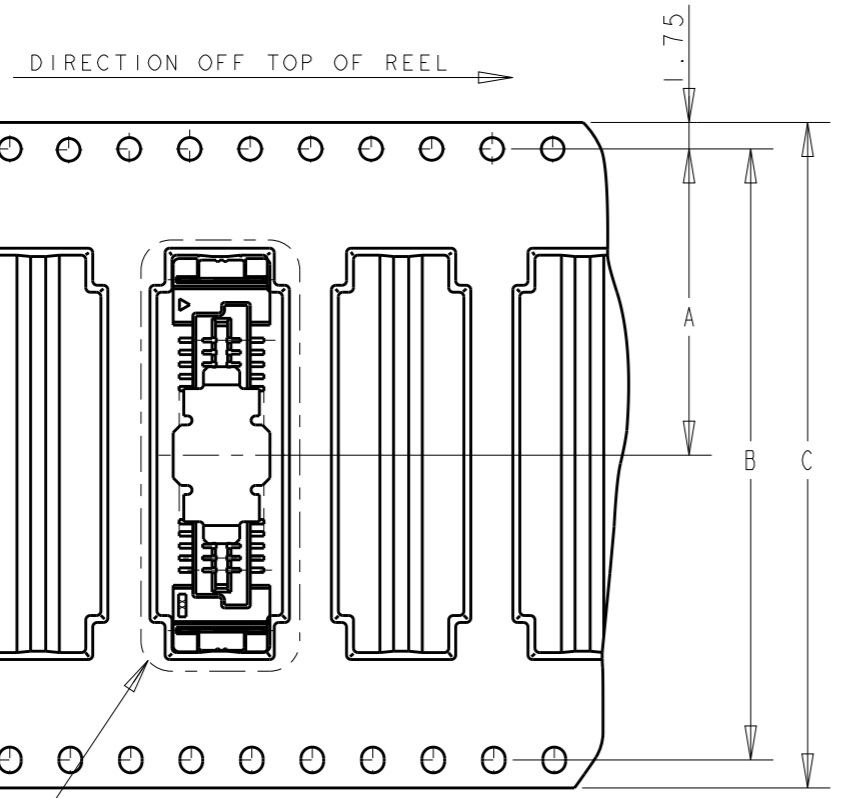


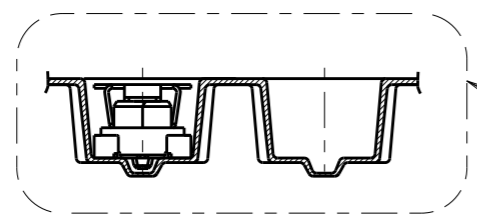
THIS DRAWING IS UNPUBLISHED. RELEASED FOR PUBLICATION .19  
 © COPYRIGHT 19 BY AMP INCORPORATED. ALL RIGHTS RESERVED.

LOC	DIST	REVISIONS					
		P	LTR	DESCRIPTION	DATE	DWN	APVD
DY	-		A	REVISED PER ECO-17-018857	25DEC2017	R.L	H.L



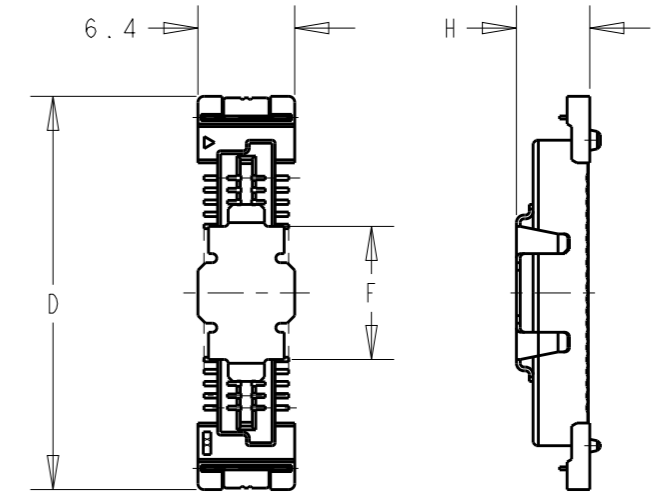
DETAIL A  
(SCALE 4-1)

DETAIL B

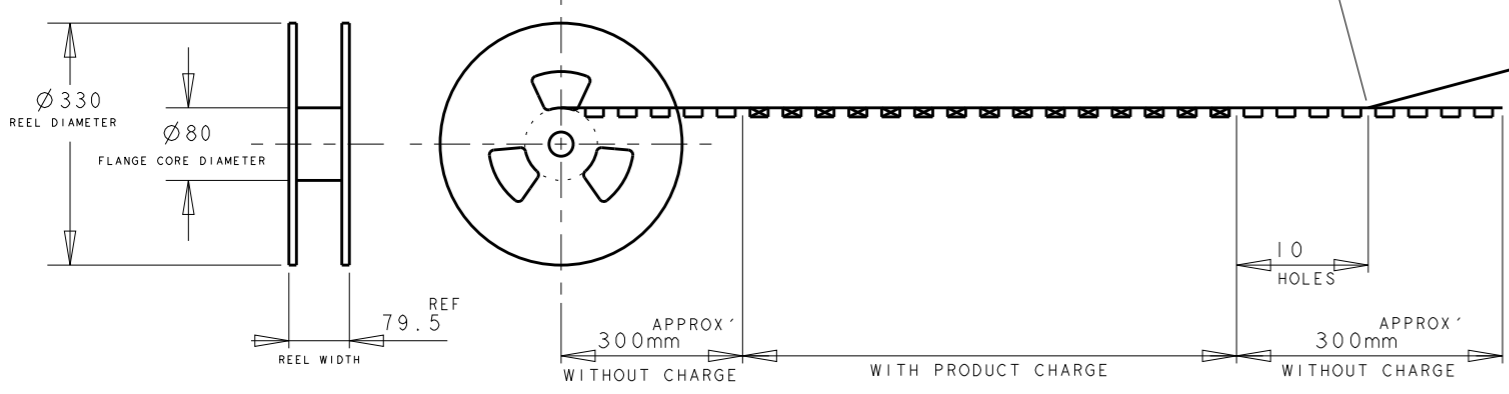


DETAIL A

WEEDING THE COVER TAPE AROUND THE OUTER PERIPHERY IN A TURN.



DETAIL B



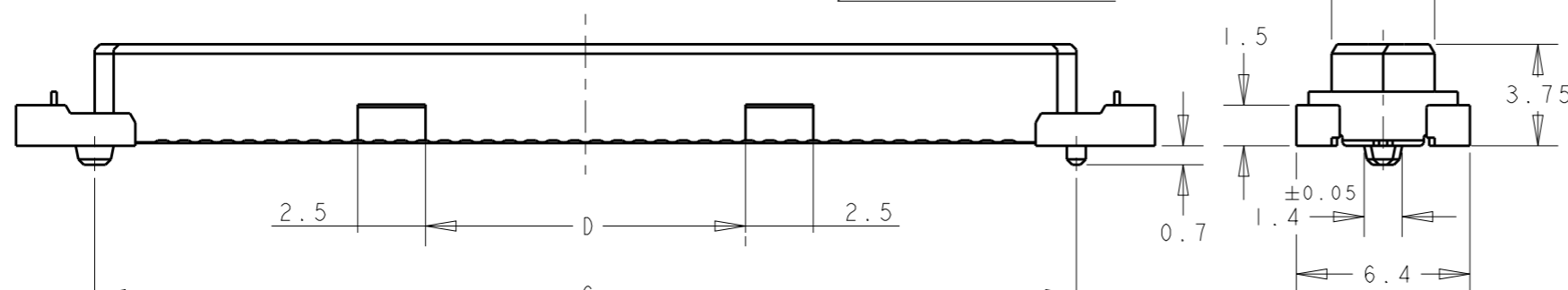
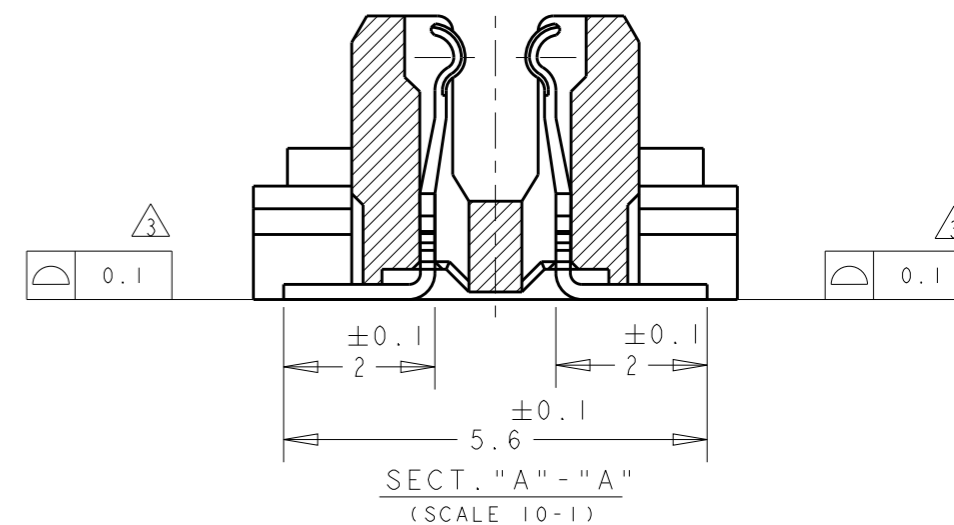
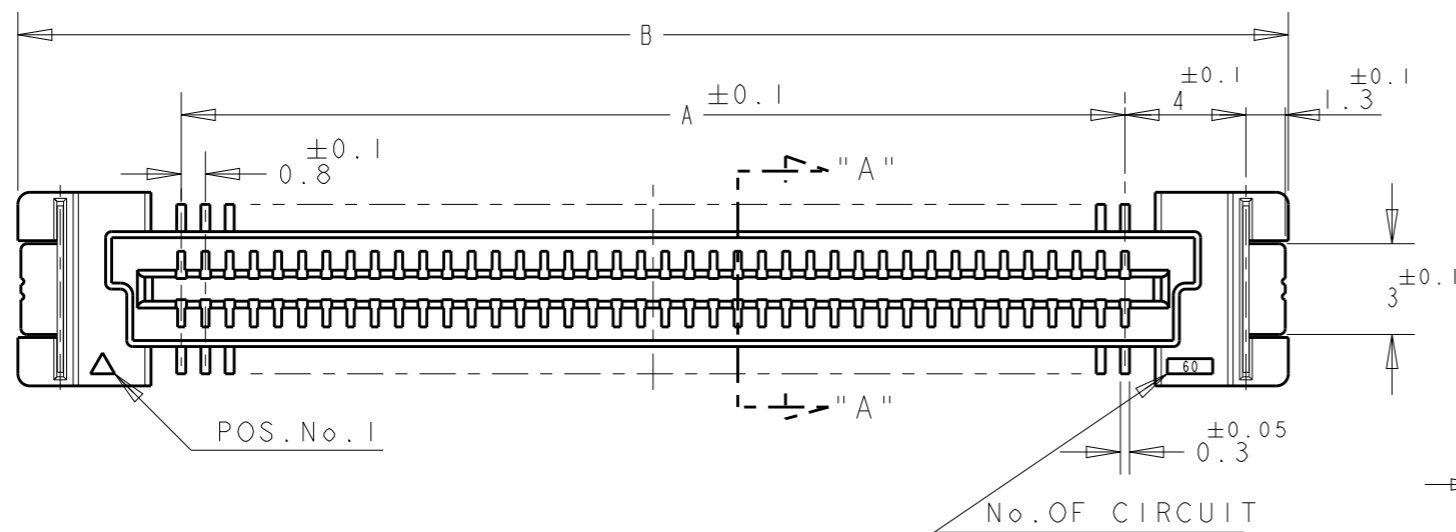
700	4	16	17	4.4	50	72	68.4	34.2	120	-5
4.85	12	8.8	5.25	42	56	52.4	26.2	80	-4	
4.85	12	8.8	5.25	26	44	40.4	20.2	60	-3	
900	4.85	12	8.8	5.25	26	44	40.4	20.2	40	-2
										5179160-1
QYT	H	G	F	E	D	C	B	A	POS	PART NO.

NOTE:  
 1. THIS ITEM IS PRELIMINARY.  
 2. THIS PRODUCT WAS COATED BY FLUX-PENETRATION -INHIBITING AGENT.

Ⓐ ADD CONNECTOR INFORMATION SHEET

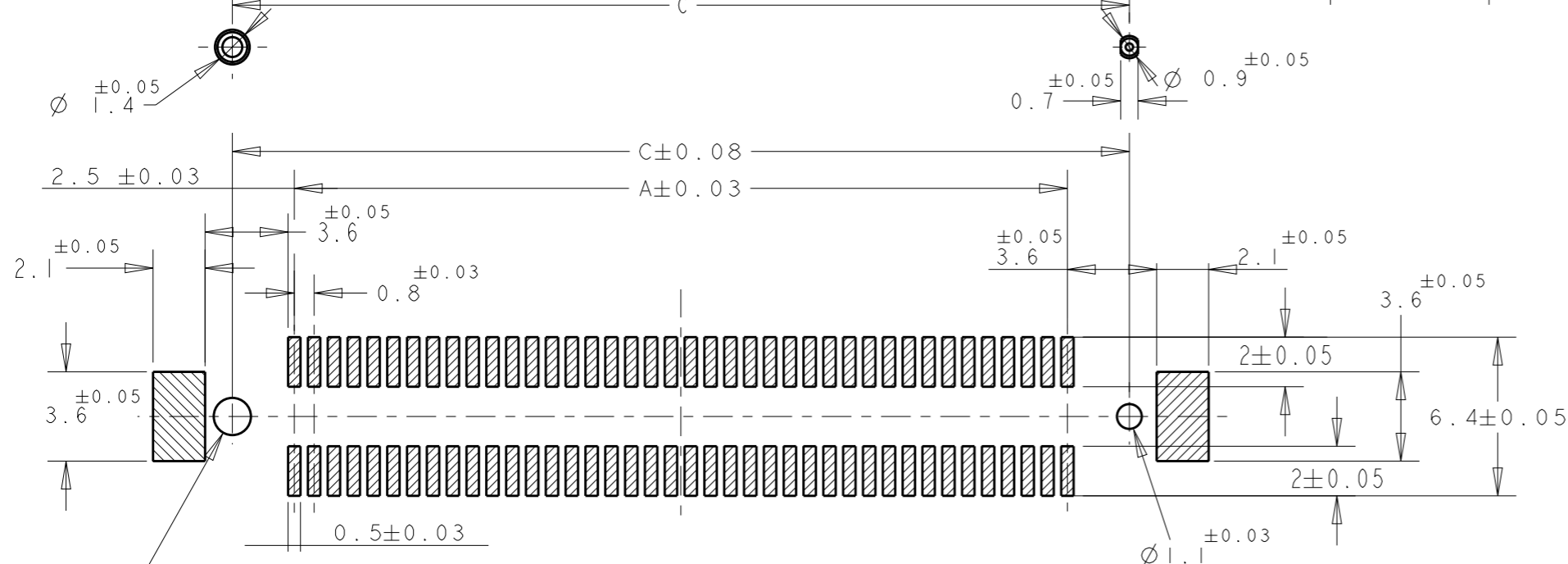
THIS DRAWING IS A CONTROLLED DOCUMENT FOR AMP INCORPORATED. IT IS SUBJECT TO CHANGE AND THE CONTROLLING ENGINEERING ORGANIZATION SHOULD BE CONTACTED FOR THE LATEST REVISION.		DWN WYLEE 01NOV2004	<b>AMP</b> Tyco Electronics Singapore Pte. Ltd.
DIMENSIONS: mm		CHK VINCENT TAN	
TOLERANCES UNLESS OTHERWISE SPECIFIED: 0 PLC ±.3 1 PLC ±0.3 2 PLC ±0.25 3 PLC ±0.2 4 PLC ±. ANGLES ±3°		APVD ERIC ING	NAME REC ASS'Y WITH SOLDER PEG FH 0.8mm B-T-B CONN.
MATERIAL - FINISH -		PRODUCT SPEC -	
		APPLICATION SPEC -	SIZE A3
		WEIGHT -	CAGE CODE 00779
		CUSTOMER DRAWING	DRAWING NO C=5179160
			SCALE - SHEET 1 OF 2 REV A

P	LTR	DESCRIPTION	DATE	DWN	APVD
		SEE SHEET 1			



NOTES:

- 1 MATERIAL; HOUSING: L.C.P. (HIGH TEMP THERMO PLASTIC) UL 94V-0, NATURAL.  
CONTACT : BERYLIUM COPPER.  
SOLDER PEG: BRASS.
- 2 FINISH: CONTACT AREA: 0.0002 MIN GOLD ON  
0.0013 MIN ALL OVER NICKEL.  
SOLDERING AREA: 0.001 MIN MATTE-TIN.
- 3 TINE AND MOUNT METAL HEIGHT SHALL BE 0.1 MAX.
- 4 PRODUCT SPEC: 108-5390



RECOMMENDED P.C. BOARD LAYOUT

12	52.2	58.0	47.2	120	-5
12	44.2	50.0	39.2	100	-4
5	36.2	42.0	31.2	80	-3
5	28.2	34.0	23.2	60	-2
5	20.2	26.0	15.2	40	5179160-1
D	C	B	A	POS.	P/N

THIS DRAWING IS A CONTROLLED DOCUMENT FOR AMP INCORPORATED. IT IS SUBJECT TO CHANGE AND THE CONTROLLING ENGINEERING ORGANIZATION SHOULD BE CONTACTED FOR THE LATEST REVISION.

DIMENSIONS:	TOLERANCES UNLESS OTHERWISE SPECIFIED:
mm	
	0 PLC ±
	1 PLC ±0.3
	2 PLC ±0.25
	3 PLC ±0.2
	4 PLC ±
	ANGLES ±3°
MATERIAL	FINISH
-	-

DWN	WYLEE	01NOV2004
CHK	VINCENT TAN	
APVD	ERIC ING	
PRODUCT SPEC	-	
APPLICATION SPEC	-	
WEIGHT	-	
CUSTOMER DRAWING		

<b>AMP</b> Tyco Electronics Singapore Pte. Ltd.		
NAME REC ASS'Y WITH SOLDER PEG FH 0.8mm B-T-B CONN.		
SIZE	CAGE CODE	DRAWING NO
A3	00779	5179160
SCALE	SHEET	REV
-	2 OF 2	A