

Contact Information

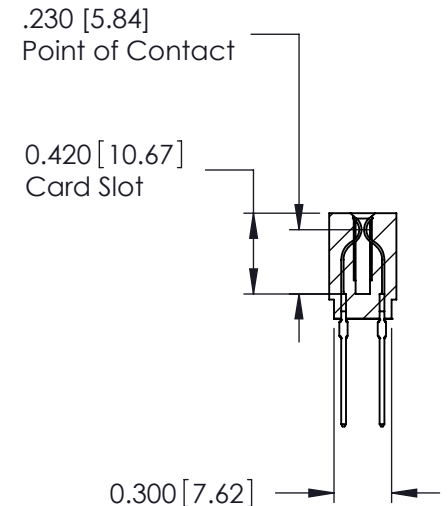
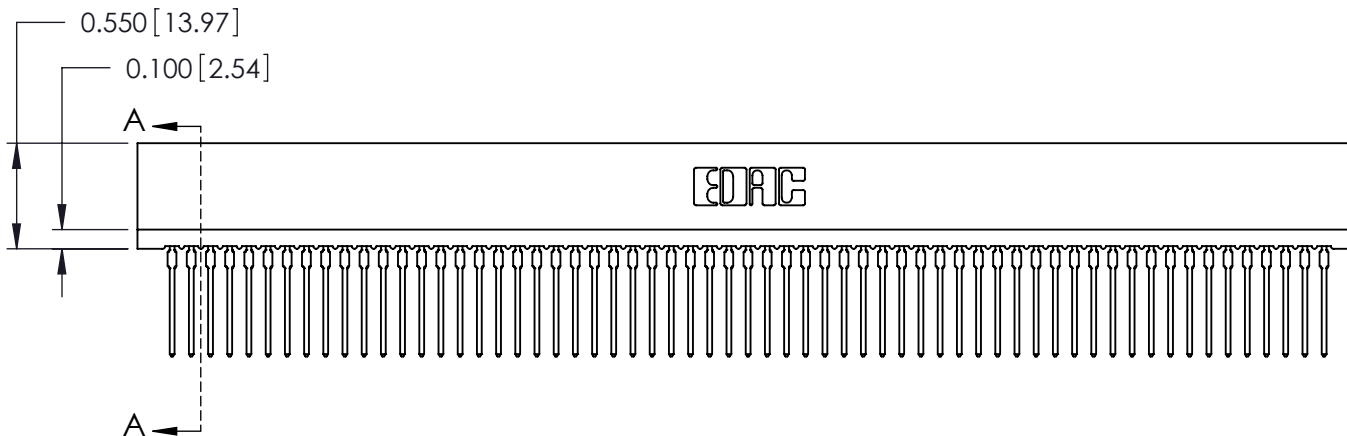
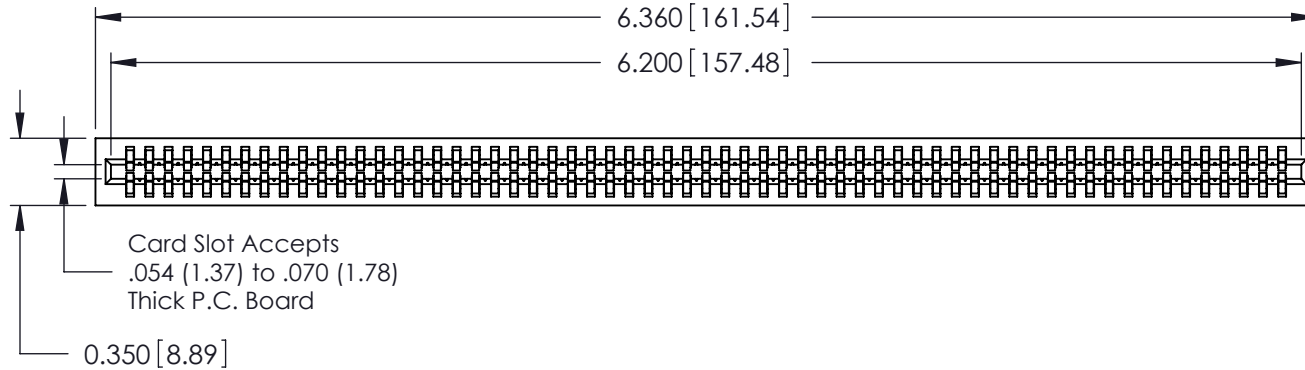
**545-Wire Wrap, High Point - Tail LG.=.560(14.22)
 .100" (2.54mm) Contact Spacing x .200" (5.08mm) Row Spacing**

THIS IS A C.A.D. GENERATED DRAWING
 DO NOT MAKE MANUAL REVISIONS TO MASTER.



ISSUE NUMBER

ORIGINAL ①



| | | |
|--|--|--|
| 725 Series Ultra-Mate Card Edge Connector - Press Fit Part Number: 725-122-545-201 | | ACAD REFERENCE NO. 725-ENG MASTER |
| | | DRAWN: J.LEE CHECKED: SCALE: DRAWING NUMBER 725-ENG MASTER |
| EDAC INC TORONTO, ONTARIO CANADA YOUR CONNECTION TO QUALITY & SERVICE | | DATE: AUG 31 1995 SECTION A-A DATE: SHEET 1 OF 1 ISSUE 1 |
| THESE DRAWINGS AND SPECIFICATIONS ARE THE PROPERTY OF EDAC INC. AND SHALL NOT BE REPRODUCED, OR COPIED OR USED AS THE BASIS FOR THE MANUFACTURE OR SALE OF APPARATUS WITHOUT WRITTEN PERMISSION. | | |