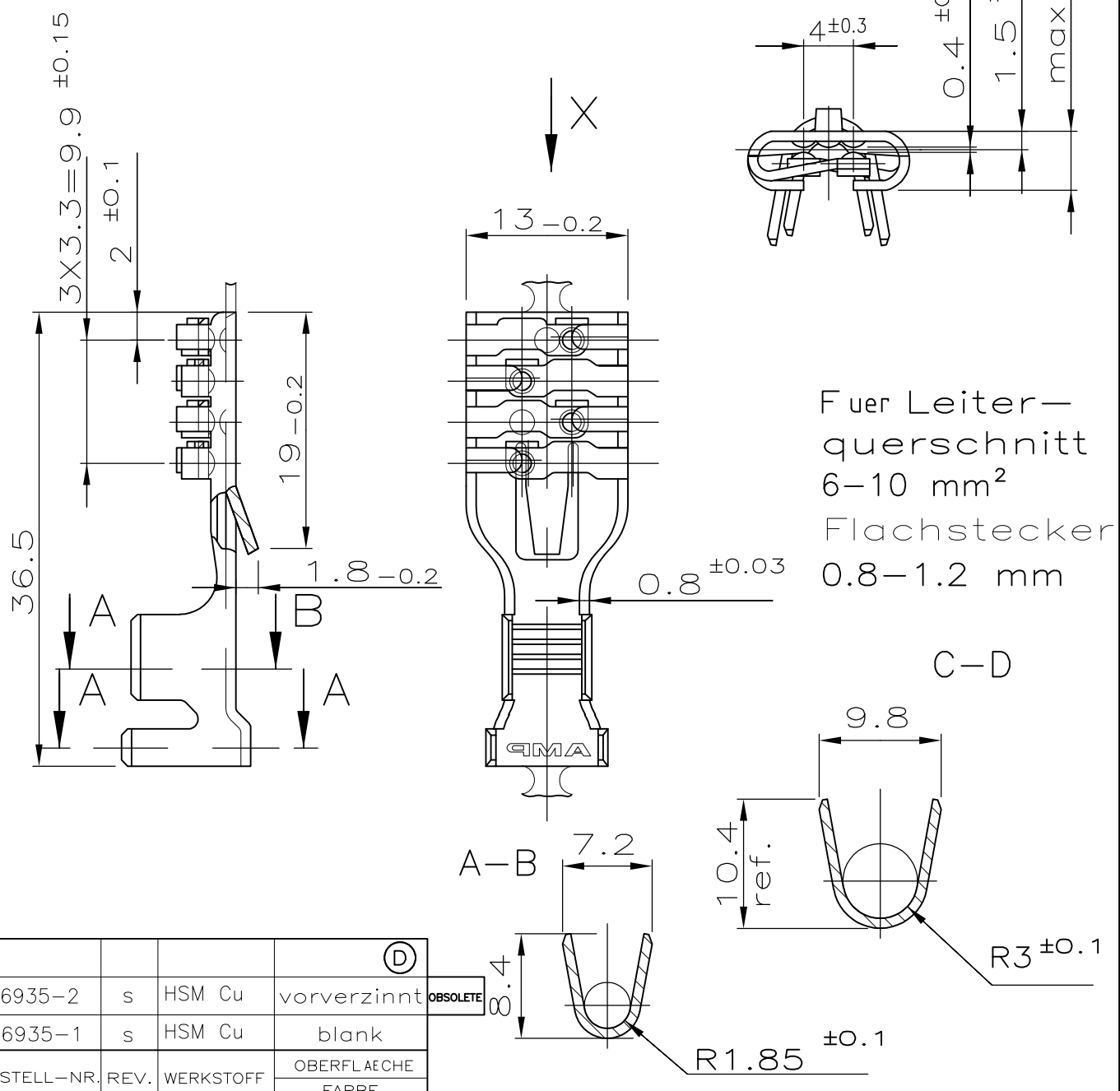


LOC	DIST	REVISIONS					
A1	—	P	LTR	DESCRIPTION	DATE	DWN	APVD
		S1		DIMENSION UPDATED	03JUN2011	PKS	RRP
		S2		REVISED PER ECR-15-015288	03NOV2015	L.P	T.D

Ansicht "X"  
VIEW "X"



Fuer Leiterquerschnitt  
6-10 mm<sup>2</sup>  
Flachstecker  
0.8-1.2 mm

THIS DRAWING IS UNPUBLISHED. ALL RIGHTS RESERVED.

				Ⓧ
926935-2	s	HSM Cu	vorverzinkt	OBSELETE
926935-1	s	HSM Cu	blank	
BESTELL-NR.	REV.	WERKSTOFF	OBERFLAECHE	
			FARBE	

DIMENSIONS: mm		DWN B. Buxbaum	8DEC1994	MATERIAL HSM Cu	FINISH —
TOLERANCES UNLESS OTHERWISE SPECIFIED:		CHK —	—	TE Connectivity	
0 PLC ± - 1 PLC ± - 2 PLC ± 0.2 mm 3 PLC ± - 4 PLC ± - ANGLES ± 1.5		APVD —	—		
		PRODUCT SPEC —	—	NAME COMBI-CONTACT FUER FLACHSTECKER 6.3-9.5	
		APPLICATION SPEC —	—	SIZE A4	CAGE CODE 00779
		WEIGHT —	—	DRAWING NO C-926935	RESTRICTED TO —
		CUSTOMER DRAWING		SCALE 2:1	SHEET 1 OF 1
				REV S2	