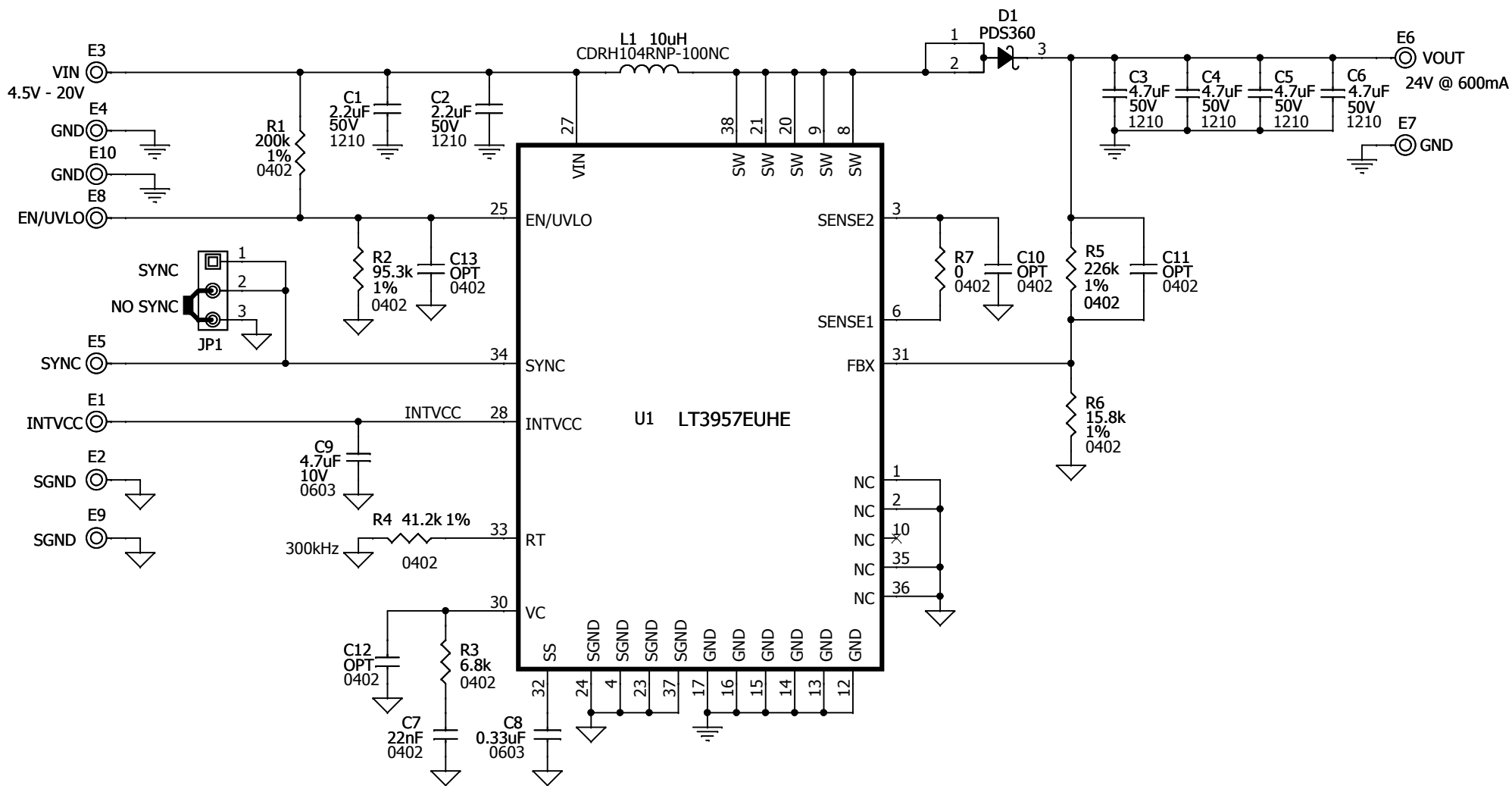


REVISION HISTORY				
ECO	REV	DESCRIPTION	DATE	APPROVED
	3	PRODUCTION	05/14/10	KEITH S.



NOTES: UNLESS OTHERWISE SPECIFIED,
 1. ALL CAPACITORS AND RESISTORS ARE 0402.
 2. ALL CAPACITOR VALUES ARE IN MICROFARADS.
 3. ALL RESISTOR VALUES ARE IN OHMS.

<p align="center">CUSTOMER NOTICE</p> <p>LINEAR TECHNOLOGY HAS MADE A BEST EFFORT TO DESIGN A CIRCUIT THAT MEETS CUSTOMER-SUPPLIED SPECIFICATIONS; HOWEVER, IT REMAINS THE CUSTOMER'S RESPONSIBILITY TO VERIFY PROPER AND RELIABLE OPERATION IN THE ACTUAL APPLICATION. COMPONENT SUBSTITUTION AND PRINTED CIRCUIT BOARD LAYOUT MAY SIGNIFICANTLY AFFECT CIRCUIT PERFORMANCE OR RELIABILITY. CONTACT LINEAR TECHNOLOGY APPLICATIONS ENGINEERING FOR ASSISTANCE.</p>	CONTRACT NO.	<p>1630 McCarthy Blvd. Milpitas, CA 95035 Phone: (408)432-1900 Fax: (408)434-0507 LTC Confidential-For Customer Use Only</p>	
	APPROVALS		
	PCB DES. MI		
	ENG. KEITH S.		
THIS CIRCUIT IS PROPRIETARY TO LINEAR TECHNOLOGY AND SUPPLIED FOR USE WITH LINEAR TECHNOLOGY PARTS.	<p>TITLE: SCHEMATIC</p> <p>BOOST, FLYBACK, SEPIC AND INVERTING CONVERTER WITH 5A, 40V SWITCH</p>	<p>SIZE N/A</p> <p>IC NO. LT3957EUHE</p> <p>DEMO CIRCUIT 1544A</p>	<p>REV 3</p>
DATE: Friday, May 14, 2010		SHEET 1 OF 1	