

SUMMARY

Wires

Coax	1
Series	01
Termination type	Male solder
IP rating	50
AWG wire size	0.00 - 0.00
Cable Ø	0.00 - 0.00 mm
Status	active
Matching parts	ERA.01.250.DLL



Image is for illustrative purpose only

Download

[Request a quote](#)

[Catalog](#)

TECHNICAL DETAILS

Mechanics

Shell Style/Model	FLS.01*: Elbow plug, for cable crimping
Keying	Circular, male
Housing Material	Brass (gold plated [ISO 27874]) shell, collet nut, brass latch sleeve and mid pieces
Weight	2.28 g

Performance

Configuration	01.250 : 1 Coax (50 Ohm)
Insulator	
Rated Current	

Specifications

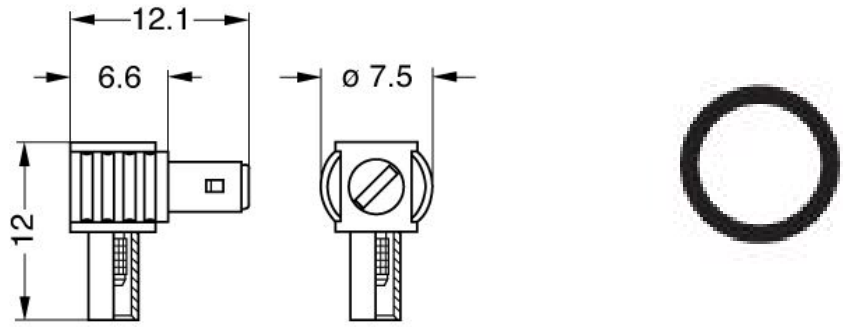
Contact Type: Solder

Others

Endurance (Shell): 1000 mating cycles

LEMO products and services are provided "as is". LEMO makes no warranties or representations with regard to LEMO product & services or use of them, express, implied or statutory, including for accuracy, completeness, or security. The user is fully responsible for his products and applications using LEMO components.

DRAWINGS



Dimensions

	A	H	L	M
mm.	7.5	12	12.1	6.6
in.	0,30	0,47	0,48	0,26

RECOMMENDED BY LEMO

Tools

Cables

LEMO products and services are provided "as is". LEMO makes no warranties or representations with regard to LEMO product & services or use of them, express, implied or statutory, including for accuracy, completeness, or security. The user is fully responsible for his products and applications using LEMO components.