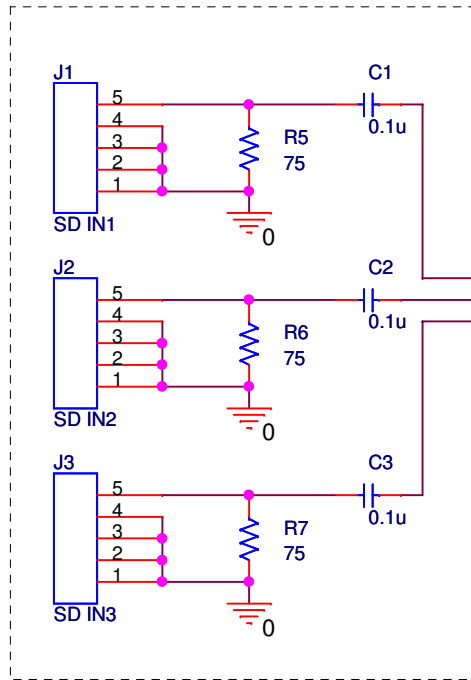
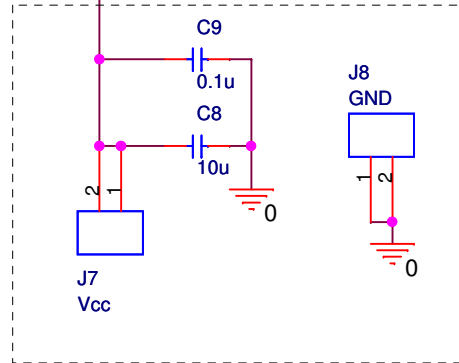
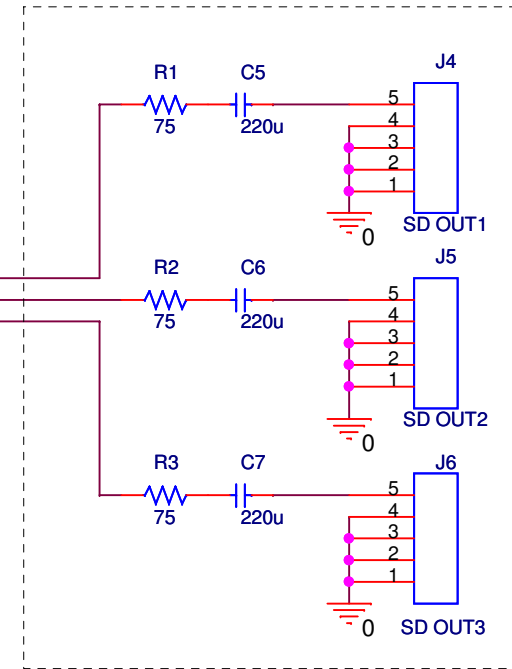


NCS2553

Inputs

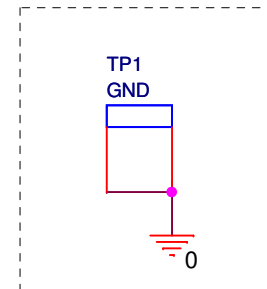


Outputs

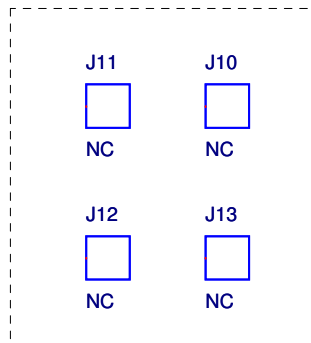


Power Supply

Test Point



Standoffs



ON Semiconductor

Title		
NCS2553 Evaluation Board		
Size	Document Number	Rev
A	NCS2553DGEVB	A
Date:	Thursday, November 11, 2010	Sheet 1 of 1