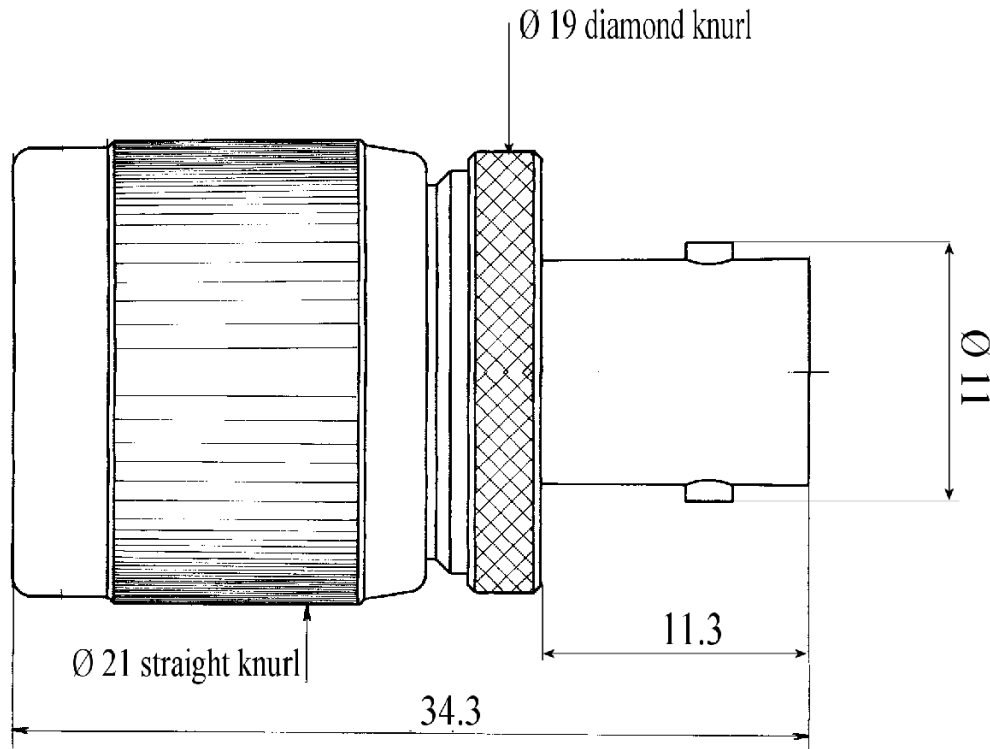


BNC FEMALE - N MALE ADAPTER

R192.421.000

Série : ADAPT 75



All dimensions are in mm.



COMPONENTS	MATERIALS	PLATINGS (µm)
BODY	BRASS	NICKEL 2
CENTER CONTACT	BRASS	GOLD 0.5 OVER NICKEL 2
OUTER CONTACT	-	-
INSULATOR	PTFE	-
GASKET	-	-
OTHERS PARTS	-	-
-	-	-
-	-	-

Issue : 0417 F

In the effort to improve our products, we reserve the rights to make changes judged to be necessary.



BNC FEMALE - N MALE ADAPTER

R192.421.000

Série : ADAPT 75

PACKAGING

SPECIFICATION

Standard	Unit	Other
1	-	Contact us

ELECTRICAL CHARACTERISTICS

ENVIRONMENTAL

Impedance		75 Ω
Frequency		0-1 GHz
VSWR	- +	0.000 x F(GHz) Maxi
Insertion loss		- √F(GHz) dB Maxi
RF leakage	- (- F(GHz) dB Maxi
Voltage rating		- Veff Maxi
Dielectric withstanding voltage		1500 Veff mini
Insulation resistance		5000 MΩ mini

Operating	-55/+155 °C
Hermetic seal	- Atm.cm3/s
Panel leakage	-

MECHANICAL CHARACTERISTICS

OTHERS CHARACTERISTICS

Center contact retention		
Axial force – Mating end		27 N mini
Axial force – Opposite end		27 N mini
Torque		- N.cm mini
Recommended torque		
Mating	N	0 N.cm
	BNC	0 N.cm
	-	0 N.cm
Panel nut		- N.cm
Mating life		500 Cycles mini
Weight		38.000 g

Issue : 0417 F

In the effort to improve our products, we reserve the rights to make changes judged to be necessary.

