



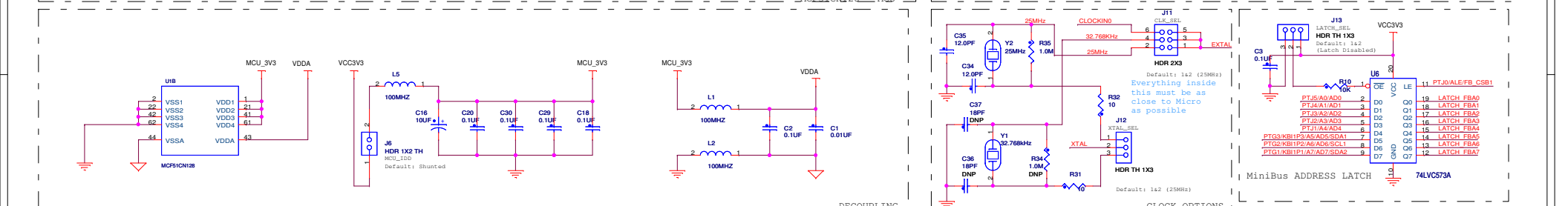
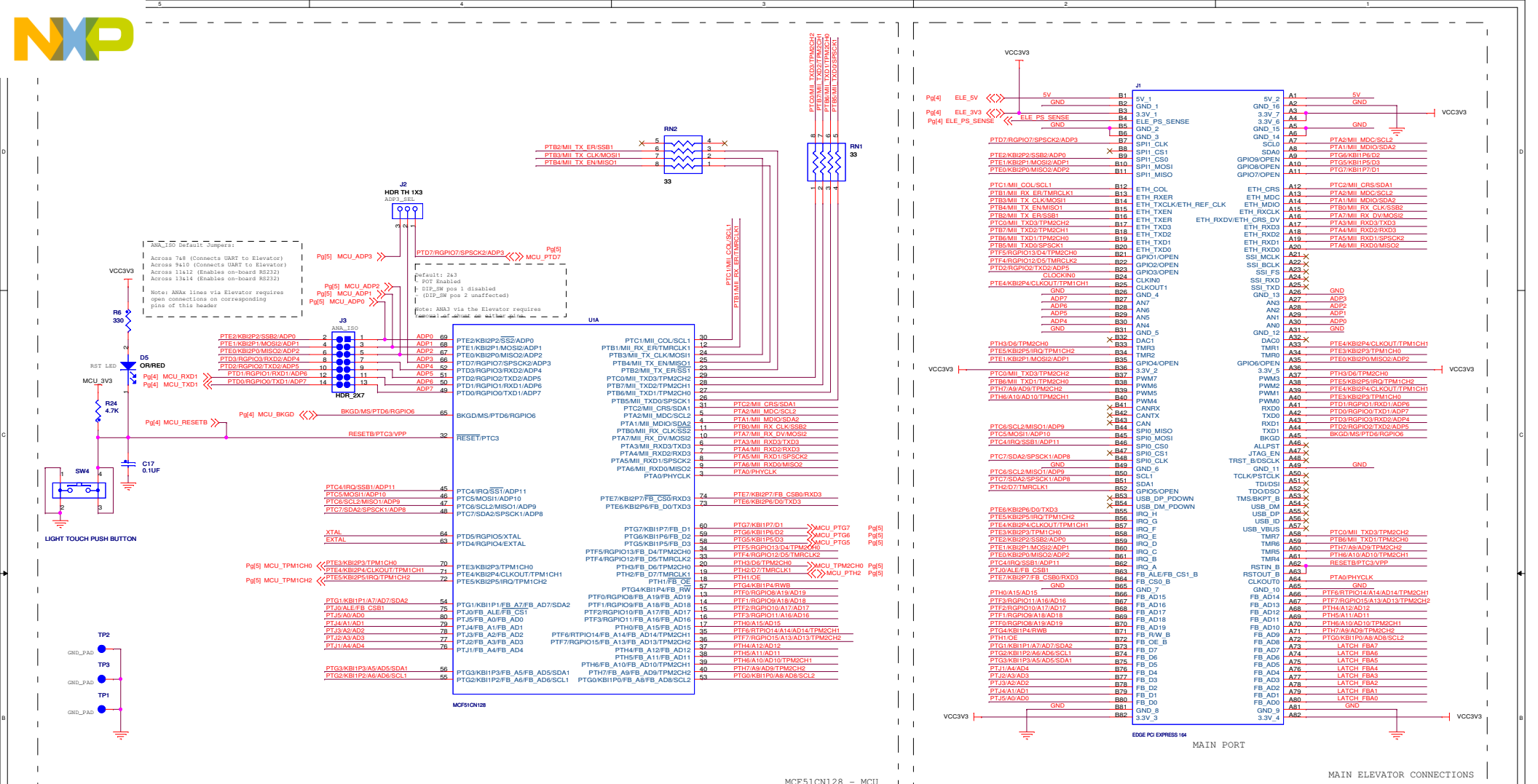
Contents	
1	ICU
2	ICU POWER CHANGEOVER
5	PERIPHERALS
6	OPTIONAL ELEVATOR CONN


Revisions			
Rev	Description	Date	Approved
C	Pilot Release	14-Apr-09	DK
D	Updated per Internal Review	14-May-09	DK

		<b>Microcontroller Solutions Group</b>	
		6501 William Cannon Drive West Austin, TX 78758-8598	
This document contains information proprietary to Freescale Semiconductor and shall not be used for engineering design, procurement or manufacture in whole or in part without the express written permission of Freescale Semiconductor.			
Designer: Daniel Kruceak		ICAP Classification: FOP: FLUQ: X PUBI:	
Drawing Title: Daniel Kruceak		<b>TWR-MCF51CN</b>	
Drawn by: Daniel Kruceak		Page Title: <b>TITLE PAGE</b>	
Approved: Daisy Chen	Size C	Document Number SCH-26003 PDF: SPF-26003	Rev D
Date: Thursday, May 14, 2009		Sheet 1 of 6	



ICAP Classification: FCP: FIUC: X PUBI: _____		
Drawing Title: <b>TWR-MCF51CN</b>		
Page Title: <b>NOTES</b>		
Size C	Document Number SCH-26003 PDF: SPF-26003	Rev D
Date: Monday, May 11, 2009	Sheet 2	of 6





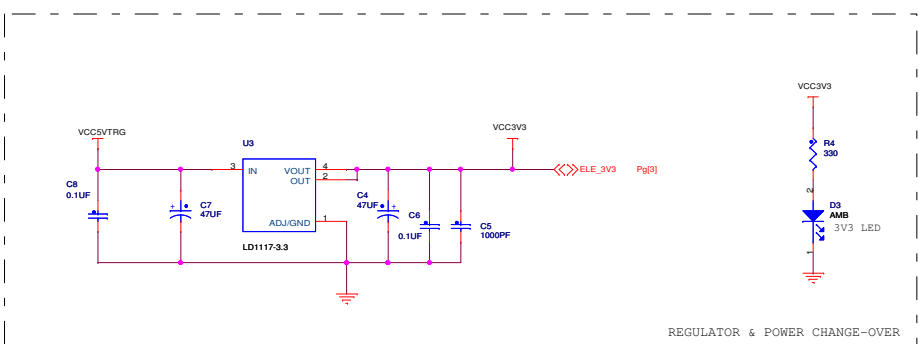
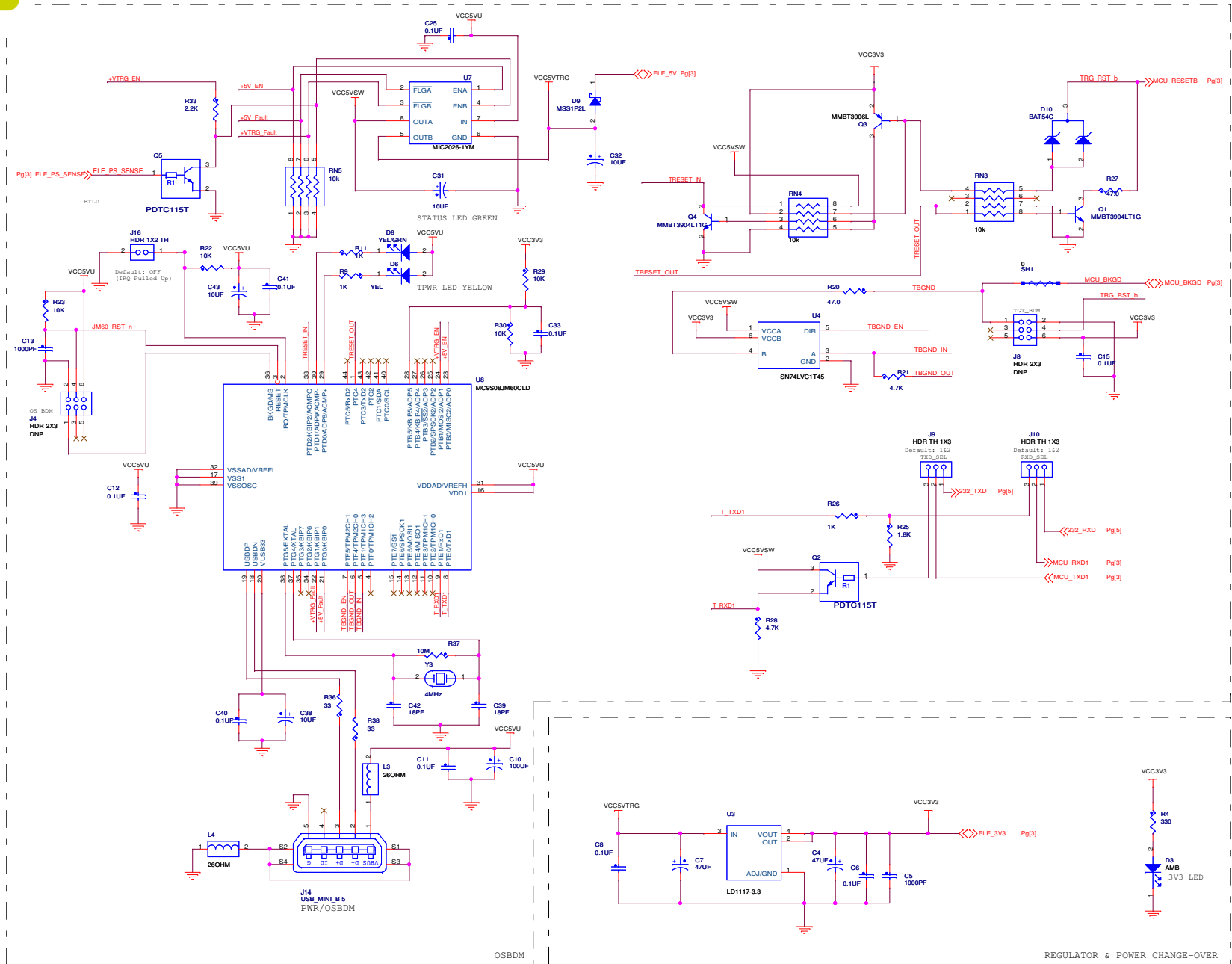
**freescale**  
semiconductor

ICAP Classification: FCP: FIUC: X PUB: \_\_\_\_\_  
 Drawing Title: **TWR-MCF51CN**

Page Title: **MCF51CN128-MCU**

Size C	Document Number	Rev D
	SCM-26003 PDF: SPF-26003	

Date: Thursday, May 14, 2009 11:09:31 AM Page 3 of 6



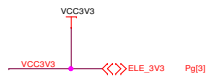
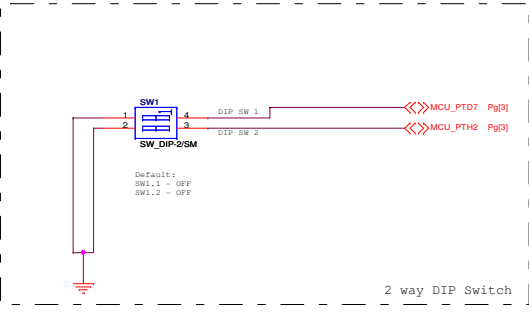
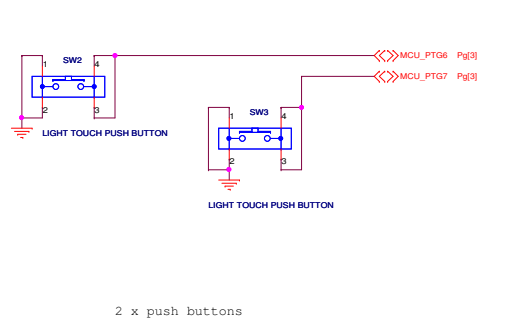
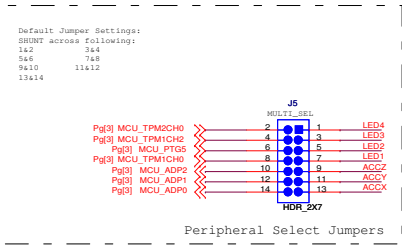
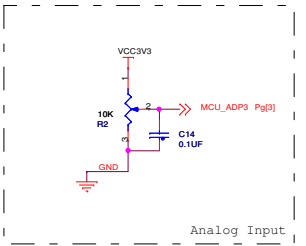
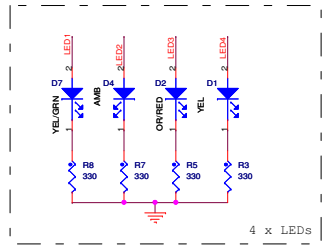
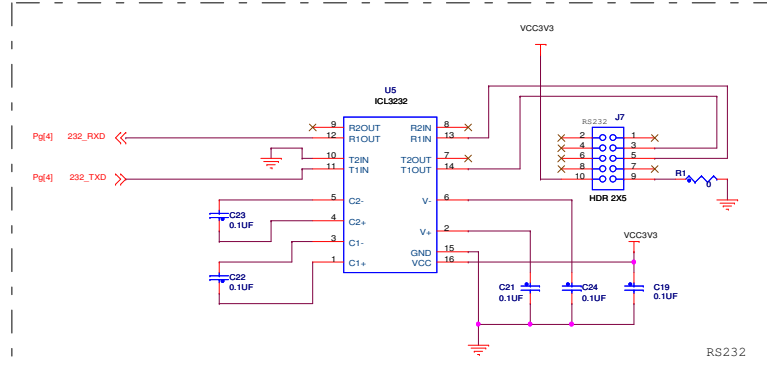
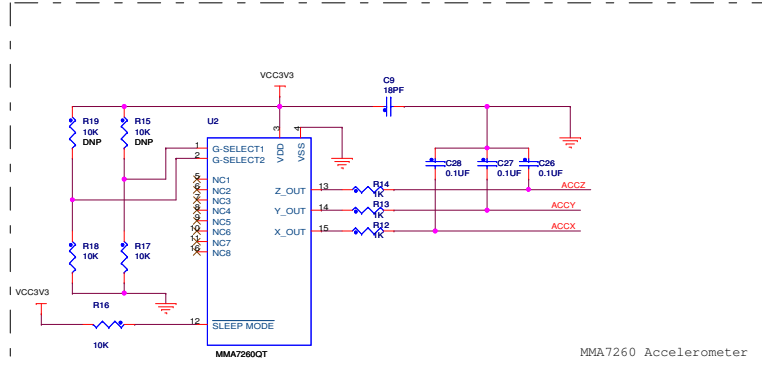
**freescale**  
semiconductor

ICAP Classification: FCP: FIUC: X PUBL:

Drawing Title: **TWR-MCF51CN**

Page Title: **OSBDM & POWER CHANGE-OVER**


Size C	Document Number SCH-26003 PDF: SPF-26003	Rev D
Date: Thursday, May 14, 2009 Sheet 4 of 6		





J15			
X B1	SV_1	SV_2	A1
X B2	GND_1	GND_16	A2
X B3	3.V_1	3.V_7	A3
X B4	ELE_PS_SENSE	3.V_6	A4
X B5	GND_2	GND_15	A5
X B6	GND_3	GND_14	A6
X B7	SPI_CLK	SCL0	A7
X B8	SPI_CS1	SDA1	A8
X B9	SPI_CS0	GPIO5/OPEN	A9
X B10	SPI_MOSI	GPIO6/OPEN	A10
X B11	SPI_MISO	GPIO7/OPEN	A11
X B12	ETH_COL	ETH_CRS	A12
X B13	ETH_RXER	ETH_MD0	A13
X B14	ETH_TXCLK/ETH_REF_CLK	ETH_MDIO	A14
X B15	ETH_TXEN	ETH_RXCLK	A15
X B16	ETH_TXER	ETH_RXD0	A16
X B17	ETH_TXD3	ETH_RXD3	A17
X B18	ETH_TXD2	ETH_RXD2	A18
X B19	ETH_TXD1	ETH_RXD1	A19
X B20	ETH_TXD0	ETH_RXD0	A20
X B21	GPIO1/OPEN	SSI_MCLK	A21
X B22	GPIO2/OPEN	SSI_BCLK	A22
X B23	GPIO3/OPEN	SSI_FS	A23
X B24	CLKIN0	SSI_RXD	A24
X B25	CLKOUT1	SSI_TXD	A25
X B26	GND_4	GND_13	A26
X B27	AN7	AN7	A27
X B28	AN6	AN2	A28
X B29	AN5	AN1	A29
X B30	AN4	AN4	A30
X B31	GND_5	GND_12	A31
X B32	DAC1	DAC0	A32
X B33	TMR3	TMR1	A33
X B34	TMR2	TMR0	A34
X B35	GPIO4/OPEN	GPIO6/OPEN	A35
X B36	3.V_2	3.V_5	A36
X B37	PWM7	PWM3	A37
X B38	PWM6	PWM2	A38
X B39	PWM5	PWM1	A39
X B40	PWM4	PWM0	A40
X B41	CANTX	RXD0	A41
X B42	CAN	RXD1	A42
X B43	SPI0_MISO	TXD	A43
X B44	SPI0_MOSI	BKGD	A44
X B45	SPI0_CS0	ALLPST	A45
X B46	SPI0_CS1	JTAG_EN	A46
X B47	SPI0_CLK	TRST_B/DCLK	A47
X B48	GND_6	GND_11	A48
X B49	SCL1	TCLK/STCLK	A49
X B50	SDA1	TDI/DS1	A50
X B51	GPIO5/OPEN	TDODSO	A51
X B52	USB_DP_PDOWN	TMS/BKPT_B	A52
X B53	USB_DM_PDOWN	USB_DM	A53
X B54	IRQ_H	USB_DP	A54
X B55	IRQ_G	USB_IB	A55
X B56	IRQ_F	USB_VBUS	A56
X B57	IRQ_E	TMR5	A57
X B58	IRQ_D	TMR7	A58
X B59	IRQ_C	TMR6	A59
X B60	IRQ_B	TMR4	A60
X B61	IRQ_A	RSTIN_B	A61
X B62	FB_CS0_B	RSTOUT_B	A62
X B63	GND_7	CLKOUT0	A63
X B64	FB_AD15	GND_10	A64
X B65	FB_AD16	GND_10	A65
X B66	FB_AD17	FB_AD14	A66
X B67	FB_AD18	FB_AD13	A67
X B68	FB_AD19	FB_AD12	A68
X B69	FB_RW_B	FB_AD11	A69
X B70	FB_DE	FB_AD10	A70
X B71	FB_D7	FB_AD9	A71
X B72	FB_D6	FB_AD8	A72
X B73	FB_D5	FB_AD7	A73
X B74	FB_D4	FB_AD6	A74
X B75	FB_D3	FB_AD5	A75
X B76	FB_D2	FB_AD4	A76
X B77	FB_D1	FB_AD3	A77
X B78	FB_D0	FB_AD2	A78
X B79	GND_8	FB_ADD	A79
X B80	3.V_3	GND_9	A80
X B81		GND_9	A81
X B82		3.V_4	A82

EDGE PC EXPRESS 164  
DUMMY PORT



ICAP Classification: FCP: FIUC: X PUIB: \_\_\_\_\_  
 Drawing Title: **TWR-MCF51CN**  
 Page Title: **OPTIONAL ELEVATOR CONN**

Size C	Document Number SCH-26003 PDF: SPF-26003	Rev D
Date: Monday, May 11, 2009	Sheet 6 of 6	