

NOTES:

1. MATERIALS AND FINISHES:

BODY, SHELL, CLAMP NUT, BRAID CLAMP, BUSHING
 RETAINING RING & WASHERS - BRASS, NICKEL PLATING
 CONTACT - BRASS, SILVER PLATING
 INSULATOR - PTFE, NATURAL
 GASKETS - SILICONE RUBBER, RED
 SPRING - BeCu, NICKEL PLATING

2. MECHANICAL:

A. DURABILITY: 500 CYCLES MIN.
 B. TEMPERATURE RANGE: -65° C TO +165° C

3. PACKAGING:

A. QUANTITY: SINGLE PACK
 B. MARKING: BAG TO BE MARKED
 "AMPHENOL RF, 31-3202, AND DATE CODE"

4. CABLE ASSEMBLY INSTRUCTIONS:

A. STRIP CABLE AS SHOWN.
 B. SLIDE CLAMP NUT, WASHER, GASKET & BRAID CLAMP OVER CABLE SHEATH.
 C. COMB OUT THE BRAID AND FOLD OUT, TRIM EXCESS BRAID.
 D. SOLDER CABLE CENTER CONDUCTOR TO CENTER CONTACT. LEAD FREE SOLDER IS RECOMMENDED
 E. SLIDE SUB-ASSEMBLY TO THE REAR SIDE OF THE BODY AND TIGHTEN WITH PROPER SPANNER. MAKE ENSURE INTERFACE DIMENSIONS TO MEET.

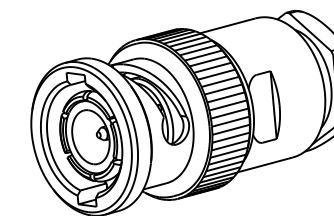
5 SHOWS CABLE ENTRY DIMENSIONS.

6. THIS CONNECTOR IS COVERED BY U.S. PATENT 3,439,294

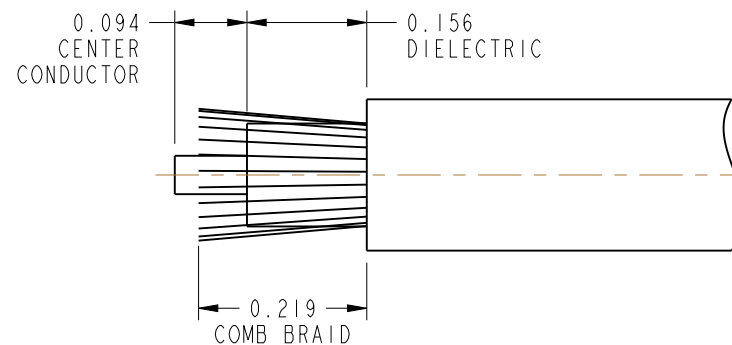
THIRD ANGLE PROJ.

REVISIONS

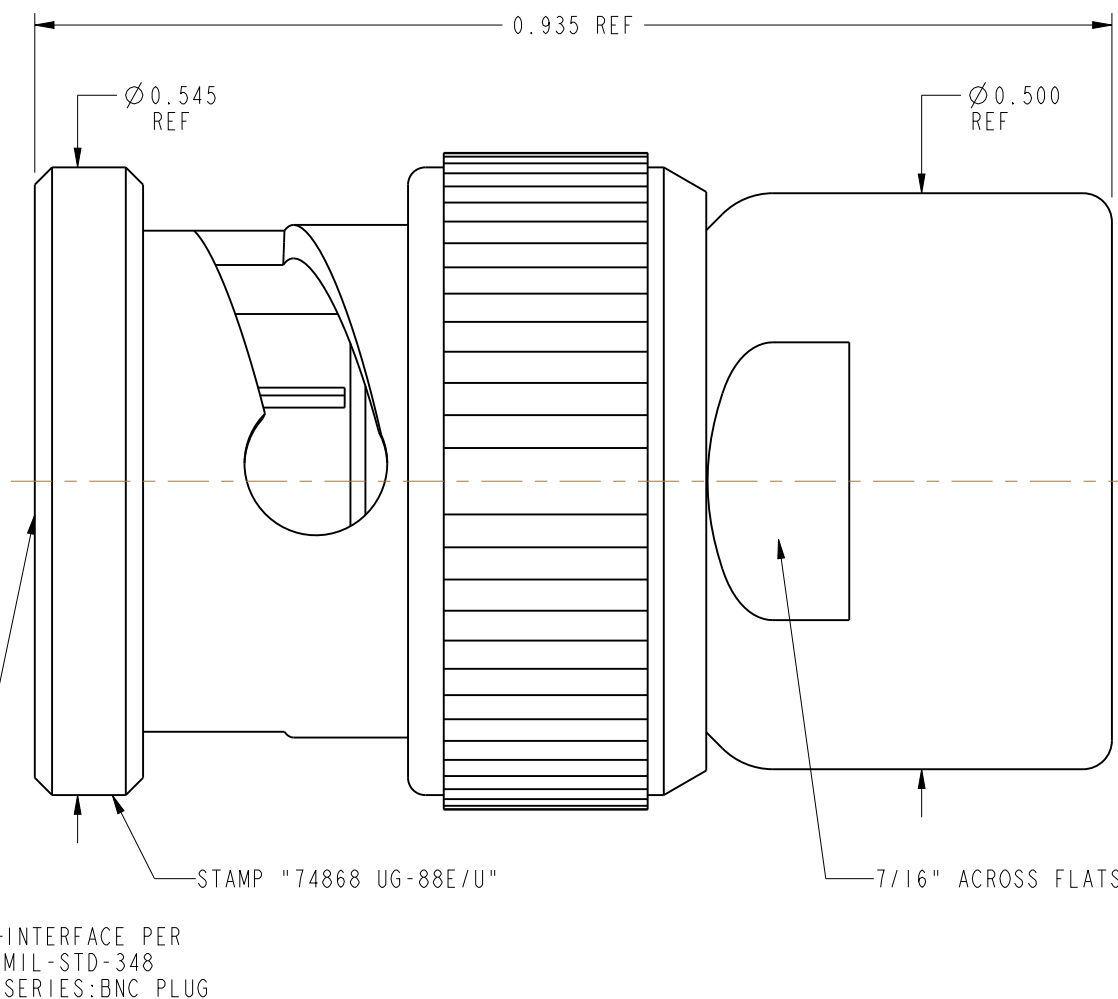
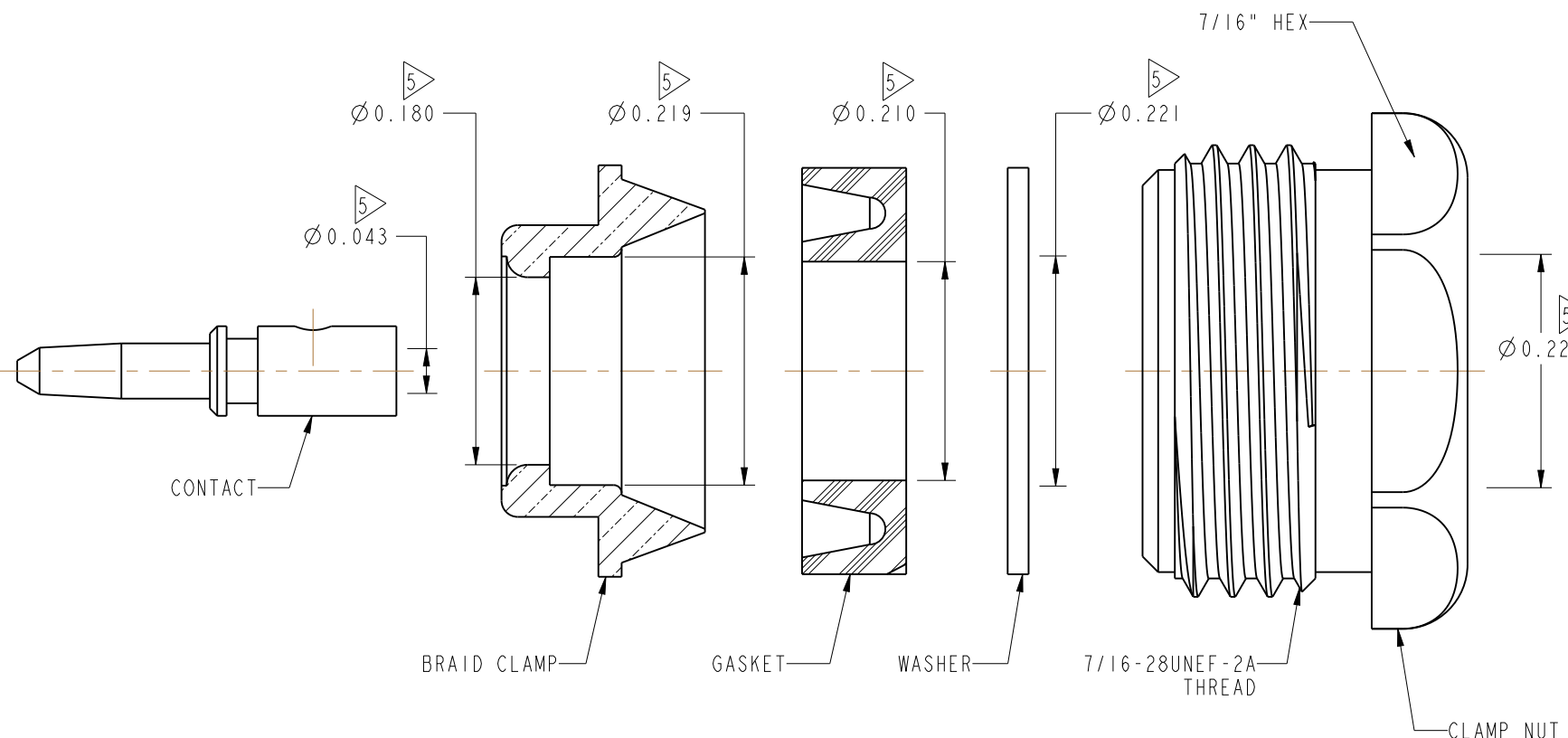
REV	DESCRIPTION	DATE	ECO	APPR
--	RELEASE TO MFG.	--	--	--
Y	REDRAWN IN PRO-E & COD SHEET ADDED	6/18/15	50333	CL



SCALE 1.500



RECOMMENDED CABLE STRIPPING DIMENSIONS



CUSTOMER OUTLINE DRAWING

ALL OTHER SHEETS ARE FOR INTERNAL USE ONLY

UNLESS OTHERWISE SPECIFIED, DIMENSIONS ARE IN INCHES AND TOLERANCES ARE: 2 PLACE DECIMAL 3 PLACE DECIMAL ANGLES ±.015 (0,381 mm) ±.005 (0,127 mm) ± 1°	MATERIAL	DRAWN	DATE	TITLE BNC STR PLUG FOR UG-88E/U, RG-55, 58, 141, 142 & 223/U CABLE		Amphenol RF www.amphenolrf.com	
	SEE NOTES	CLEMENT	02-Jan-15				
NOTICE - These drawings, specifications, or other data (1) are, and remain the property of Amphenol corp. (2) must be returned upon request; and (3) are confidential and not to be disclosed to any person other than those to whom they are given by Amphenol Corp. the furnishing of these drawings, specifications, or other data by Amphenol Corp., or to any other person to anyone for any purpose is not to be regarded by implication or otherwise in any manner licensing, granting rights to permitting such holder or any other person to manufacture, use or sell any product, process or design, patented or otherwise, that may in any way be related to or disclosed by said drawings, specifications, or other data.	REFERENCE	ENGINEER	DATE	SCALE: 8.0:1.0 SHEET 2 OF 2		DRAWING NO. 31-3202 ITEM NO. 31-3202	
	EPA 802218-51	P. PETTI	22-Mar-71				
	CONFIGURATION LEVEL: In Work	APPROVED	DATE		DWG SIZE B REV Y		PART NO. 31-3202
FINISH	K. CAPOZZI	6/18/15					