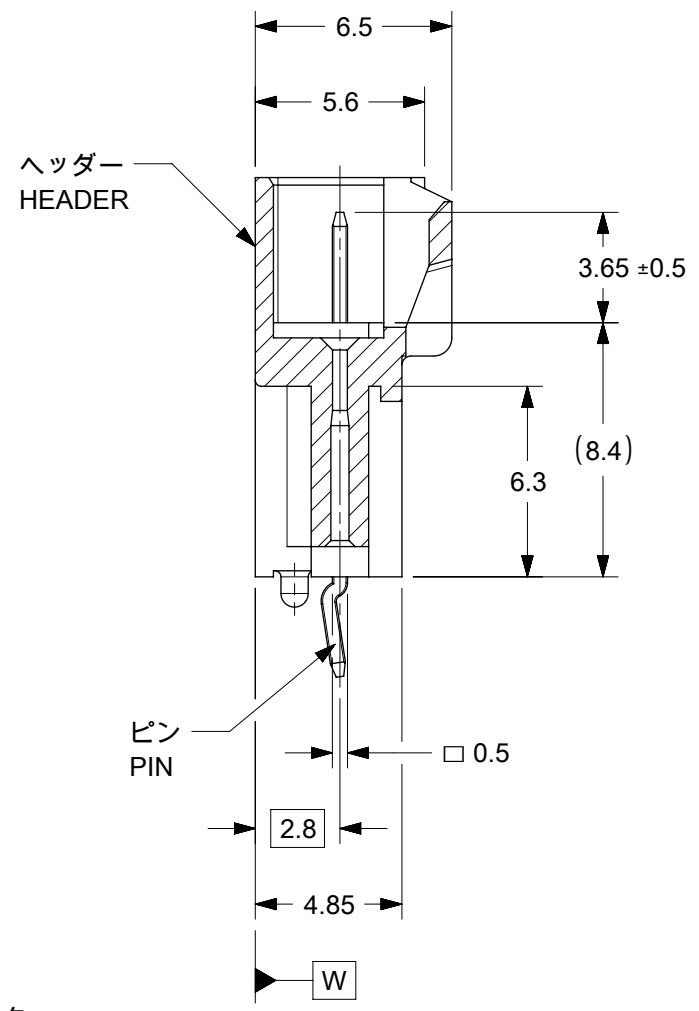
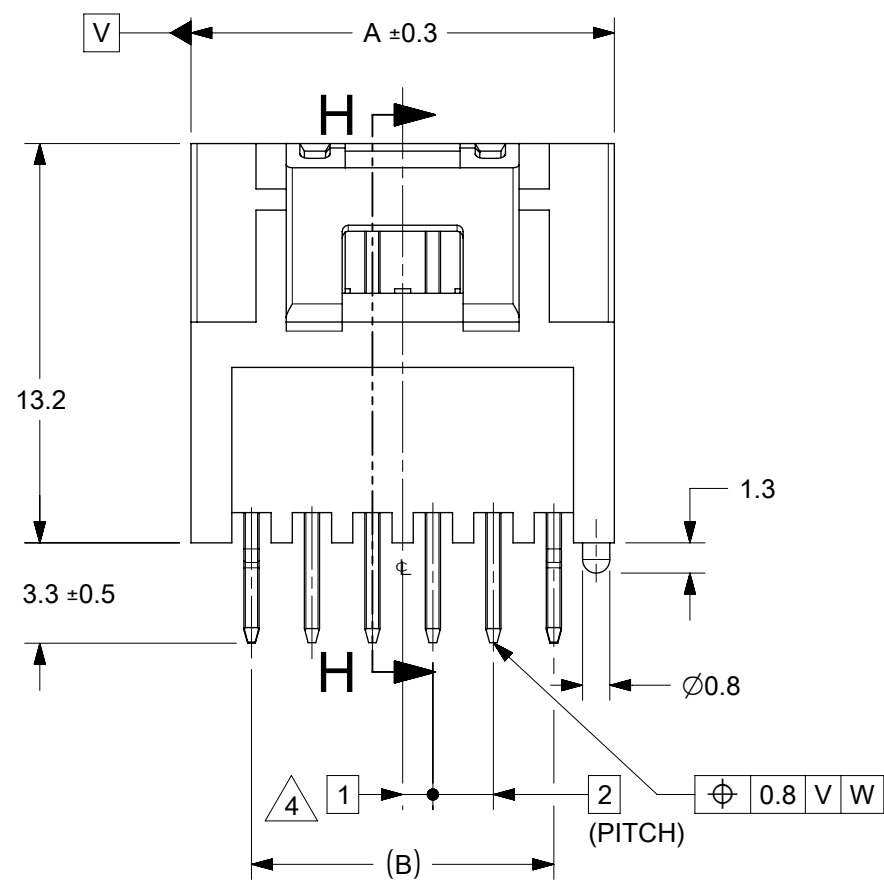
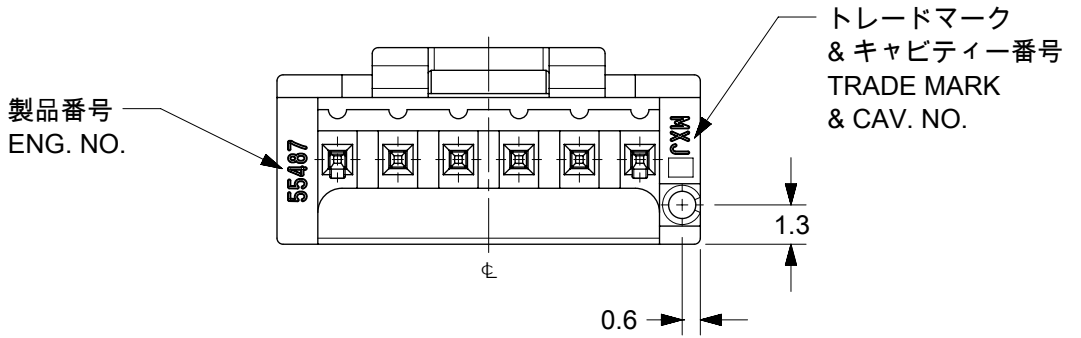


回路番号1  
CKT. NO. 1

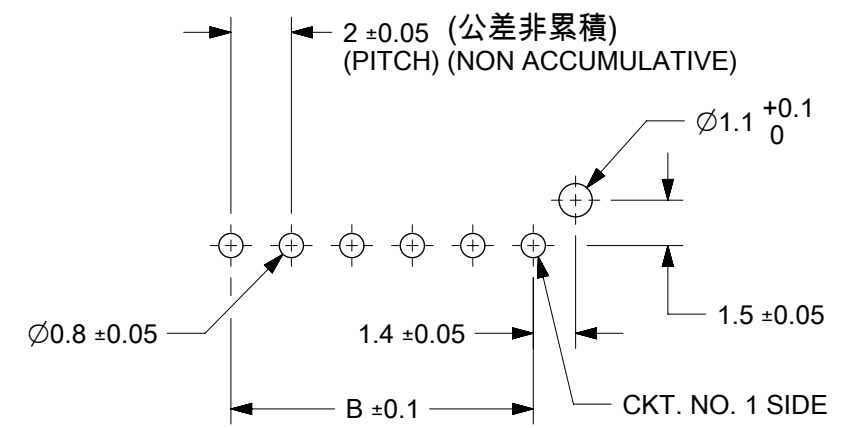


SECTION H-H



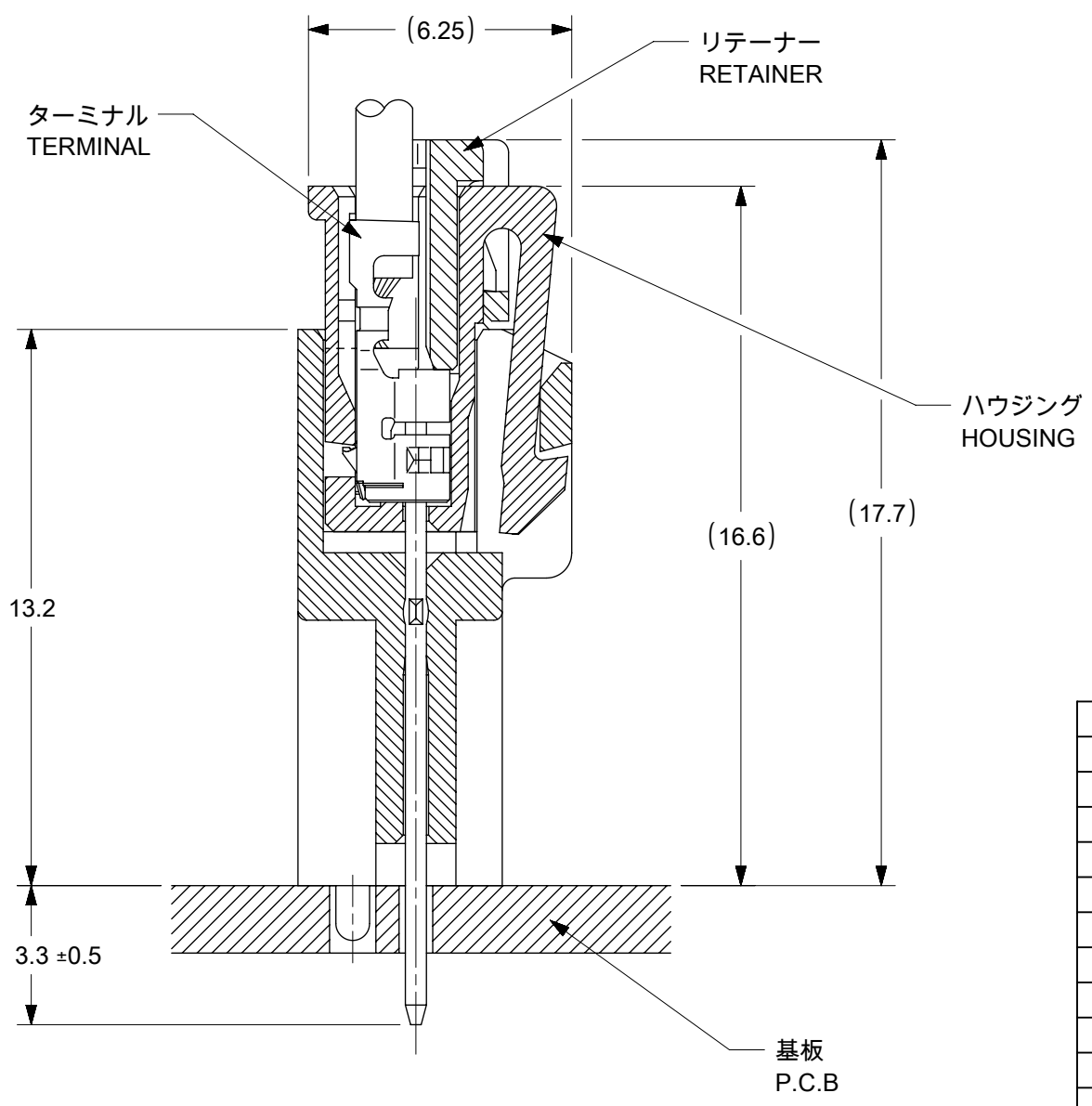
注記  
NOTE

1. 材料 MATERIAL  
ピン : 黄銅, 銅下地錫メッキ  
PIN : BRASS, Sn OVER Cu PLATED  
ヘッダー : 66ナイロン ( ガラス入り : 20% ), UL94V-0  
( 色 : 自然色 又は 染色 )  
HEADER : NYLON66 ( G.F. : 20% ), UL94V-0  
( COLOR : NATURAL OR DYED COLOR )
2. 嵌合相手 : 51216シリ - ズ  
MATE WITH : 51216 SERIES
3. ソルダータールキンは、両端のピンのみとする。  
KINK TO BE APPLIED FOR 2 PINS AT BOTH ENDS.
4. 偶数極に適用。  
APPLY EVEN CIRCUIT PRODUCTS.
5. 本製品は 55487-\*\*10/-\*\*12/-\*\*13/\*\*14/\*\*16 の鉛フリー品である。  
THIS PRODUCT IS LEAD FREE OF 55487-\*\*10/-\*\*12/-\*\*13/-\*\*14/-\*\*16.

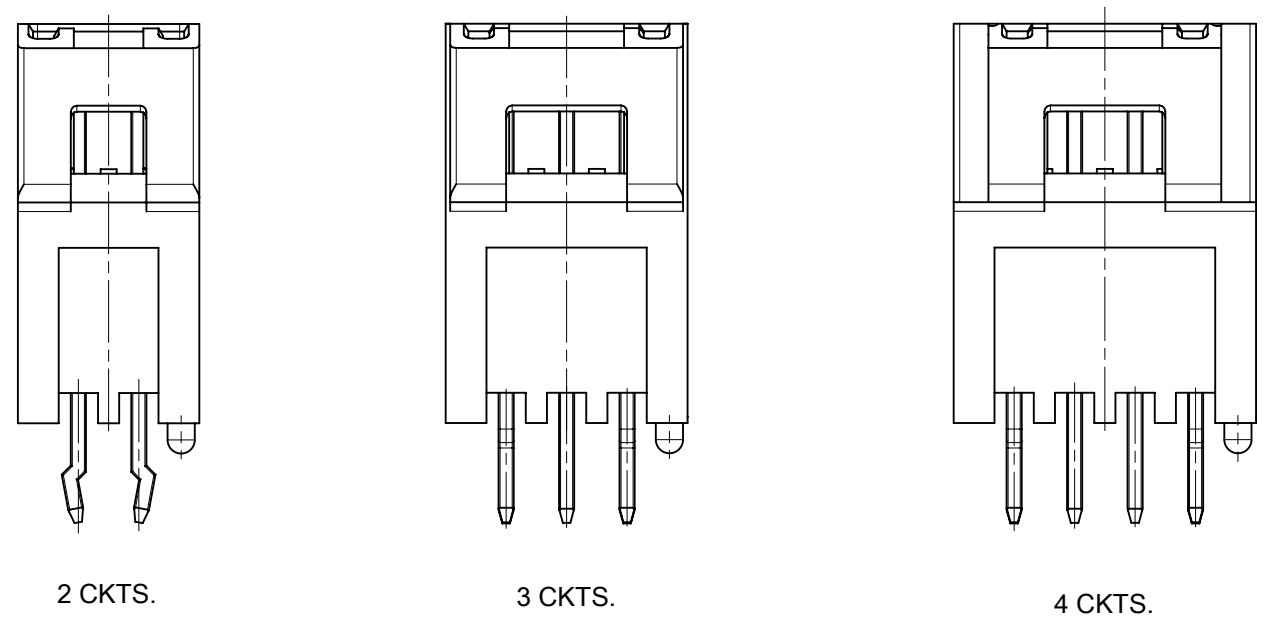


基板取付穴推奨寸法 (マウント面)  
RECOMMENDED P.C.BOARD  
HOLE DIMENSION  
(MOUNTING SIDE)  
(T=1.6)

THIS DRAWING CONTAINS INFORMATION THAT IS PROPRIETARY TO MOLEX ELECTRONIC TECHNOLOGIES, LLC AND SHOULD NOT BE USED WITHOUT WRITTEN PERMISSION									
DIMENSION UNITS mm		SCALE 4:1		CURRENT REV DESC:				<b>molex</b>	
GENERAL TOLERANCES (UNLESS SPECIFIED)				EC NO: 732251					
ANGULAR TOL ± 3.0°				DRWN: AISHIKAWA 2022/11/09				MICROTPA 2.0 W/B SINGLE ROW DIP VERTICAL HEADER ASSEMBLY	
4 PLACES ±				CHK'D: AIDA 2023/05/19				PRODUCT CUSTOMER DRAWING	
3 PLACES ±				APPR: SAKIYAMA 2023/05/19				DOCUMENT NUMBER	
2 PLACES ± 0.2				INITIAL REVISION:				SD-55487-007	
1 PLACE ± 0.2				DRWN: MNABEI 2005/05/23				DOC TYPE	
0 PLACES ± 0.2				APPR: NUKITA 2005/05/25				DOC PART	
DRAFT WHERE APPLICABLE MUST REMAIN WITHIN DIMENSIONS				THIRD ANGLE PROJECTION		DRAWING		REVISION	
				A3-SIZE		SERIES		SHEET NUMBER	
				55487		MATERIAL NUMBER		GENERAL MARKET	
						CUSTOMER		1 OF 2	



嵌合断面図 (参考)  
LAYOUT OF EACH CKTS.



極数レイアウト図  
LAYOUT OF EACH CKTS.

31	7.7	28	32					55487-1519	15
29	7.7	26	30					55487-1419	14
27	7.7	24	28					55487-1319	13
25	7.7	22	26			55487-1223		55487-1219	12
23	7.7	20	24					55487-1119	11
21	7.7	18	22					55487-1019	10
19	7.7	16	20					55487-0919	9
17	7.7	14	18					55487-0819	8
15	7.7	12	16					55487-0719	7
13	7.7	10	14					55487-0619	6
11	7.7	8	12				55487-0522	55487-0519	5
9	7.7	6	10					55487-0419	4
7	7.7	4	8					55487-0319	3
5	6	2	6	55487-0226	55487-0224	55487-0223		55487-0219	2
D	C	B	A	COLOR : GREEN 色 : 緑	COLOR : BLUE 色 : 青	COLOR : YELLOW 色 : 黄	COLOR : RED 色 : 赤	COLOR : WHITE 色 : 白	CKT 極数
TRAY PACKAGE									
オーダー番号 ORDER NO.									
CONNECTOR SERIES NO. 55487-****									

THIS DRAWING CONTAINS INFORMATION THAT IS PROPRIETARY TO MOLEX ELECTRONIC TECHNOLOGIES, LLC AND SHOULD NOT BE USED WITHOUT WRITTEN PERMISSION

DIMENSION UNITS mm	SCALE 4:1	CURRENT REV DESC:	
GENERAL TOLERANCES (UNLESS SPECIFIED)		EC NO: 732251	
ANGULAR TOL ± 3.0°		DRWN: AISHIKAWA	2022/11/09
4 PLACES ±		CHK'D: AIDA	2023/05/19
3 PLACES ±		APPR: SAKIYAMA	2023/05/19
2 PLACES ± 0.2		INITIAL REVISION:	
1 PLACE ± 0.2		DRWN: MNABEI	2005/05/23
0 PLACES ± 0.2		APPR: NUKITA	2005/05/25
DRAFT WHERE APPLICABLE MUST REMAIN WITHIN DIMENSIONS	THIRD ANGLE PROJECTION	DRAWING A3-SIZE	SERIES 55487

# molex

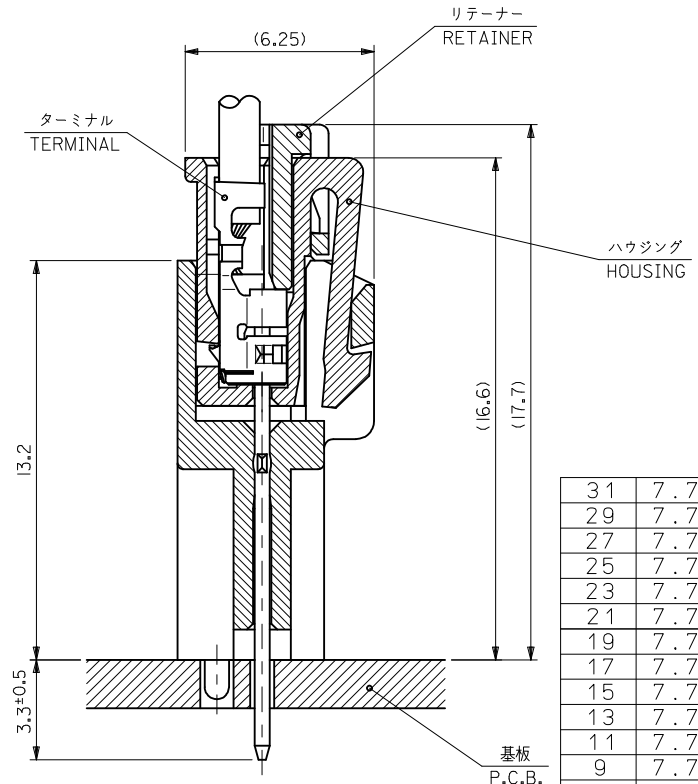
MICROTPA 2.0 W/B  
SINGLE ROW DIP VERTICAL HEADER ASSEMBLY

PRODUCT CUSTOMER DRAWING

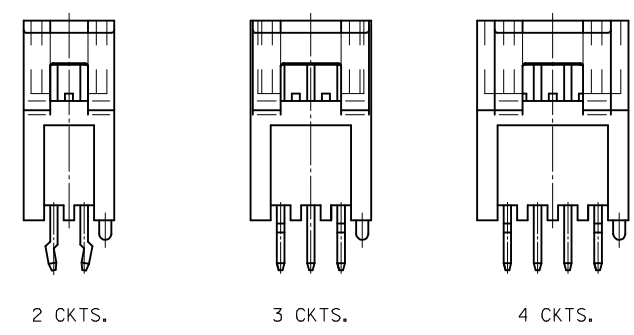
DOCUMENT NUMBER: SD-55487-007    DOC TYPE: PSD    DOC PART: 001    REVISION: E

MATERIAL NUMBER:    CUSTOMER: GENERAL MARKET    SHEET NUMBER: 2 OF 2

10 9 8 7 6 5 4 3 2 1



嵌合断面図 (参考)  
LAYOUT OF EACH CKTS.



極数レイアウト図  
LAYOUT OF EACH CKTS.

31	7.7	28	32	55487-1526		55487-1523	55487-1522	55487-1519	15
29	7.7	26	30	55487-1426		55487-1423	55487-1422	55487-1419	14
27	7.7	24	28					55487-1319	13
25	7.7	22	26	55487-1226		55487-1223	55487-1222	55487-1219	12
23	7.7	20	24					55487-1119	11
21	7.7	18	22	55487-1026	55487-1024	55487-1023	55487-1022	55487-1019	10
19	7.7	16	20	55487-0926		55487-0923	55487-0922	55487-0919	9
17	7.7	14	18	55487-0826		55487-0823	55487-0822	55487-0819	8
15	7.7	12	16					55487-0719	7
13	7.7	10	14					55487-0619	6
11	7.7	8	12	55487-0526		55487-0523	55487-0522	55487-0519	5
9	7.7	6	10					55487-0419	4
7	7.7	4	8					55487-0319	3
5	6	2	6	55487-0226	55487-0224	55487-0223		55487-0219	2
D	C	B	A	COLOR : GREEN 色 : 緑	COLOR : BLUE 色 : 青	COLOR : YELLOW 色 : 黄	COLOR : RED 色 : 赤	COLOR : WHITE 色 : 白	CKT 極数
TRAY PACKAGE									
オーダー番号 ORDER NO.									
CONNECTOR SERIES NO. 55487-****									

SEE SHEET 1 EC NO.: J2015-0174 DRWN: YWAKE 2014/08/04 CHKD: KASAKAWA 2014/08/04 APPR: NUKITA 2014/08/05	GENERAL TOLERANCES (UNLESS SPECIFIED)		DIMENSION STYLE MM ONLY		SCALE ---	DESIGN UNITS METRIC	THIRD ANGLE PROJECTION	
	10 UNDER	±0.2	DRAWN BY M. NABEI	DATE '05/05/20	TITLE 2.0 MM W TO B CONN. HEADER ASS'Y (ST.)			
	10 OVER 30 UNDER	±0.25	CHECKED BY K. TOJO	DATE '05/05/20				
	30 OVER	±0.3	APPROVED BY N. UKITA	DATE '05/05/20				
ANGULAR ±3 °		MATERIAL NO. SEE SHEET 1		DOCUMENT NO. SD-55487-007		SHEET NO. 2 OF 2		
DRAFT WHERE APPLICABLE MUST REMAIN WITHIN DIMENSIONS		THIS DRAWING CONTAINS INFORMATION THAT IS PROPRIETARY TO MOLEX INCORPORATED AND SHOULD NOT BE USED WITHOUT WRITTEN PERMISSION						

9 8 7 6 5 4 3 2