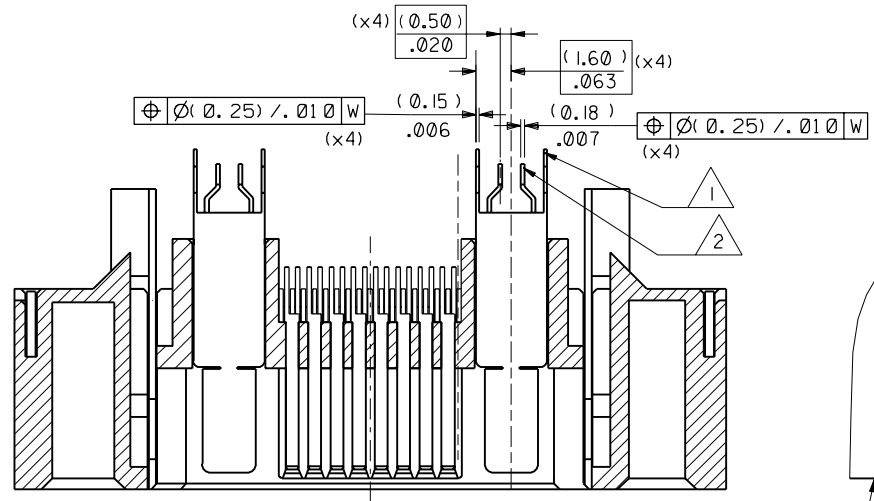
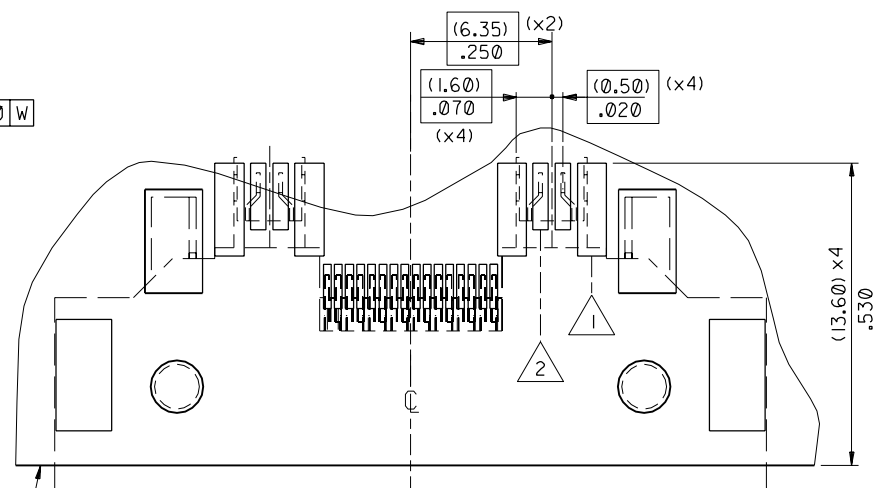


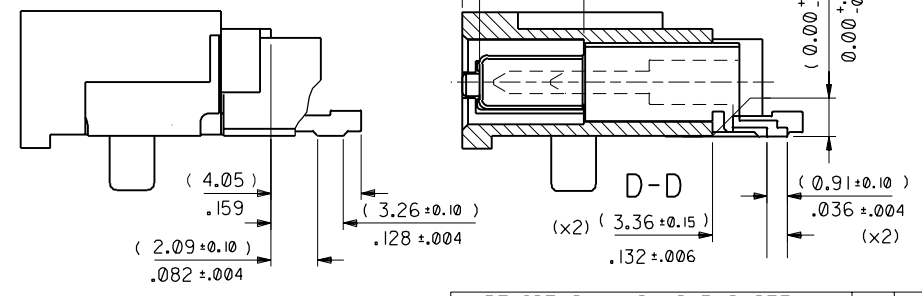
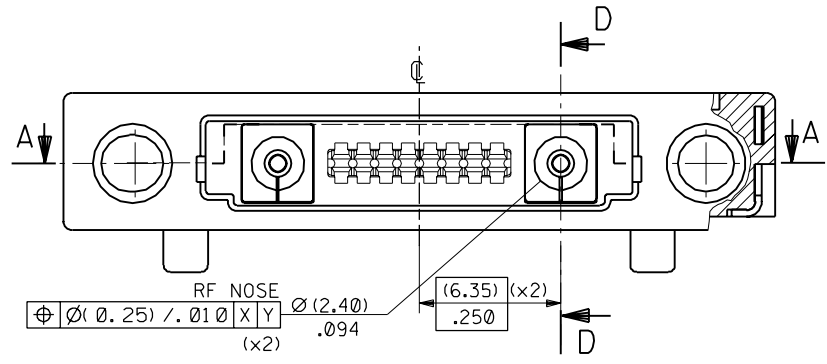
PART NO. 90811-2129  
 DWG. NO. SDA-90811-2129



A-A



FRONT OF PCB  
 CONNECTOR OUTLINE



- NOTES  
 1. RF PART NUMBER :- 90853-0002 SWITCH CONTACTS NORMALLY-CLOSED  
 2. FOR MISSING DIMENSIONS AND NOTES SEE DRAWING SDA-90811-2121  
 3. COMPONENT PACKAGING :TO BE PACKED IN EMBOSSED TAPE  
 SEE SDA-90811-9001 SH3

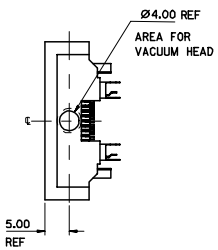
COMPONENT	PCB PAD DIMENSION	QTY
OUTER CO-AX CONDUCTOR	(1.30) $\pm .051$ x (4.2) $\pm .167$ $\phi(0.10) \pm .004$ R	(x4)
CENTRE CO-AX CONDUCTORS	(0.70) $\pm .028$ x (3.0) $\pm .118$ $\phi(0.10) \pm .004$ R	(x4)

REVISE ONLY ON CAD SYSTEM		SHL	REV.
CAD/CAM FILENAME 908112	THIS DRAWING CONTAINS INFORMATION THAT IS PROPRIETARY TO MOLEX INC. & SHOULD NOT BE USED WITHOUT WRITTEN PERMISSION		
TITLE I/O CONNECTOR FOR MOBILE PHONE			
MOLLEX MOLEX EUROPE		SHEET NO. 10F1	DATE 98/03/09
PART NO. 90811-2129	DWG. NO. SDA-90811-2129	SIZE B	

ORIGINAL ISSUE ECN E80397 9 MARCH 1998 DAB	DIMENSIONS SHOWN (METRIC) INCH UNLESS OTHERWISE SPECIFIED TOLERANCES: ANGULAR $\pm .5^\circ$	DRWG BY DAB
LTR REVISIONS	INCH (METRIC)	CHK'D BY
A	3 PLACE $\pm .002$ 2 PLACE $\pm .004$ $\pm .05$ 1 PLACE $\pm .010$	APP'D BY
	DRAFT WHERE APPLICABLE MUST REMAIN WITHIN DIMENSIONS	SCALE 5:1
	DESIGN DIMENSION <input checked="" type="checkbox"/> (MM) (PRIMARY) <input type="checkbox"/> IN.	
	EQUIVALENT DIMENSION <input type="checkbox"/> (MM) (SECONDARY) <input checked="" type="checkbox"/> IN.	

20 19 18 17 16 15 14 13 12 11 10 9 8 7 6 5 4 3 2 1

COMPONENT DETAIL  
(W/UNSWITCHED RF)

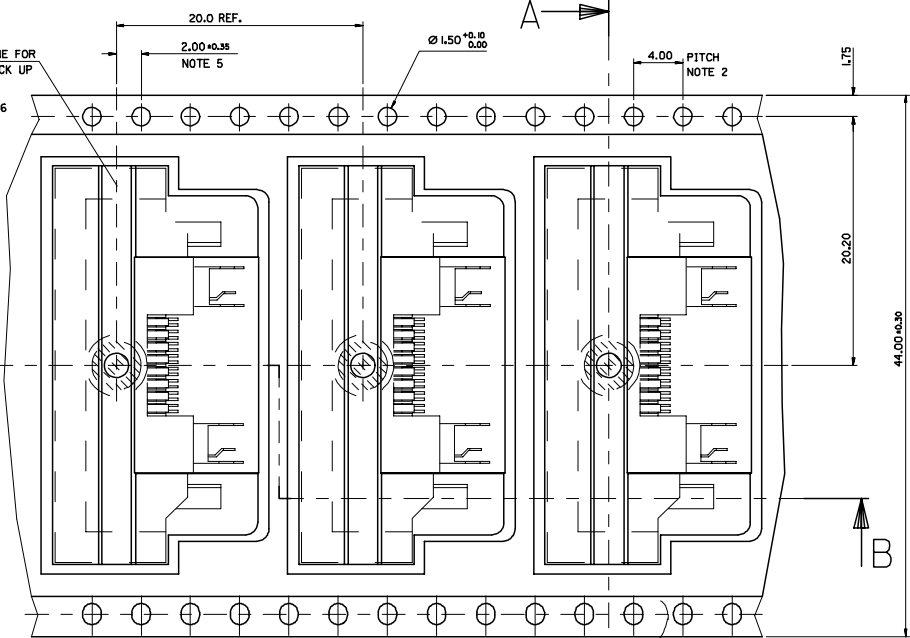


SCALE 2:1

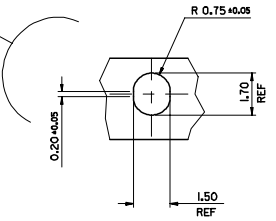
99044-1066

CENTRE LINE FOR VACUUM PICK UP

99044-5006

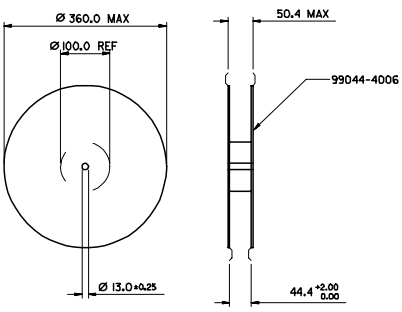


DIRECTION OF UNREELING



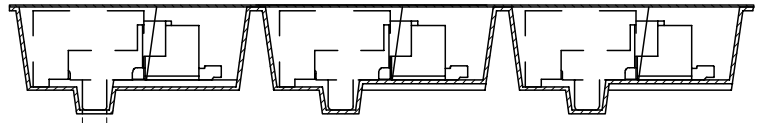
SCALE 10:1

REFERENCE ONLY

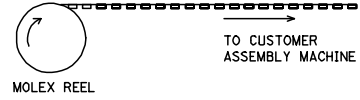


REEL DIMENSIONS  
DO NOT SCALE

(400) PIECES / REEL (SUBJECT TO CHANGE)  
(THREE) REELS / CARDBOARD BOX (96707-0007)  
(1200) PIECES / CARDBOARD BOX (SUBJECT TO CHANGE)



B - B



NOTES:

- MATERIAL :  
CARRIER TAPE : VOLUME CONDUCTIVE POLYSTYRENE , 0.4 REF THICK , BLACK  
COVER TAPE : COLD SEAL POLYESTER , 0.06 REF THICK, TRANSPARENT
- PITCH TOLERANCE OVER ANY 10 PITCHES ±0.2
- PEEL FORCE OF THE COVER TAPE IS 0.1N TO 1.0N  
AT A MAXIMUM PEEL SPEED OF 300mm/min ±10%.
- REFERENCE TO IEC 286-3 EXCEPT WHERE NOTED

COMPONENT	DESCRIPTION
90811-2129	MOBILE PHONE I/O CONNECTOR
90811-2130	1mm Pitch I/O Rpt 16Ckt W/RF
90811-2131	1mm Pitch I/O Rpt 16Ckt W/O RF

ADDED PART NO ECHANGE 2007-0458 2007/05/08 DRIVING DUGGAN 2007/05/13 CHECKED APPR-EFOLIAN 2007/05/16 REV	QUALITY SYMBOLS ▽=0 ▽=0	GENERAL TOLERANCES (UNLESS SPECIFIED) <table border="1"> <thead> <tr> <th></th> <th>mm</th> <th>INCH</th> </tr> </thead> <tbody> <tr> <td>4 PLACES ±</td> <td>---</td> <td>---</td> </tr> <tr> <td>3 PLACES ±</td> <td>---</td> <td>---</td> </tr> <tr> <td>2 PLACES ±</td> <td>0.10</td> <td>---</td> </tr> <tr> <td>1 PLACE ±</td> <td>0.2</td> <td>---</td> </tr> </tbody> </table> ANGULAR ± 5°		mm	INCH	4 PLACES ±	---	---	3 PLACES ±	---	---	2 PLACES ±	0.10	---	1 PLACE ±	0.2	---	DIMENSION STYLE MM ONLY	SCALE S:1	DESIGN UNITS METRIC	THIRD ANGLE PROJECTION
		mm	INCH																		
4 PLACES ±	---	---																			
3 PLACES ±	---	---																			
2 PLACES ±	0.10	---																			
1 PLACE ±	0.2	---																			
DRAWN BY T. MAHON 1998/06/16 CHECKED BY DBRENNAN 1998/06/16 APPROVED BY MILWHITE 1998/06/16	DATE TITLE BLISTER PACKAGING FOR MOBILE PHONE HANDSET	MATERIAL NO. SDA-90811-9001	DOCUMENT NO. SDA-90811-9001	SHEET NO. 3 OF 3	MOLEX INCORPORATED																

DRAFT WHERE APPLICABLE MUST REMAIN WITHIN DIMENSIONS  
 THIS DRAWING CONTAINS INFORMATION THAT IS PROPRIETARY TO MOLEX INCORPORATED AND SHOULD NOT BE USED WITHOUT WRITTEN PERMISSION