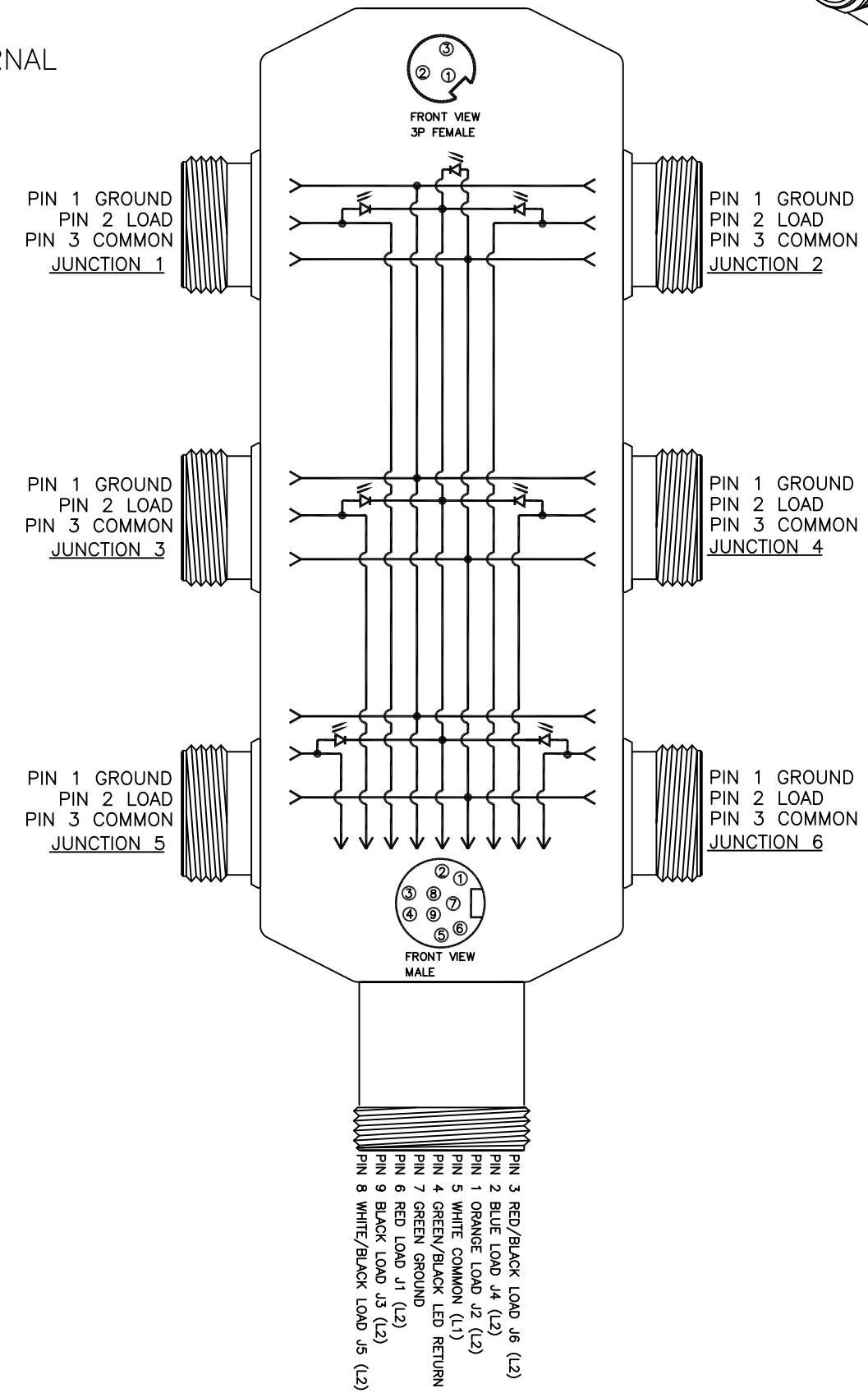
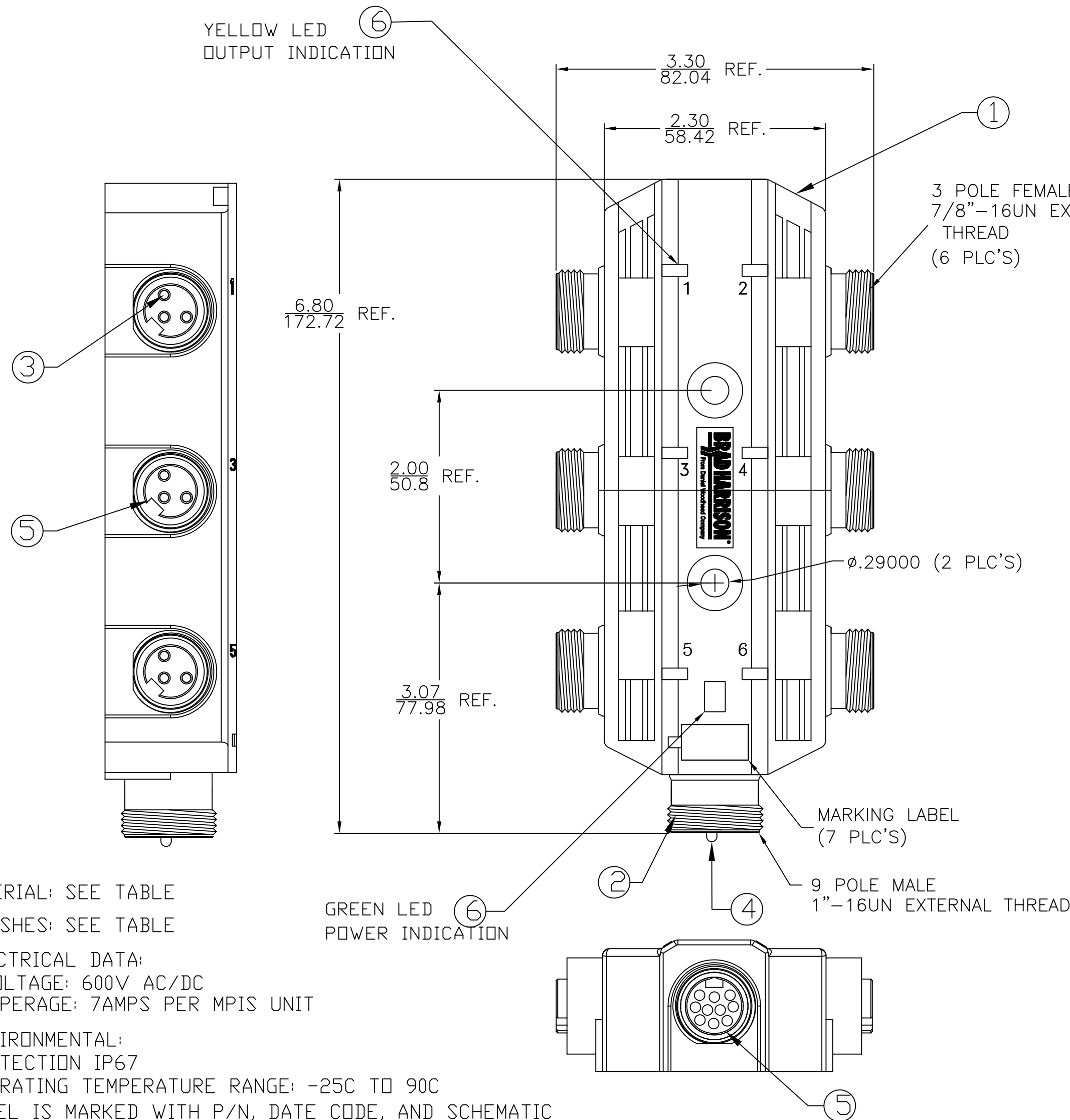
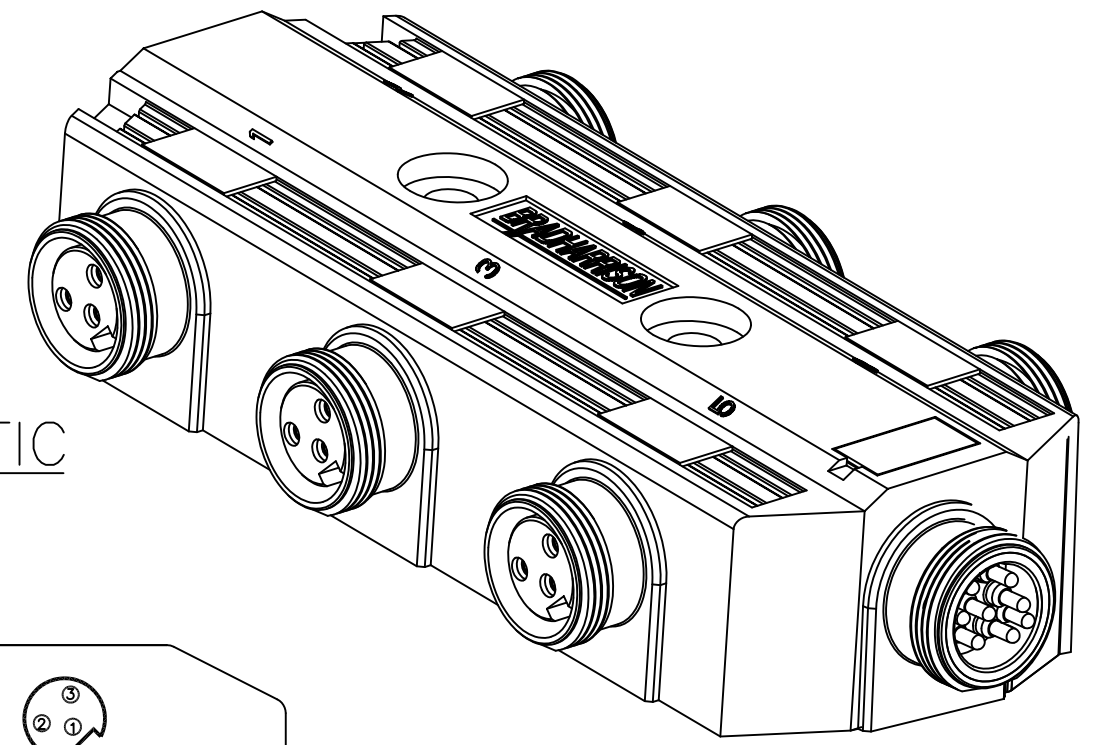


MATERIAL NUMBER
ENGINEERING NUMBER

1300600024 410P601

DIMENSIONAL

SCHEMATIC



- NOTES:
- 1) MATERIAL: SEE TABLE
 - 2) FINISHES: SEE TABLE
 - 3) ELECTRICAL DATA:
VOLTAGE: 600V AC/DC
AMPERAGE: 7AMPS PER MPIS UNIT
 - 4) ENVIRONMENTAL:
PROTECTION IP67
OPERATING TEMPERATURE RANGE: -25C TO 90C
 - 5) LABEL IS MARKED WITH P/N, DATE CODE, AND SCHEMATIC
 - 6) CERTIFICATION:
UL: UL RECOGNIZED
CSA: CSA CERTIFIED

ITEM	QTY.	DESCRIPTION	MATERIAL	FINISH
6	7	LENS	POLYCARBONATE	CLEAR
5	7	INSERT	PVC	YELLOW
4	9	PIN CONTACT	COPPER ALLOY	GOLD PLATED
3	18	SOCKET CONTACT	COPPER ALLOY	GOLD PLATED
2	7	RECEPTACLE SHELL	E-COATED ZINC ALLOY	BLACK
1	1	HOUSING	PBT	YELLOW

RELEASE EC NO: WNA2010-0456 DRWN: TWOLDEGE 2010/01/22 CH'KD: BWOODMAN APPR: JFMURPHY 2010/01/29	QUALITY SYMBOL	GENERAL TOLERANCES (UNLESS SPECIFIED)		DIMENSION STYLE		SCALE	DESIGN UNITS	THIRD ANGLE PROJECTION	
	$\nabla=0$ $\sphericalangle=0$	4 PLACES	mm	INCH	DRAWN BY	DATE	1:1	INCH	TITLE
		3 PLACES	±---	±---	CHECKED BY	DATE			6PORT S. MOUNT MPIS LED 6PORT 3-POLE FEMALE W/ 9P MALE HOME RUN CONN.
		2 PLACES	±0.13	±0.010	APPROVED BY	DATE			MOLEX INCORPORATED
		1 PLACE	±0.25	±0.020	JFMURPHY	2010/01/29			MOLEX INCORPORATED
		ANGULAR ±1/2°		MATERIAL NO.		DOCUMENT NO.		SHEET NO.	
		DRAFT WHERE APPLICABLE MUST REMAIN WITHIN DIMENSIONS		SEE CHART		SD-130060-006		1 OF 1	
		THIS DRAWING CONTAINS INFORMATION THAT IS PROPRIETARY TO MOLEX INCORPORATED AND SHOULD NOT BE USED WITHOUT WRITTEN PERMISSION							