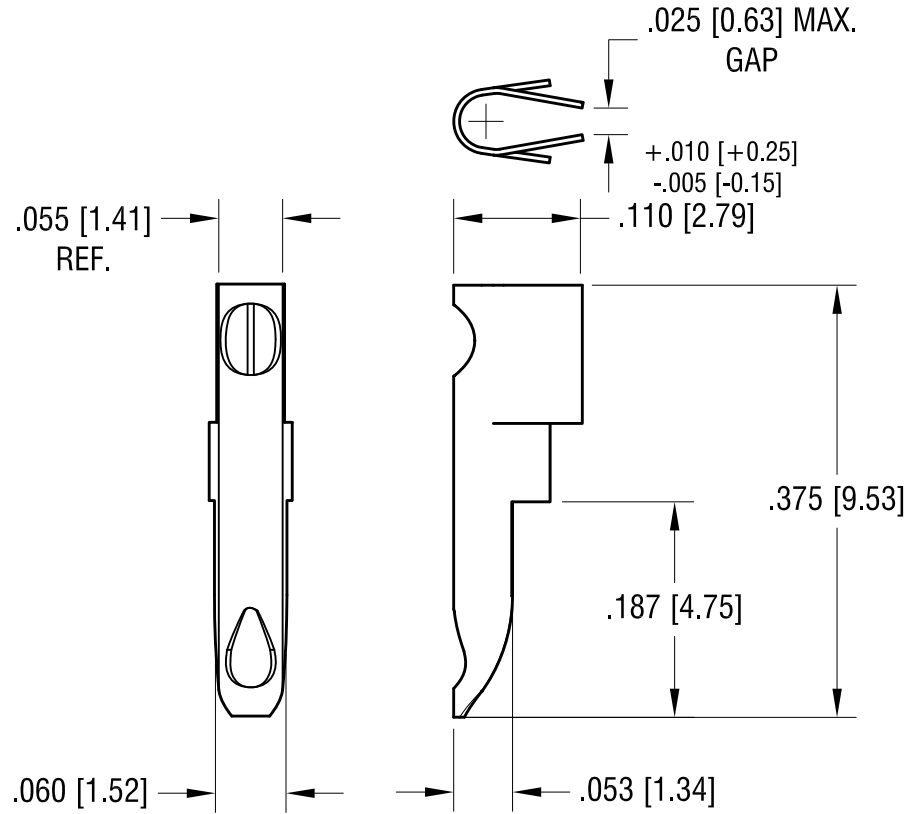


THIS DOCUMENT IS THE PROPERTY OF
KEYSTONE ELECTRONICS CORP. AND
SHALL NOT BE REPRODUCED, DISTRIBUTED
OR USED AS A BASIS FOR MANUFACTURE
WITHOUT PRIOR WRITTEN PERMISSION
FROM KEYSTONE ELECTRONICS CORP.

ACTUAL SIZE



NOTE:

1. HEAT TREAT TO SPRING TEMPER

7.07.16	CHANGE AS PER ECR 16-035	F
1.16.15	CHANGE AS PER ECN 15-009	E
9.21.09	CHANGE AS PER ECN 09-132	D
8.13.08	CHANGE AS PER ECN 08-138	C
6.27.08	CHANGE AS PER ECN 08-114	B
7.14.99	CHANGE AS PER ECN 99-052	A
DATE	DESCRIPTION	REV.

KEYSTONE ELECTRONICS CORP.			
www.keyelco.com • ASTORIA, N.Y. 11105-2017 • Tel (718) 956-8900			
PART NAME		FLEA CLIP	
MATERIAL			
.005 [0.15] TH'K BERYLLIUM COPPER			
FINISH		DRN BY	DATE
MATTE TIN PLATE		BOONE	5.26.82
		APP'D	SCALE
		LN	6X
TOLERANCES	INCH [MM]	CODE	DWG NO.
DECIMAL	± .005 [± 0.13]	C	1500
ANGULAR	± 1°		
UNLESS OTHERWISE SPECIFIED			