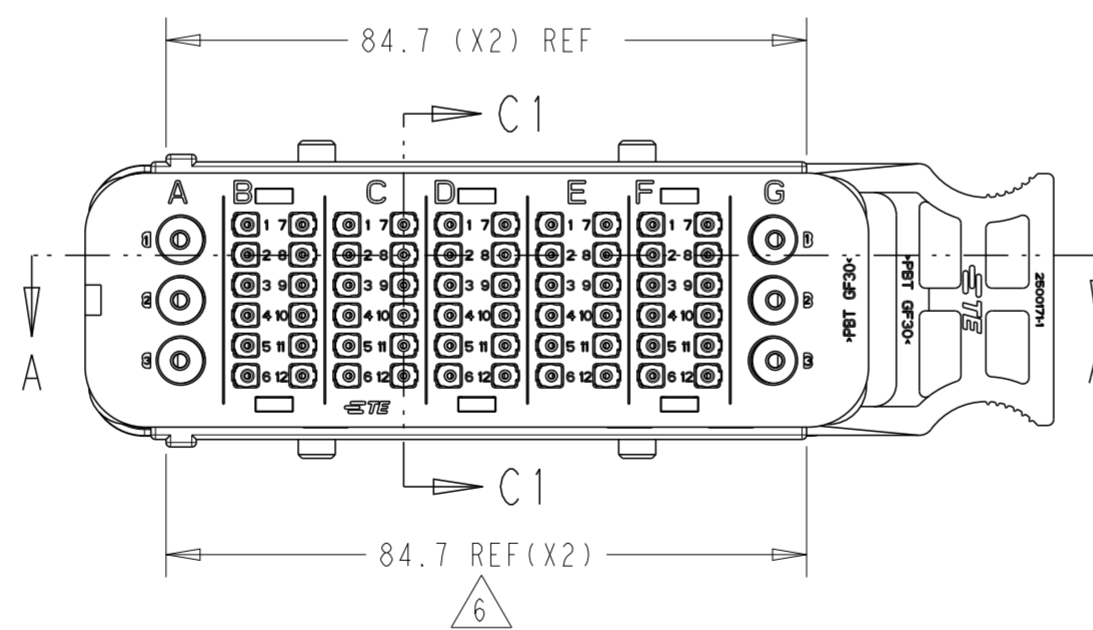
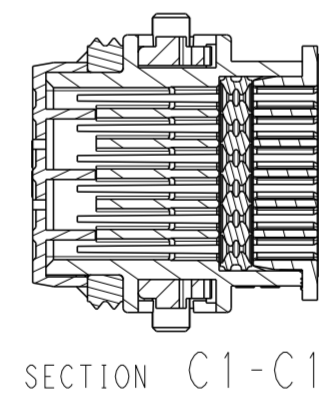
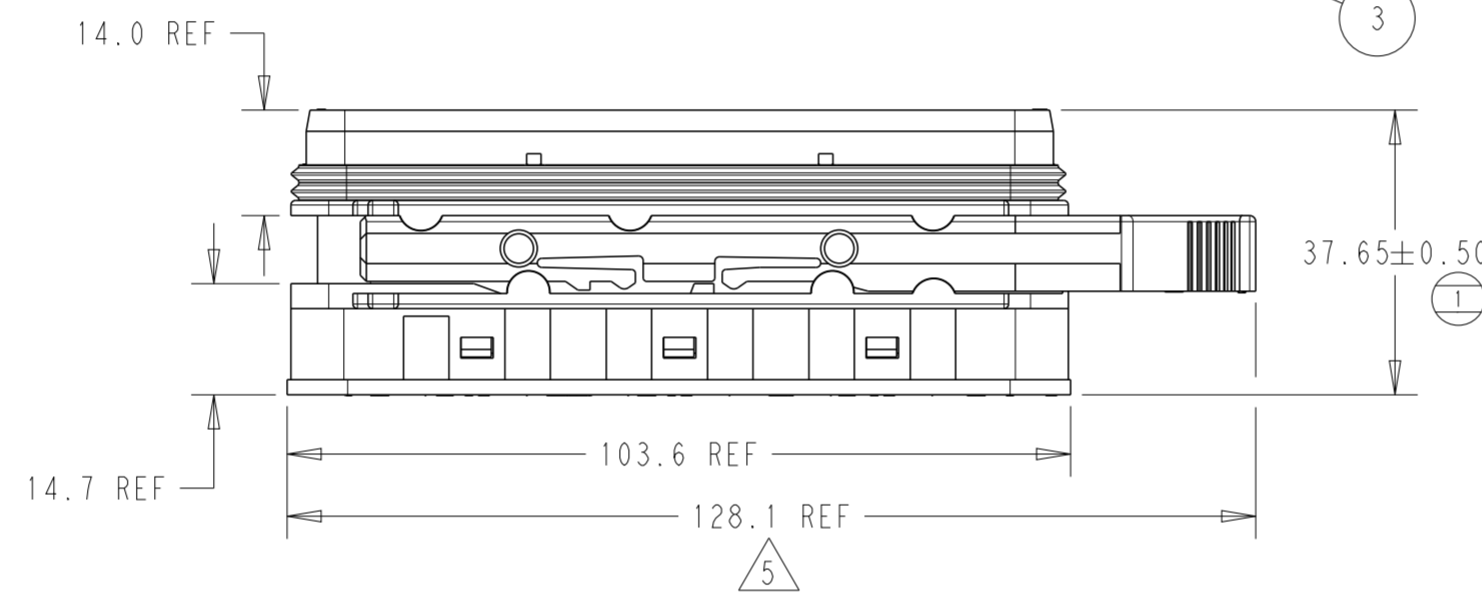
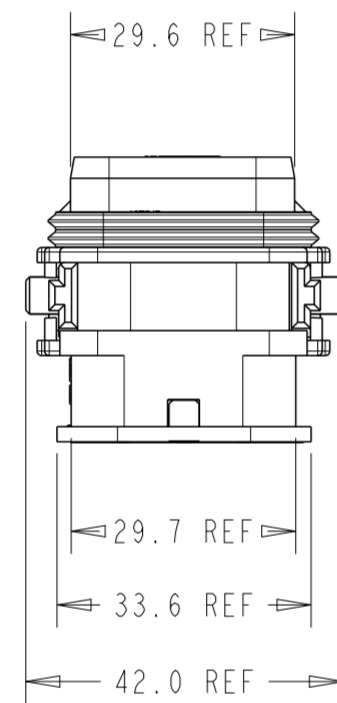
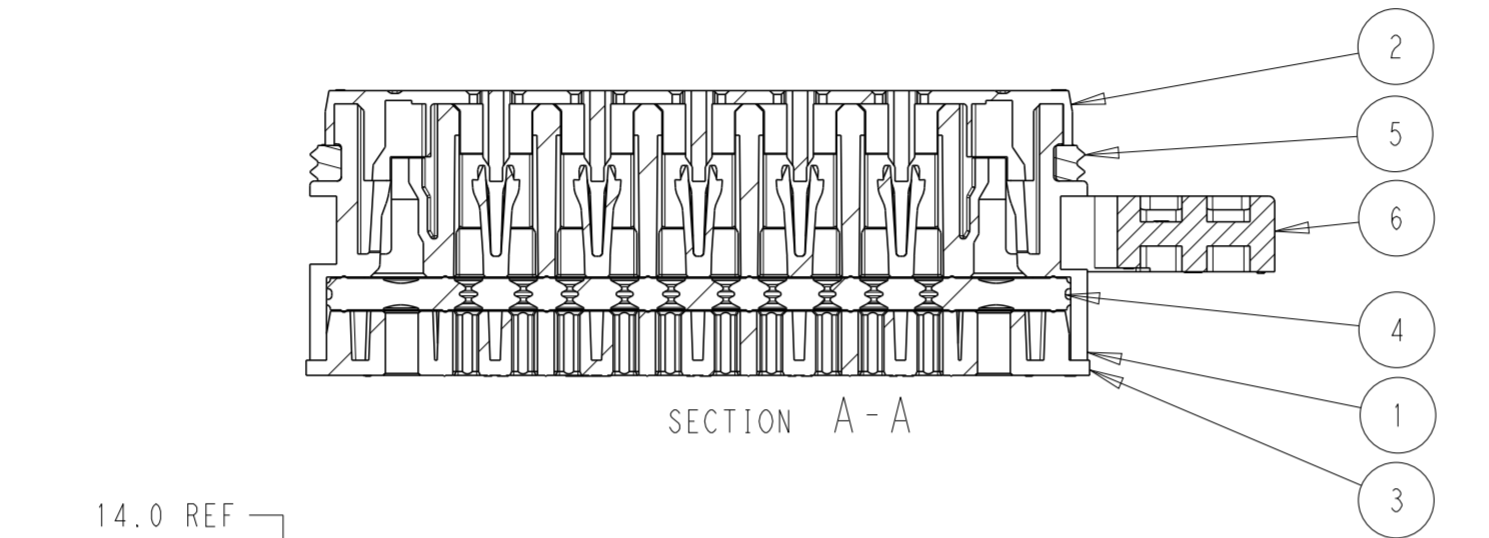
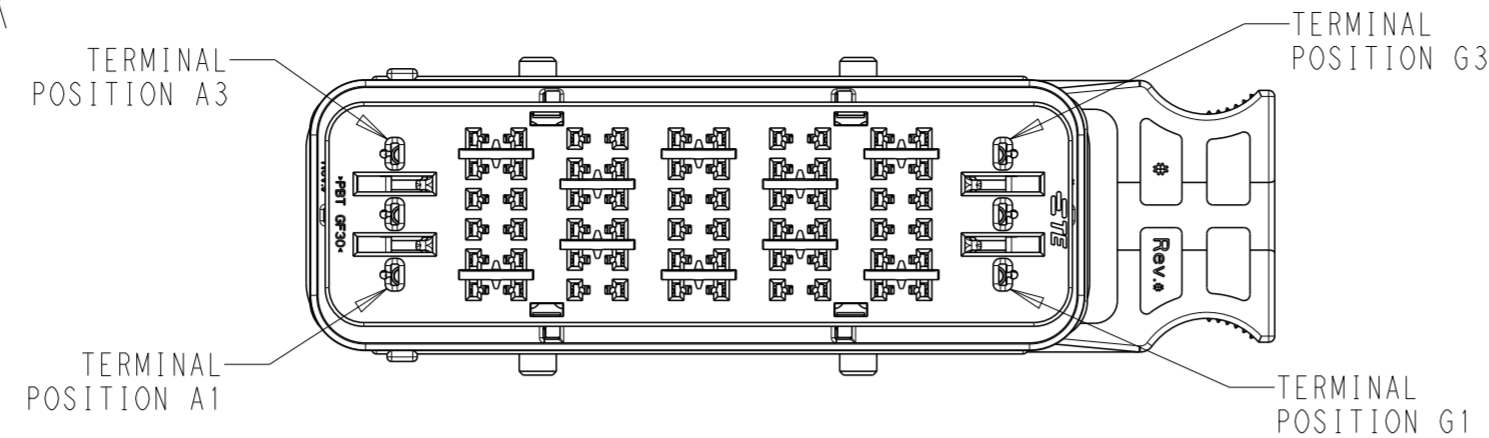
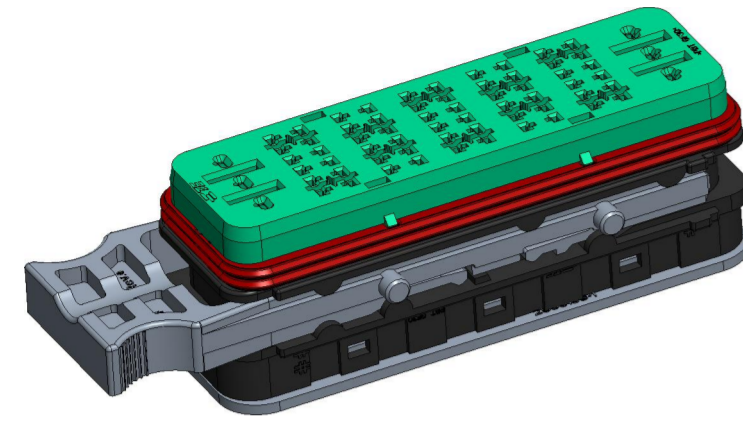


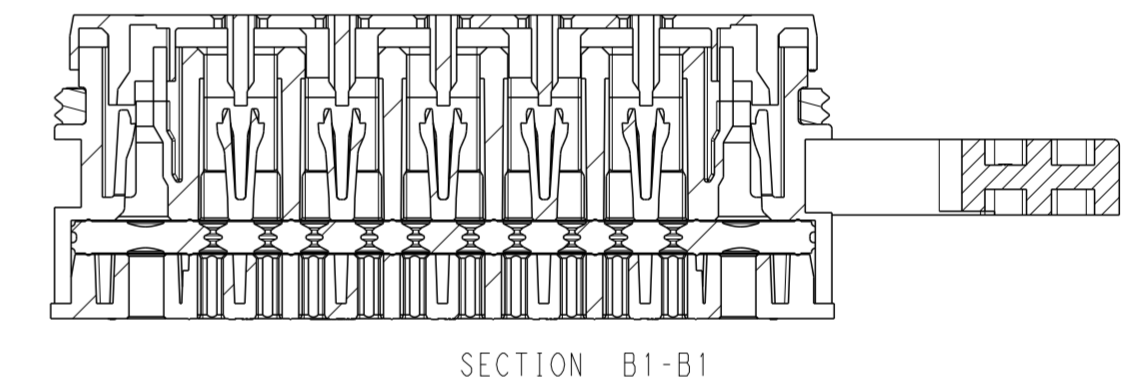
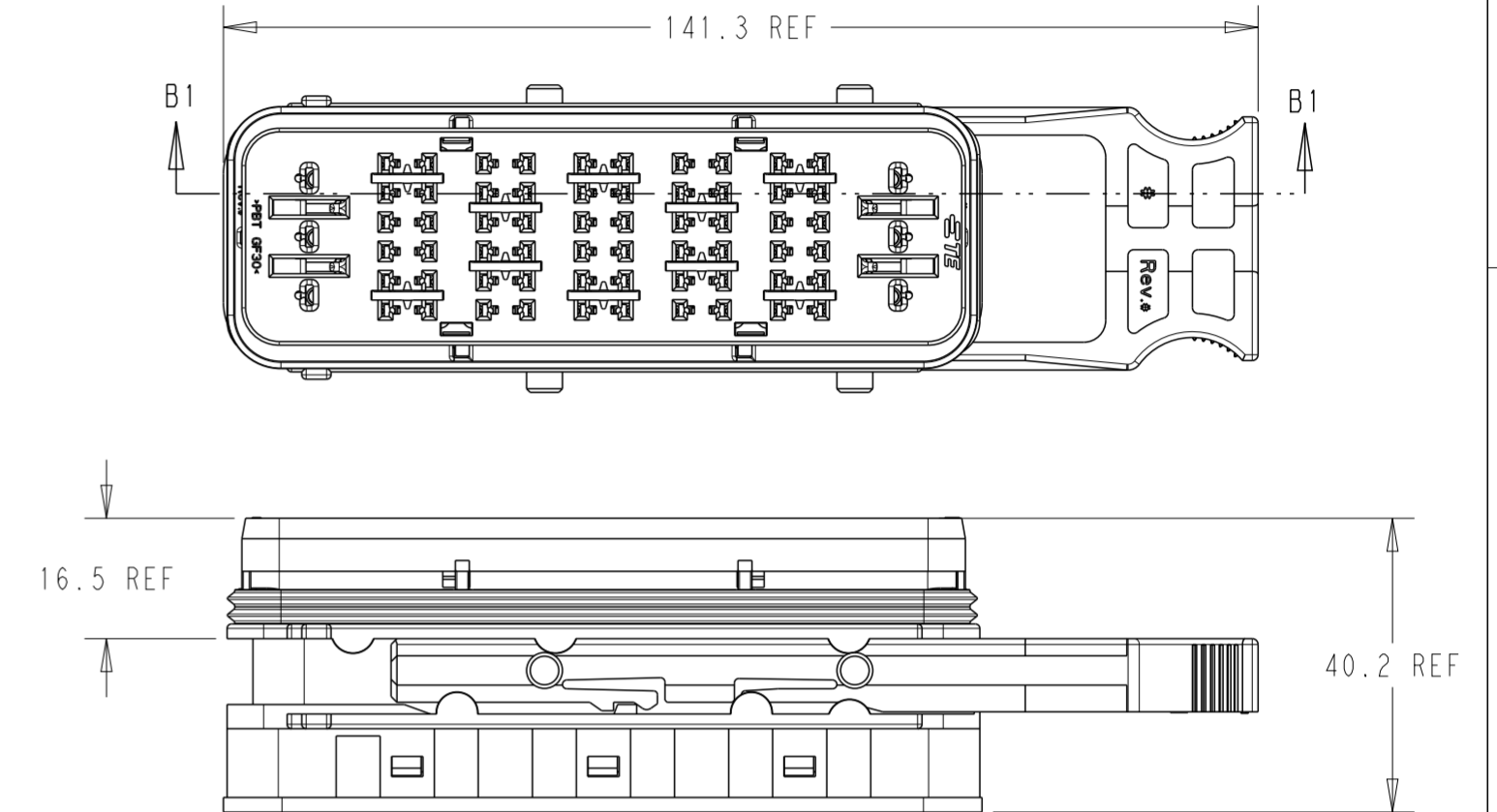
SRC POWER 60+6AG MAIN HOUSING BLACK

TPA IN FULL-LOCK (AS SHIPPED) POSITION AND LATCH IN PARTIALLY OPEN POSITION



REVISIONS					
P	LTR	DESCRIPTION	DATE	DWN	APVD
A3		ECO-20-009048	15JUL2020	MHS	MT
B		PCN-21-123224	23DEC2021	DRK	AW

TPA IN PRE_LOAD POSITION AND LATCH IN OPEN POSITION



NOTES:

- MATERIALS:
HOUSINGS: POLYESTER (PBT), GLASS FILLED, UL 94 HB
SEAL: SILICONE RUBBER
- VARIATION OF SHADE WITHIN OR BETWEEN BATCHES, OR DISCOLORATION IS ACCEPTABLE
- MX150 RECEPTACLE TERMINALS TO BE USED WITH THESE ASSEMBLIES IN CAVITIES B,C, D,E AND F, CRIMPED WITH CABLE INSULATION OUTER DIAMETER IN THE RANGE 1.5mm TO 2.7mm
- MX150L RECEPTACLE TERMINALS TO BE USED WITH THESE ASSEMBLIES IN CAVITIES A AND G, CRIMPED WITH CABLE INSULATION OUTER DIAMETER IN THE RANGE 3.0mm TO 5.0mm
- PACKAGING SPECIFICATION: TEC-107-160003-02, LATCH SHIPPED IN PARTIALLY OPEN POSITION
- MATES WITH SRC POWER BLADE HOUSING ASSEMBLY (BLACK) PN 2500021-1 (OLD PN 937926006)
- CONDUIT INTERFACE OPTIONS REFER TO 2500034
- PRESENCE OF TE CONNECTIVITY LOGO OPTIONAL ON FRONT COVER, REAR COVER, SLIDING LATCH AND HOUSING.

No.	DESCRIPTION	QTY.	COLOR
6	SLIDING LATCH	1	BLACK
5	FEMALE FRONT SEAL	1	RED
4	FEMALE BACK SEAL	1	LIGHT BLUE
3	FEMALE REAR COVER	1	BLACK
2	FEMALE FRONT COVER	1	GREEN
1	FEMALE HOUSING	1	BLACK
BILL OF MATERIAL			

ACCEPTABLE CABLE INSULATION Ø RANGES (mm) - NOTE 3 & 4						
CAVITY SET						
A	B	C	D	E	F	G
3.0 - 5.0	1.5 - 2.7	1.5 - 2.7	1.5 - 2.7	1.5 - 2.7	1.5 - 2.7	3.0 - 5.0

850840700	2500005-1
OLD P/N	PART NO

THIS DRAWING IS A CONTROLLED DOCUMENT.		DWN MANOHAR H S 15JUL2020	TE Connectivity	
DIMENSIONS: mm		CHK M TRULL 15JUL2020		
TOLERANCES UNLESS OTHERWISE SPECIFIED:		APVD M TRULL 15JUL2020	NAME SRC Pwr 60+6AG FEMALE RECEPTACLE HSG ASSY	
0 PLC ±		PRODUCT SPEC TEC-108-160018	APPLICATION SPEC	
1 PLC ±		TEC-114-160015	DRAWING NO	
2 PLC ±		WEIGHT	RESTRICTED TO	
3 PLC ±		CUSTOMER DRAWING	SCALE 5:1 SHEET 1 OF 1 REV B	
4 PLC ±				
ANGLES ±				
FINISH				