



# 1215.6-1239.6 MHz / 1563.42-1587.42 MHz Cavity Duplexer

**ANATECH ELECTRONICS INC**  
RF & Microwave Filters & Products

**Part Number: AD1227-1575C102**

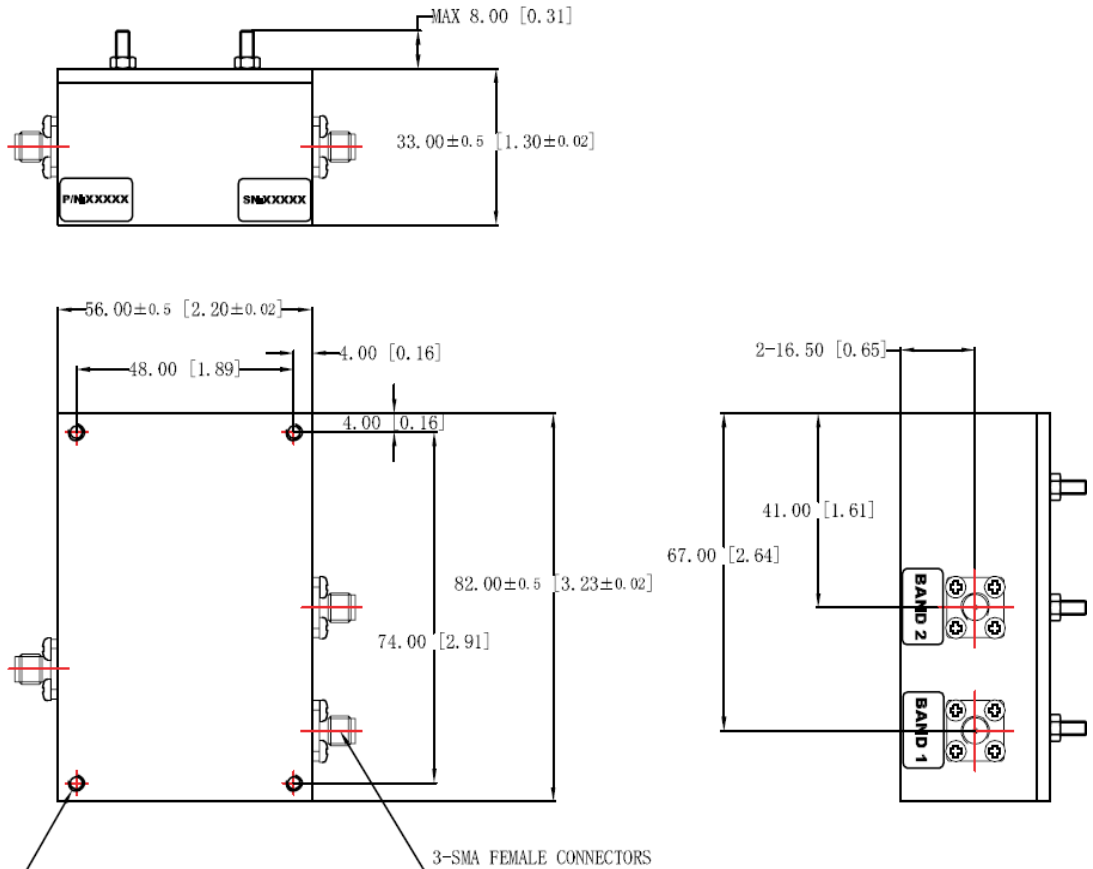


<u>Characteristics</u>	<u>Band 1</u>	<u>Band 2</u>
<b>Passband:</b>	1215.6-1239.6 MHz	1563.42-1587.42 MHz
<b>Bandwidth:</b>	24 MHz	24 MHz
<b>Passband Return Loss:</b>	15 dB	15 dB
<b>Passband Insertion Loss:</b>	< 1 dB	< 1 dB
<b>Passband Ripple:</b>	0.2 dB	0.2 dB
<b>Input / Output Impedance:</b>	50 Ohms	50 Ohms
<b>Isolation:</b>	20 dB	60 dB
<b>Power Handling:</b>		25 watts max.

<u>Mechanical</u>	
<b>Mounting Method:</b>	6-32 Threaded Mounting Holes
<b>Connector Type:</b>	3-SMA (F)
<b>Dimensions:</b>	82 x 56 x 41 mm

<u>Environmental</u>	
<b>Operating Temperature:</b>	-40 to +70 deg.C
<b>Storage Temperature:</b>	-50 to +90 deg.C

## Outline Drawing:





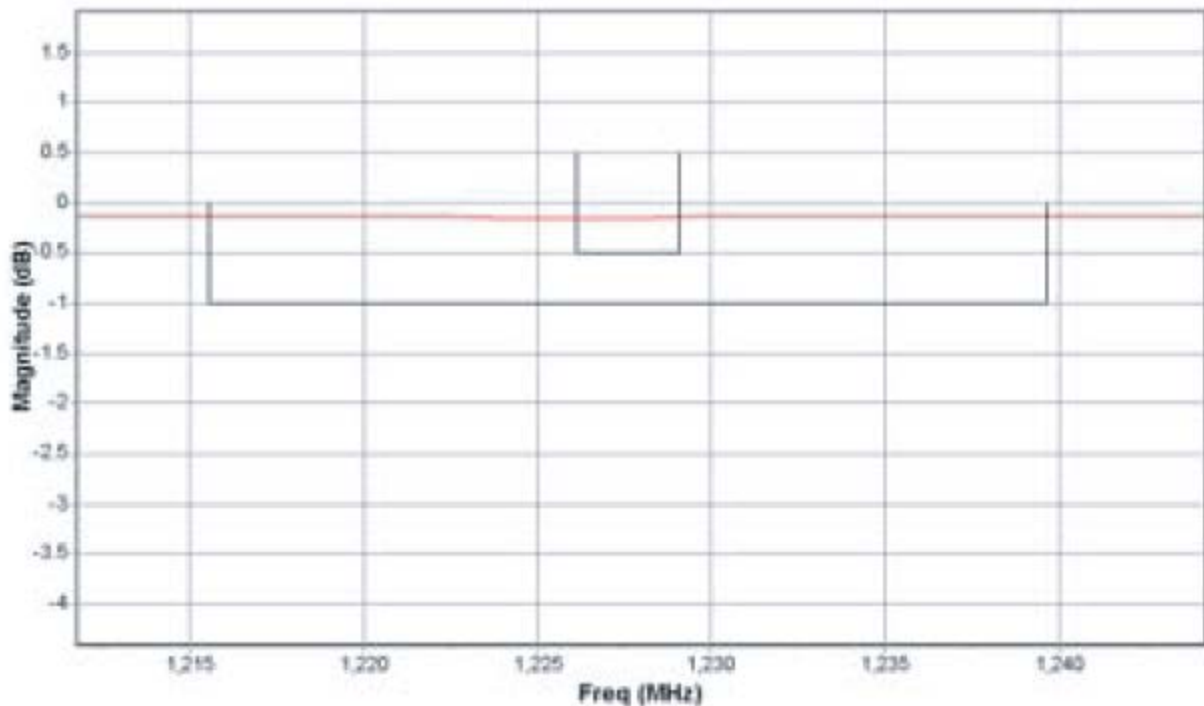
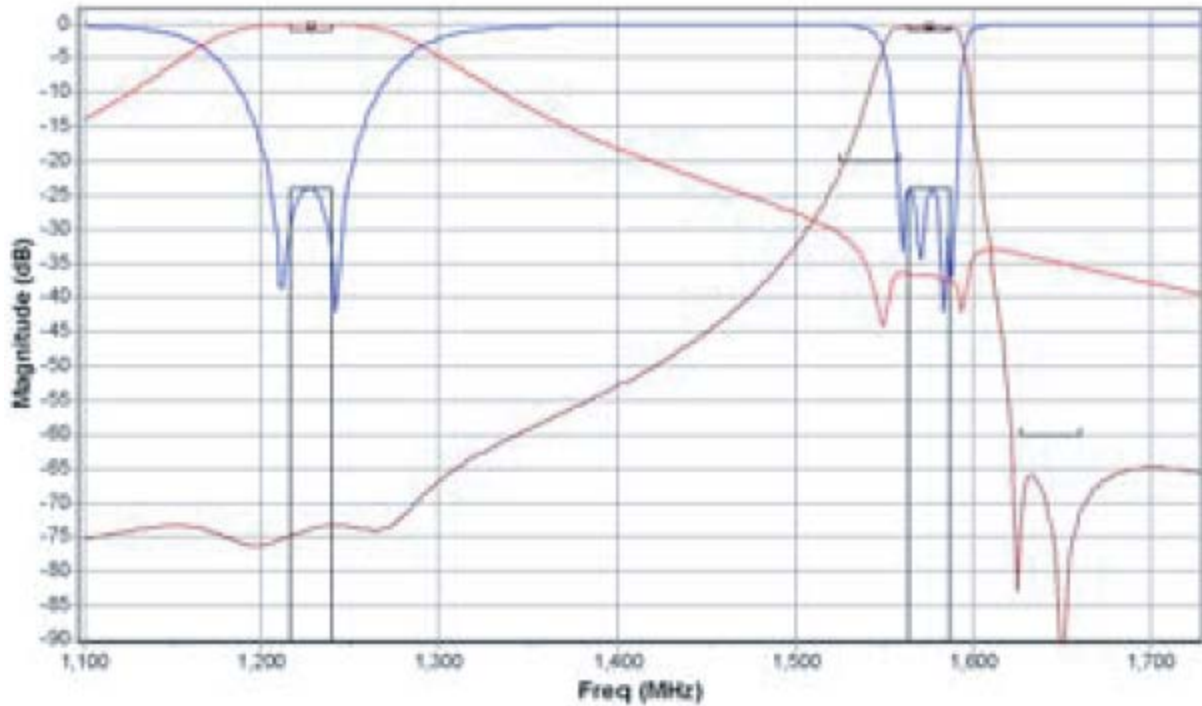
# 1215.6-1239.6 MHz / 1563.42-1587.42 MHz Cavity Duplexer

**ANATECH ELECTRONICS INC**  
RF & Microwave Filters & Products

**Part Number: AD1227-1575C102-D**



## Response Plots:





**ANATECH ELECTRONICS INC**  
RF & Microwave Filters & Products

**1215.6-1239.6 MHz / 1563.42-1587.42 MHz**  
**Cavity Duplexer**

**Part Number: AD1227-1575C102-D**



**Response Plot:**

