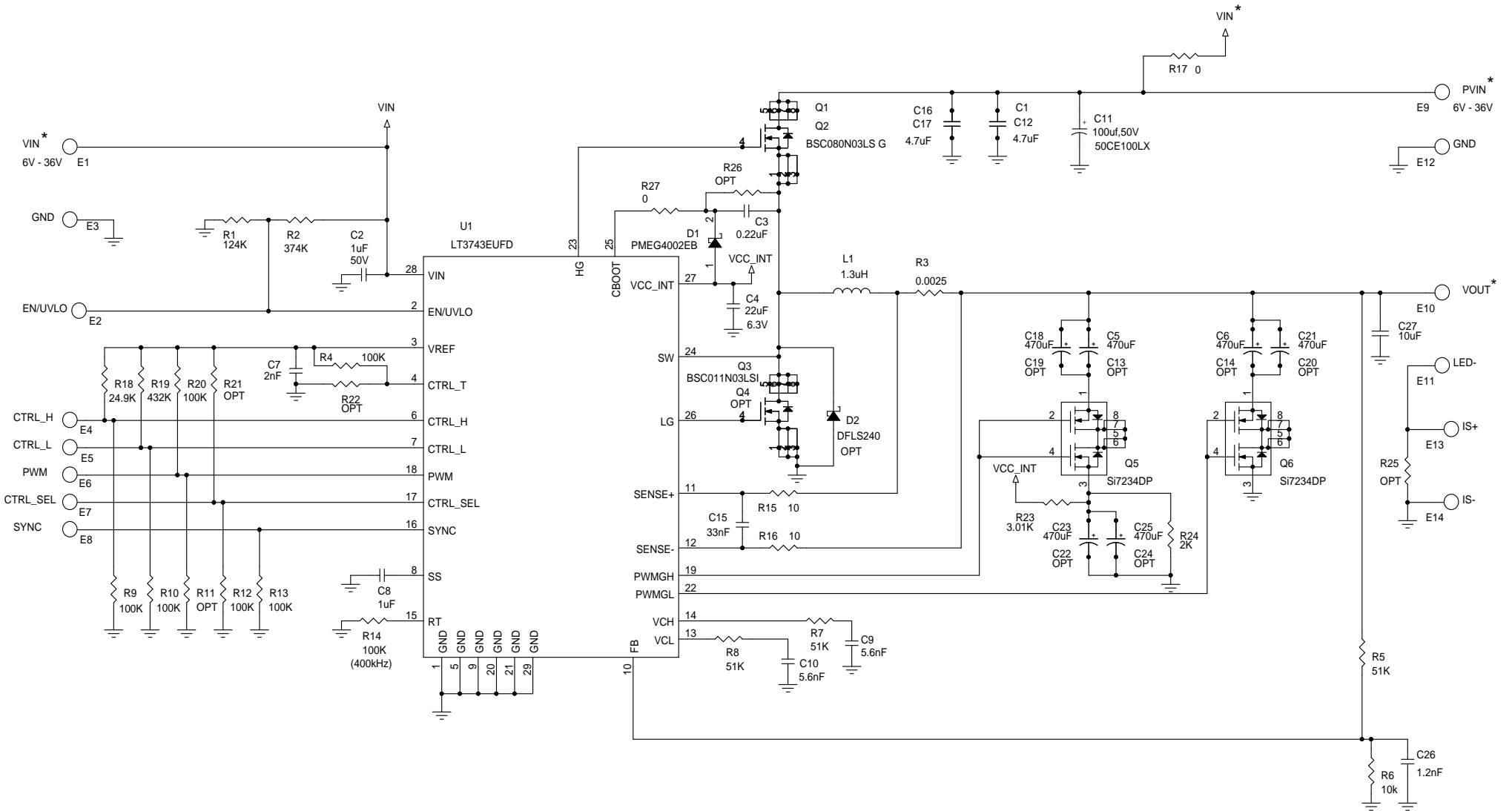



REVISION HISTORY				
ECO	REV	DESCRIPTION	APPROVED	DATE
1	3	PRODUCTION	WALKER B.	10-02-09



\* See Quick Start Guide

CUSTOMER NOTICE		CONTRACT NO.	1630 McCarthy Blvd. Milpitas, CA 95035 Phone: (408)432-1900 Fax: (408)434-0507 LTC Confidential-For Customer Use Only	
LINEAR TECHNOLOGY HAS MADE A BEST EFFORT TO DESIGN A CIRCUIT THAT MEETS CUSTOMER-SUPPLIED SPECIFICATIONS; HOWEVER, IT REMAINS THE CUSTOMER'S RESPONSIBILITY TO VERIFY PROPER AND RELIABLE OPERATION IN THE ACTUAL APPLICATION. COMPONENT SUBSTITUTION AND PRINTED CIRCUIT BOARD LAYOUT MAY SIGNIFICANTLY AFFECT CIRCUIT PERFORMANCE OR RELIABILITY. CONTACT LINEAR TECHNOLOGY APPLICATIONS ENGINEERING FOR ASSISTANCE.		APPROVALS		
THIS CIRCUIT IS PROPRIETARY TO LINEAR TECHNOLOGY AND SUPPLIED FOR USE WITH LINEAR TECHNOLOGY PARTS.		PCB DES. ANTONINA K.		
		ENG. WALKER B.	TITLE: SCHEMATIC HIGH CURRENT SYNCHRONOUS STEP-DOWN LED DRIVER WITH THREE-STATE CONTROL	
			SIZE A	IC NO. LT3743EUFD
			REVISION 3	
			DATE: Friday, July 31, 2015	SHEET 1 OF 1