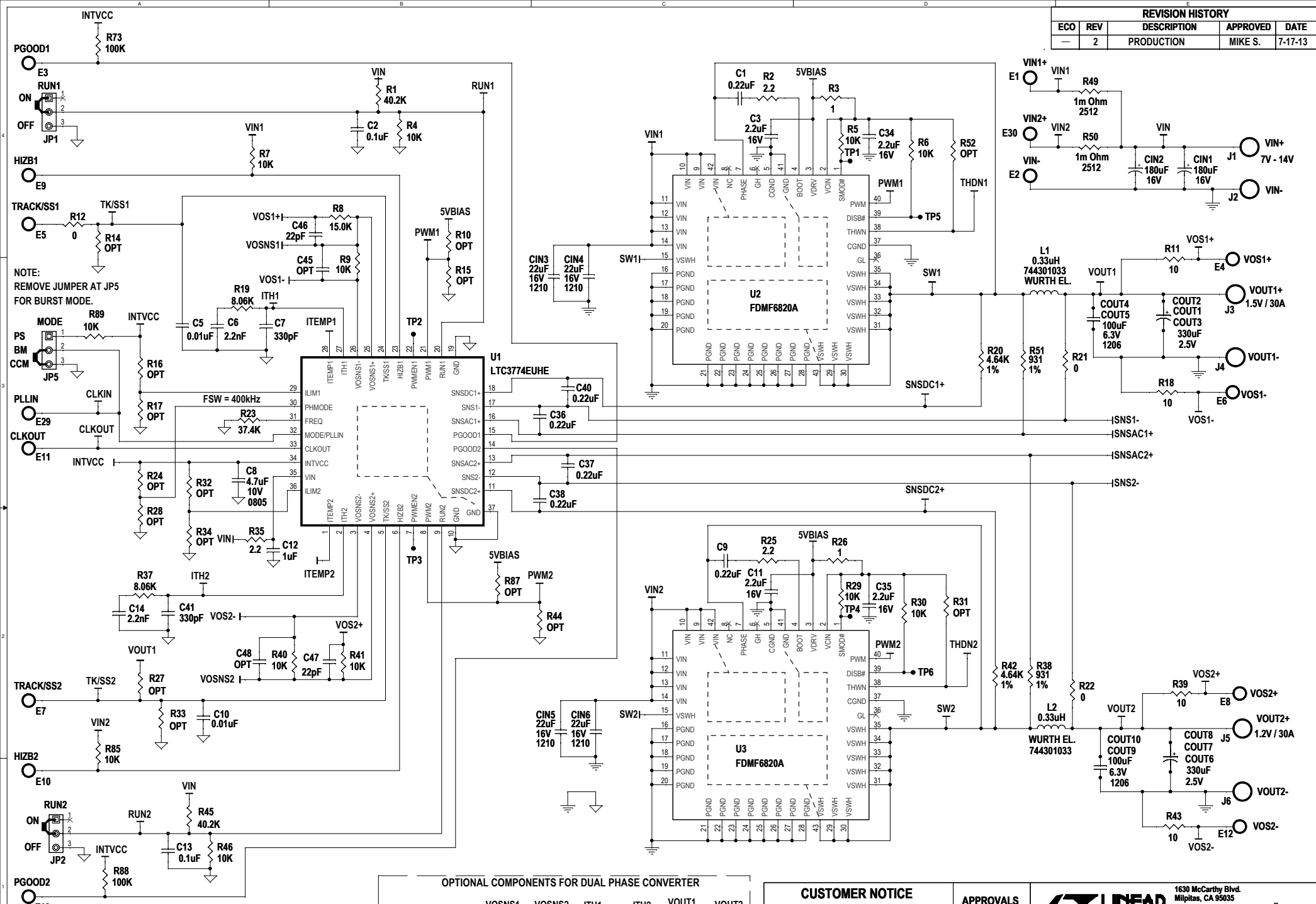
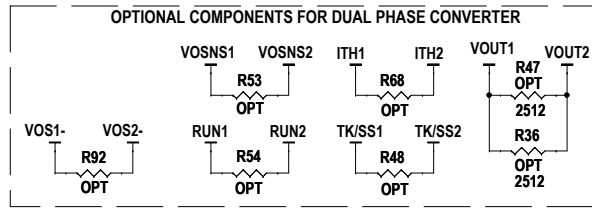


REVISION HISTORY				
ECO	REV	DESCRIPTION	APPROVED	DATE
-	2	PRODUCTION	MIKE S.	7-17-13



NOTE:  
REMOVE JUMPER AT JP5  
FOR BURST MODE.

NOTE: UNLESS OTHERWISE SPECIFIED  
1. ALL RESISTORS ARE IN OHMS, 0603.  
ALL CAPACITORS ARE 0603.



**CUSTOMER NOTICE**  
LINEAR TECHNOLOGY HAS MADE A BEST EFFORT TO DESIGN A CIRCUIT THAT MEETS CUSTOMER-SUPPLIED SPECIFICATIONS; HOWEVER, IT REMAINS THE CUSTOMER'S RESPONSIBILITY TO VERIFY PROPER AND RELIABLE OPERATION IN THE ACTUAL APPLICATION. COMPONENT SUBSTITUTION AND PRINTED CIRCUIT BOARD LAYOUT MAY SIGNIFICANTLY AFFECT CIRCUIT PERFORMANCE OR RELIABILITY. CONTACT LINEAR TECHNOLOGY APPLICATIONS ENGINEERING FOR ASSISTANCE.

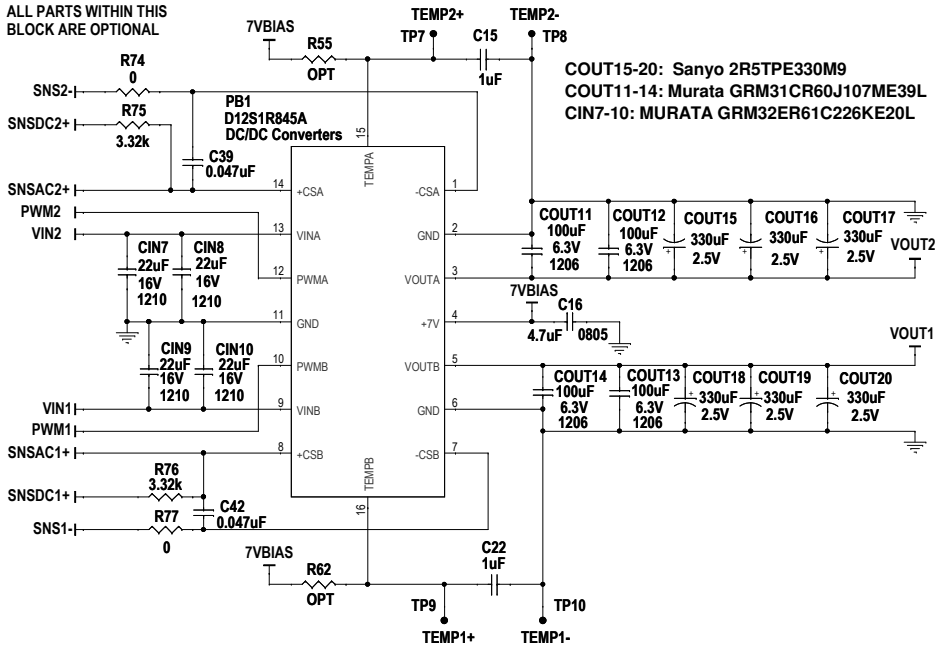
THIS CIRCUIT IS PROPRIETARY TO LINEAR TECHNOLOGY AND SUPPLIED FOR USE WITH LINEAR TECHNOLOGY PARTS.

APPROVALS		TITLE: SCHEMATIC HIGH EFFICIENCY DUAL OUTPUT STEP-DOWN CONVERTER WITH VERY LOW DCR INDUCTOR	SIZE N/A	IC NO. LTC3774EUHE DEMO CIRCUIT 2002A	REV. 2
PCB DES.	LT				
APP ENG.	MIKE S.				
SCALE	NONE	DATE:	Wednesday, July 17, 2013	SHEET	1 OF 3

**LINEAR TECHNOLOGY**  
1630 McCarthy Blvd.  
Milpitas, CA 95035  
Phone: (408)432-1900 www.linear.com  
Fax: (408)434-0987  
LTC Confidential-For Customer Use Only

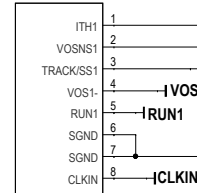
### OPTIONAL POWER BLOCK

NOTE:  
ALL PARTS WITHIN THIS  
BLOCK ARE OPTIONAL



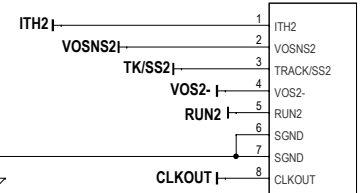
### HEADER/SOCKET TO PARALLEL DC2002A TO ANOTHER DC2002A

**J8**  
RIGHT ANGLE  
HEADER



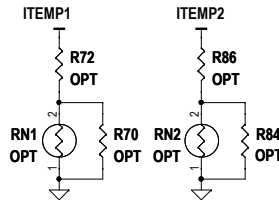
MILL MAXX  
802-40-008-20-001000

**J9**  
RIGHT ANGLE  
SOCKET

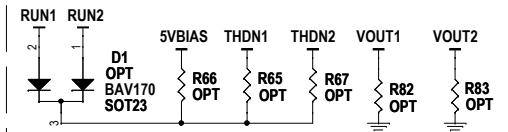


MILL MAXX  
803-43-008-20-001000

### OPTIONAL NTC COMPENSATION NETWORK FOR DCR SENSING

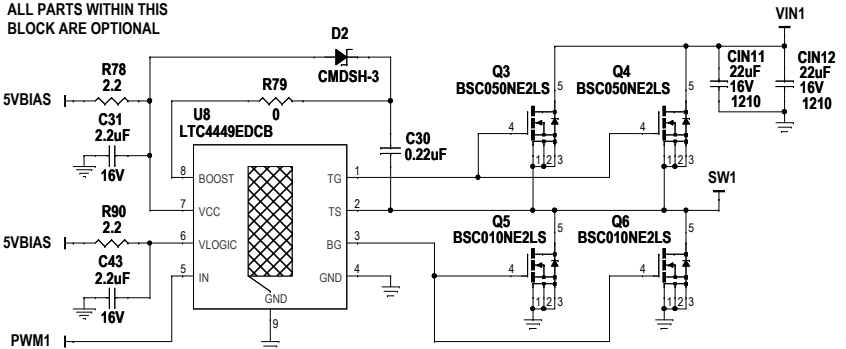


### OPTIONAL UVLO CIRCUIT



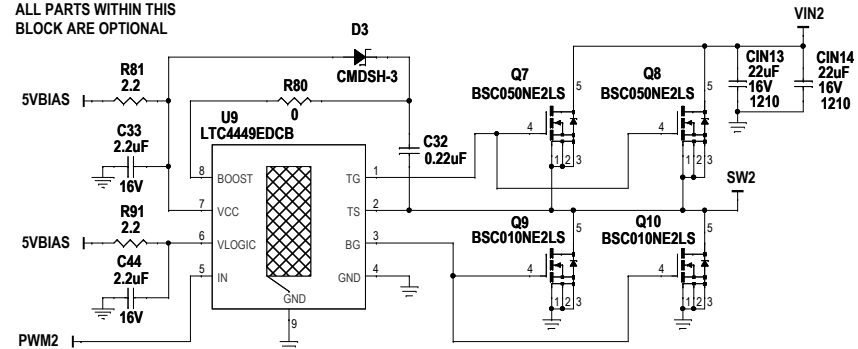
### OPTIONAL DISCRETE GATE DRIVER AND MOSFETS FOR PHASE 1

NOTE:  
ALL PARTS WITHIN THIS  
BLOCK ARE OPTIONAL



### OPTIONAL DISCRETE GATE DRIVER AND MOSFETS FOR PHASE 2

NOTE:  
ALL PARTS WITHIN THIS  
BLOCK ARE OPTIONAL



### CUSTOMER NOTICE

LINEAR TECHNOLOGY HAS MADE A BEST EFFORT TO DESIGN A CIRCUIT THAT MEETS CUSTOMER-SUPPLIED SPECIFICATIONS; HOWEVER, IT REMAINS THE CUSTOMER'S RESPONSIBILITY TO VERIFY PROPER AND RELIABLE OPERATION IN THE ACTUAL APPLICATION. COMPONENT SUBSTITUTION AND PRINTED CIRCUIT BOARD LAYOUT MAY SIGNIFICANTLY AFFECT CIRCUIT PERFORMANCE OR RELIABILITY. CONTACT LINEAR TECHNOLOGY APPLICATIONS ENGINEERING FOR ASSISTANCE.

THIS CIRCUIT IS PROPRIETARY TO LINEAR TECHNOLOGY AND SUPPLIED FOR USE WITH LINEAR TECHNOLOGY PARTS.

### APPROVALS

PCB DES. LT

APP ENG. MIKE S.

SCALE = NONE



1630 McCarthy Blvd.  
Milpitas, CA 95035  
Phone: (408)432-1900 www.linear.com  
Fax: (408)434-0507  
LTC Confidential-For Customer Use Only

TITLE: SCHEMATIC HIGH EFFICIENCY DUAL OUTPUT  
STEP-DOWN CONVERTER WITH VERY LOW DCR INDUCTOR

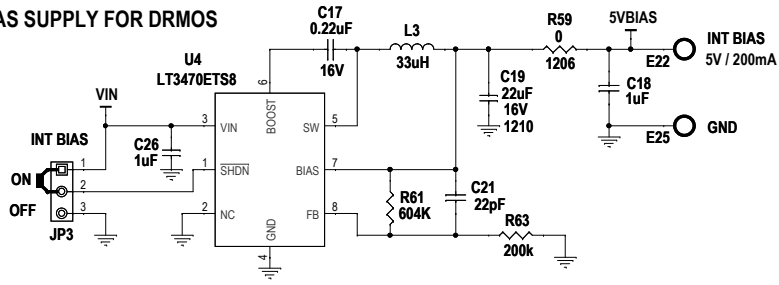
SIZE IC NO. LTC3774EUHE  
N/A DEMO CIRCUIT 2002A

DATE: Wednesday, July 17, 2013

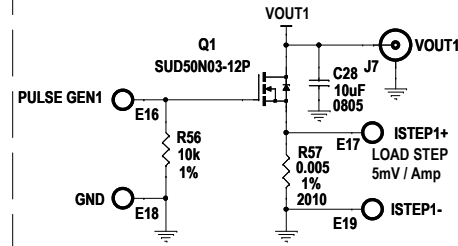
REV. 2

SHEET 2 OF 3

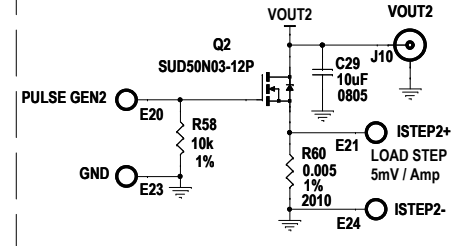
### BIAS SUPPLY FOR DRMOS



### DYNAMIC LOAD CIRCUIT FOR VOUT1

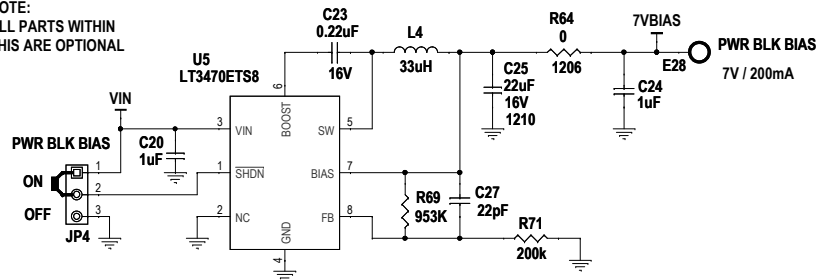


### DYNAMIC LOAD CIRCUIT FOR VOUT2



### OPTIONAL BIAS SUPPLY FOR POWER BLOCK

NOTE:  
ALL PARTS WITHIN  
THIS ARE OPTIONAL



### CUSTOMER NOTICE

LINEAR TECHNOLOGY HAS MADE A BEST EFFORT TO DESIGN A CIRCUIT THAT MEETS CUSTOMER-SUPPLIED SPECIFICATIONS; HOWEVER, IT REMAINS THE CUSTOMER'S RESPONSIBILITY TO VERIFY PROPER AND RELIABLE OPERATION IN THE ACTUAL APPLICATION. COMPONENT SUBSTITUTION AND PRINTED CIRCUIT BOARD LAYOUT MAY SIGNIFICANTLY AFFECT CIRCUIT PERFORMANCE OR RELIABILITY. CONTACT LINEAR TECHNOLOGY APPLICATIONS ENGINEERING FOR ASSISTANCE.

THIS CIRCUIT IS PROPRIETARY TO LINEAR TECHNOLOGY AND SUPPLIED FOR USE WITH LINEAR TECHNOLOGY PARTS.

### APPROVALS

PCB DES. LT

APP ENG. MIKE S.

SCALE = NONE



1630 McCarthy Blvd.  
Milpitas, CA 95035  
Phone: (408)432-1900 www.linear.com  
Fax: (408)434-0507  
LTC Confidential-For Customer Use Only

TITLE: SCHEMATIC HIGH EFFICIENCY DUAL OUTPUT  
STEP-DOWN CONVERTER WITH VERY LOW DCR INDUCTOR

SIZE IC NO. LTC3774EUHE REV. 2  
N/A DEMO CIRCUIT 2002A

DATE: Wednesday, July 17, 2013 SHEET 3 OF 3