

MATERIAL

AISI 304 stainless steel.

RIVETS

AISI 304 stainless steel.

PULLING HOOK

Perpendicular to clamping arm, AISI 303 stainless steel.

OSCILLATING PIN AND NUTS

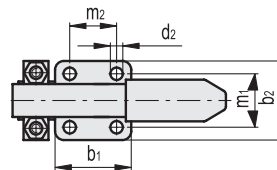
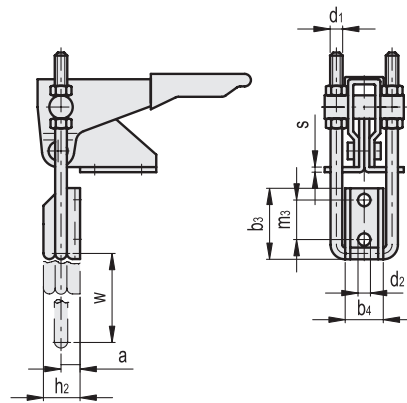
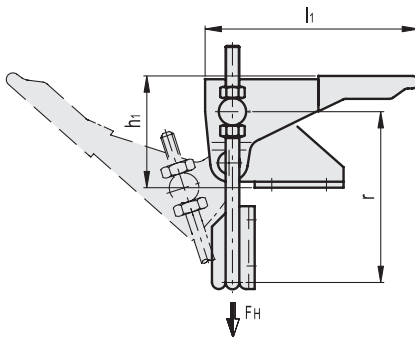
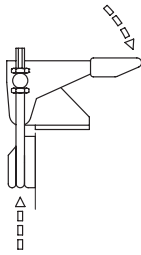
AISI 303 stainless steel.

HANDLE

Polyurethane, red colour.

FEATURES AND APPLICATIONS

All articulated joints are lubricated with special grease.
MTD. clamps ensure tight closing of any cover.
The position of the pulling hook can be adjusted in length according to the specific applications.



- 1
- 2
- 3
- 4
- 5
- 6
- 7
- 8
- 9
- 10
- 11
- 12
- 13
- 14
- 15
- 16
- 17
- 18

Code	Description	INOX STAINLESS STEEL METRIC															Stroke w	FH [N]*	⚖
		a	b1	b2	b3	b4	d1	d2	h1	h2	l1	m1	m2	m3	r	s			
GG.AS530	MTD.160-T3X	5	26	35	25.5	14	M4	4.3	36	10	68	22	13	14.3	48+58	2	34.5	1600	100
GG.AS535	MTD.320-T3X	8	36	44	37	22	M6	6.5	52.5	15	106	25.5	19	20.5	75+95	3	53	3200	320
GG.AS540	MTD.700-T3X	13	52	54	48.5	26	M8	8.5	66	23	147	36.5	32	27	98+122	3.5	64	7500	680

* Holding force.

