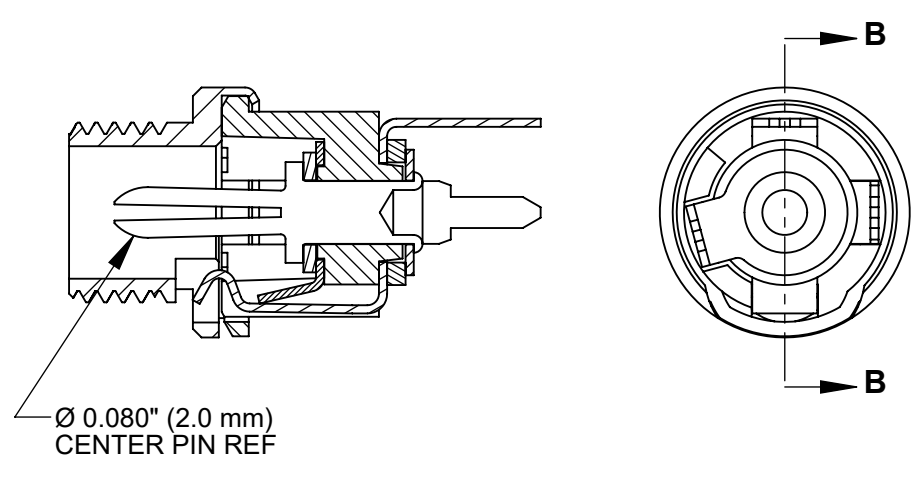
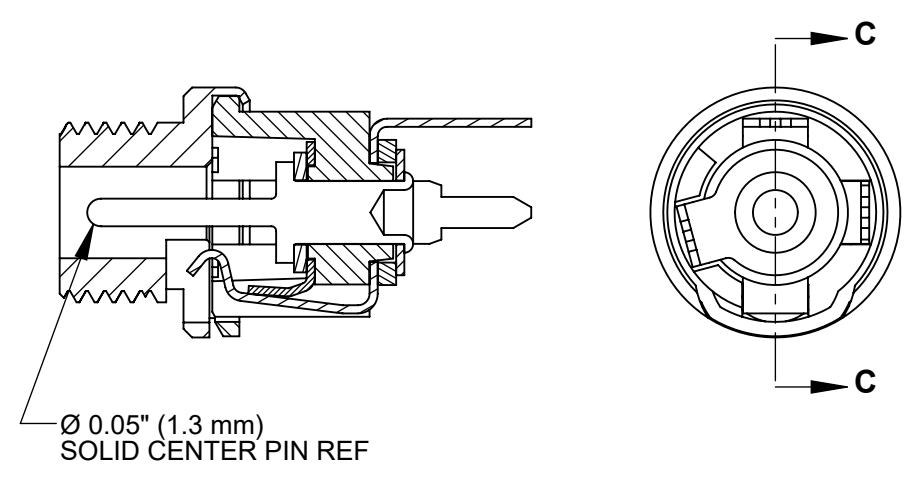


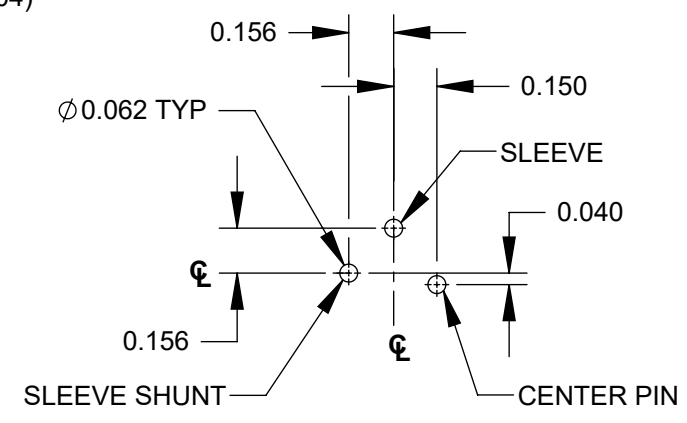
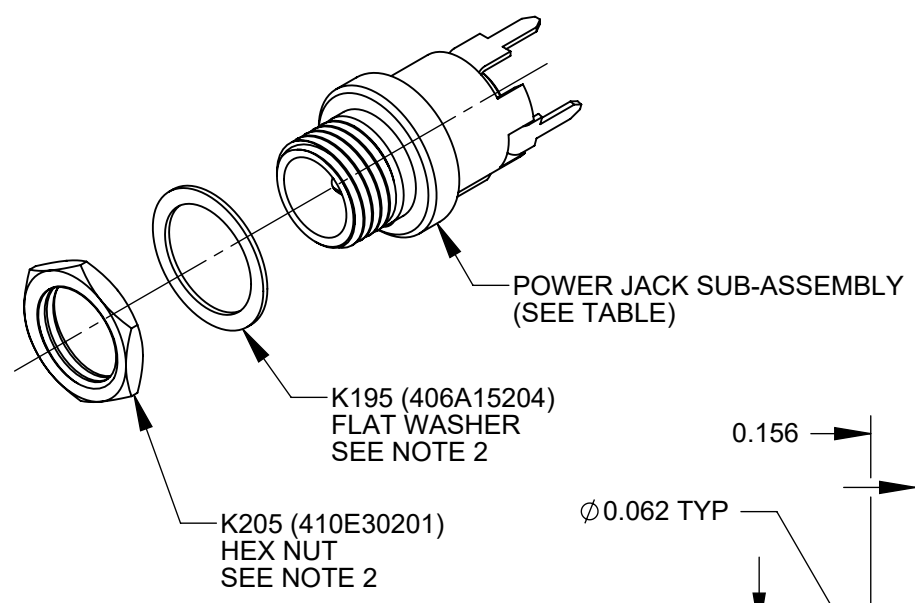
PC712AH



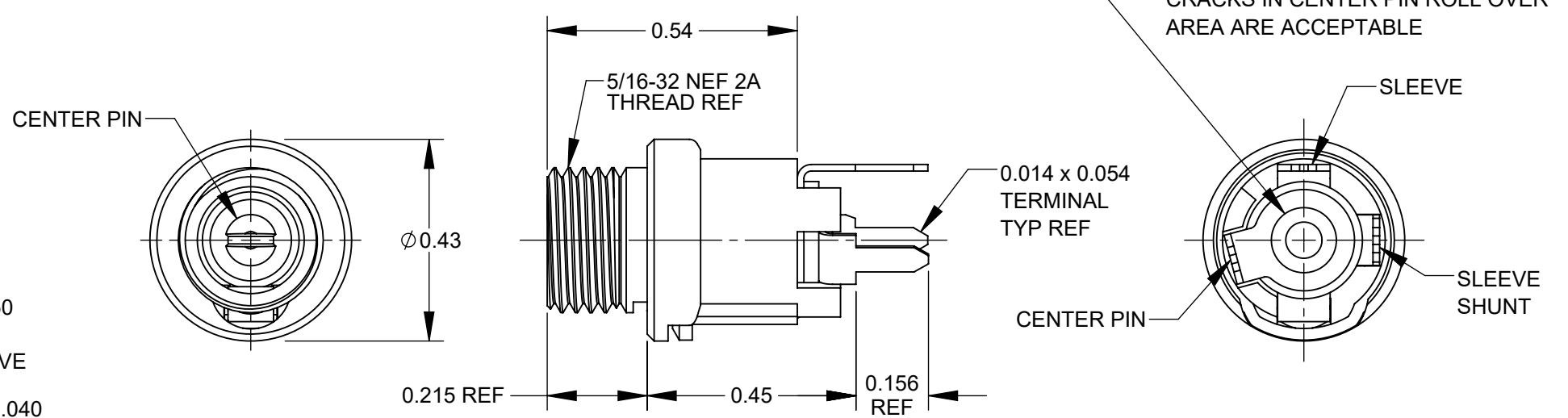
PC722AH



PC732AH



GAGE LAYOUT
(PCB COMPONENT SIDE)



PART NUMBER	PART REV	POWER JACK SUB-ASSEMBLY	JACK SIZE REF
PC712AH	B	730D679	0.10" (2.5 mm)
PC722AH	B	730D680	0.080" (2.0 mm)
PC732AH	B	730D681	0.05" (1.3 mm)

NOTES:

1. SELECT POWER JACK SUB-ASSEMBLY PER TABLE.
2. HEX NUT AND FLAT WASHER SUPPLIED UNASSEMBLED
3. PACK 100 PCS /CARTON
4. THESE PRODUCTS ARE RoHS COMPLIANT

REV	ECO NUMBER	DATE	BY	APVD
B	28397	06/11/21	PC	TJK
A	27941	09/06/17	PC	TJK
REVISIONS				

★ STAR SYMBOL DENOTES CRITICAL DIMENSION

UNLESS OTHERWISE SPECIFIED

1. ALL DIMENSIONS IN INCHES
- TWO PLACE DECIMALS ±0.01
- THREE PLACE DECIMALS ±0.005
- ANGLES ±1°
- ALL DIA. CONCENTRIC WITHIN 0.005 T.I.R.
2. FEATURES ON THE SAME CENTERLINE MUST BE ALIGNED WITHIN ±0.002
3. REMOVE ALL BURRS

DO NOT SCALE DRAWING

THIS DRAWING DESCRIBES A DESIGN CONSIDERED PROPRIETARY IN NATURE, DEVELOPED AND MANUFACTURED BY SWITCHCRAFT INC. AND IS RELEASED ON A CONFIDENTIAL BASIS FOR IDENTIFICATION PURPOSES ONLY.				
SIZE	WIDTH	MULT	LBS/M	TEMPER
FINISH SPEC No.		MATERIAL SPEC No.		
FIRST USED ON		SCALE 3:1		
DATE DRAWN	BY	CHKD	APVD	Switchcraft [®]
6/23/16	PNK	PNK 6/23/16	SRC 6/23/16	
NAME HT POWER JACKS PC7_ 2AH SERIES, RoHS				PART No. PC712AH PC722AH PC732AH
SHEET 1 OF 1				REV B

