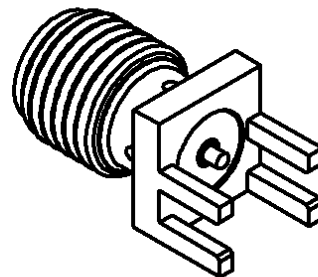
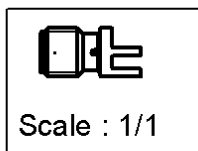
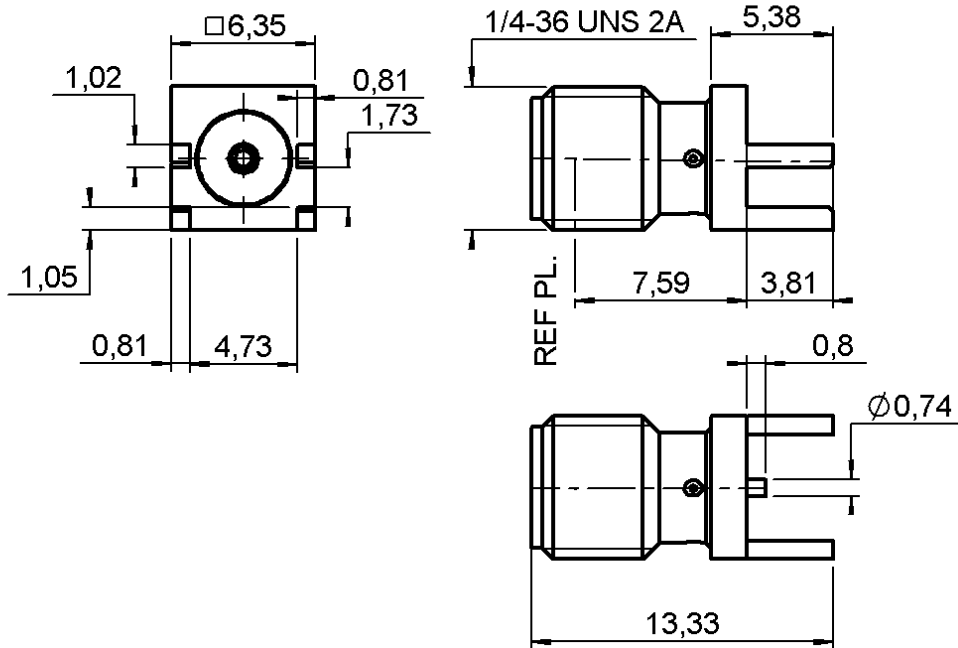


STRAIGHT JACK RECEPTACLE FOR PCB

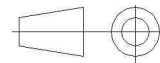
R124.423.223

SMT TYPE - EDGE CARD.

Series : SMA-COM



All dimensions are in mm.



COMPONENTS	MATERIALS	PLATING (µm)
BODY	BRASS	GOLD 0.5 OVER NICKEL 2
CENTER CONTACT	BERYLLIUM COPPER	GOLD 1.3 OVER NICKEL2
OUTER CONTACT	-	-
INSULATOR	PTFE	-
GASKET	-	-
OTHERS PARTS	-	-
-	-	-
-	-	-

Issue : 1149 A

In the effort to improve our products, we reserve the right to make changes judged to be necessary.



STRAIGHT JACK RECEPTACLE FOR PCB

R124.423.223

SMT TYPE - EDGE CARD.

Series : SMA-COM

PACKAGING

SPECIFICATION

Standard	Unit	Other
100	'W' option	Contact us

ELECTRICAL CHARACTERISTICS

ENVIRONMENTAL

Impedance	50	Ω
Frequency	0-18	GHz
VSWR	1.14 + 0,0000	x F(GHz) Maxi
Insertion loss	0.05	\sqrt{F} (GHz) dB Maxi
RF leakage	- (100)	- F(GHz)) dB Maxi
Voltage rating	500	Veff Maxi
Dielectric withstanding voltage	1000	Veff mini
Insulation resistance	5000	M Ω mini

Operating temperature	-65/+165	$^{\circ}$ C
Hermetic seal	NA	Atm.cm3/s
Panel leakage	NA	

OTHER CHARACTERISTICS

Assembly instruction **NA**

Others :
-

MECHANICAL CHARACTERISTICS

Center contact retention		
Axial force – Mating end	27	N mini
Axial force – Opposite end	27	N mini
Torque	2.8	N.cm mini
Recommended torque		
Mating	NA-	N.cm
Panel nut	NA	N.cm
Mating life	100	Cycles mini
Weight	1,5620	g

Issue : 1149 A

In the effort to improve our products, we reserve the right to make changes judged to be necessary.



STRAIGHT JACK RECEPTACLE FOR PCB

R124.423.223

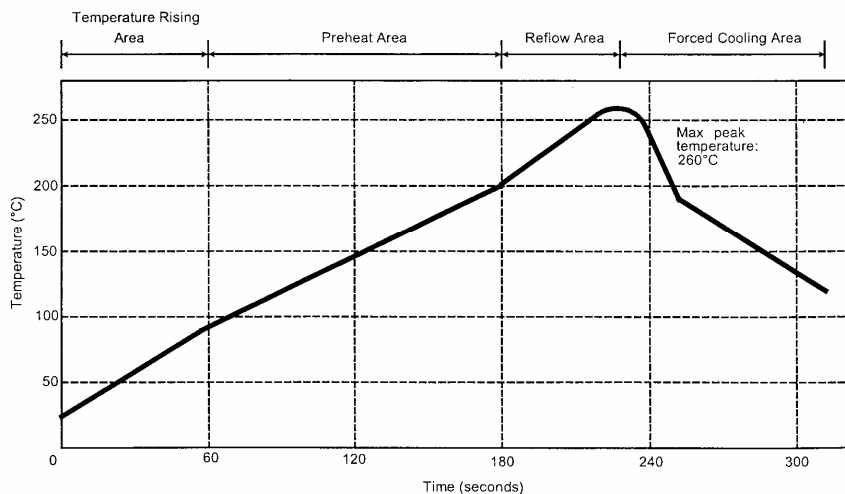
SMT TYPE - EDGE CARD.

Series : SMA-COM

SOLDER PROCEDURE

1. Deposition of solder paste 'Sn Ag4 Cu0.5' on mounting zone by screen printing application. We recommend a low residue flux.
We advise a thickness of 150 microns (5.850 microinch). Verify that the edges of the zone are clean.
2. Placement of the receptacle on the mounting zone with an automatic machine of 'pick and place' type.
Video camera is recommended for the positioning of the component. Adhesive agents must not be used on the receptacle.
3. Soldering by infra-red reflow.
Below, please find the typical profile to use.
4. Cleaning of printed circuit boards.
5. Checking of solder joints and position of the component by visual inspection.

TEMPERATURE PROFIL



Parameter	Value	Unit
Temperature rising Area	1 - 4	°C/sec
Max Peak Temperature	260	°C
Max dwell time @260°C	10	sec
Min dwell time @235°C	20	sec
Max dwell time @235°C	60	sec
Temperature drop in cooling Area	-1 to - 4	°C/sec
Max dwell time above 100°C	420	sec

Issue : 1149 A

In the effort to improve our products, we reserve the right to make changes judged to be necessary.

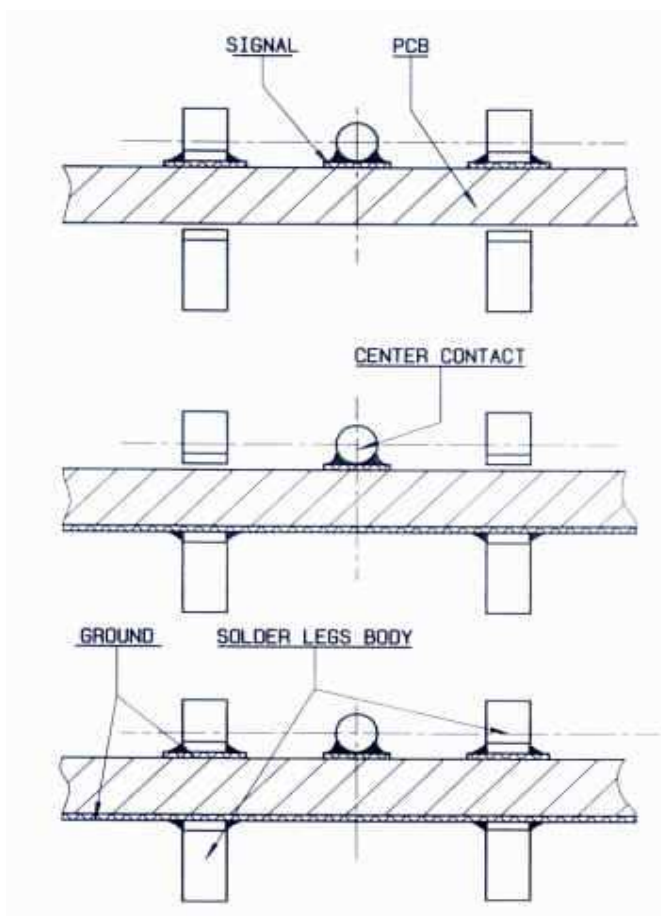


STRAIGHT JACK RECEPTACLE FOR PCB**SMT TYPE - EDGE CARD.****R124.423.223**

Series : SMA-COM

MOUNTING TYPE

This type of connector is adapted to one specific PCB thickness .
It can be used with different ways of transmission .



1- COPLANAR LINE
Signal and ground are coplanar .

2 – MICROSTRIP LINE
Signal and ground are opposite .

3 – Coplanar and opposite
grounds .

Solution 3 features a stronger mechanical retention on the PCB because the 4 leads are soldered

Issue : 1149 A

In the effort to improve our products, we reserve the right to make changes judged to be necessary.



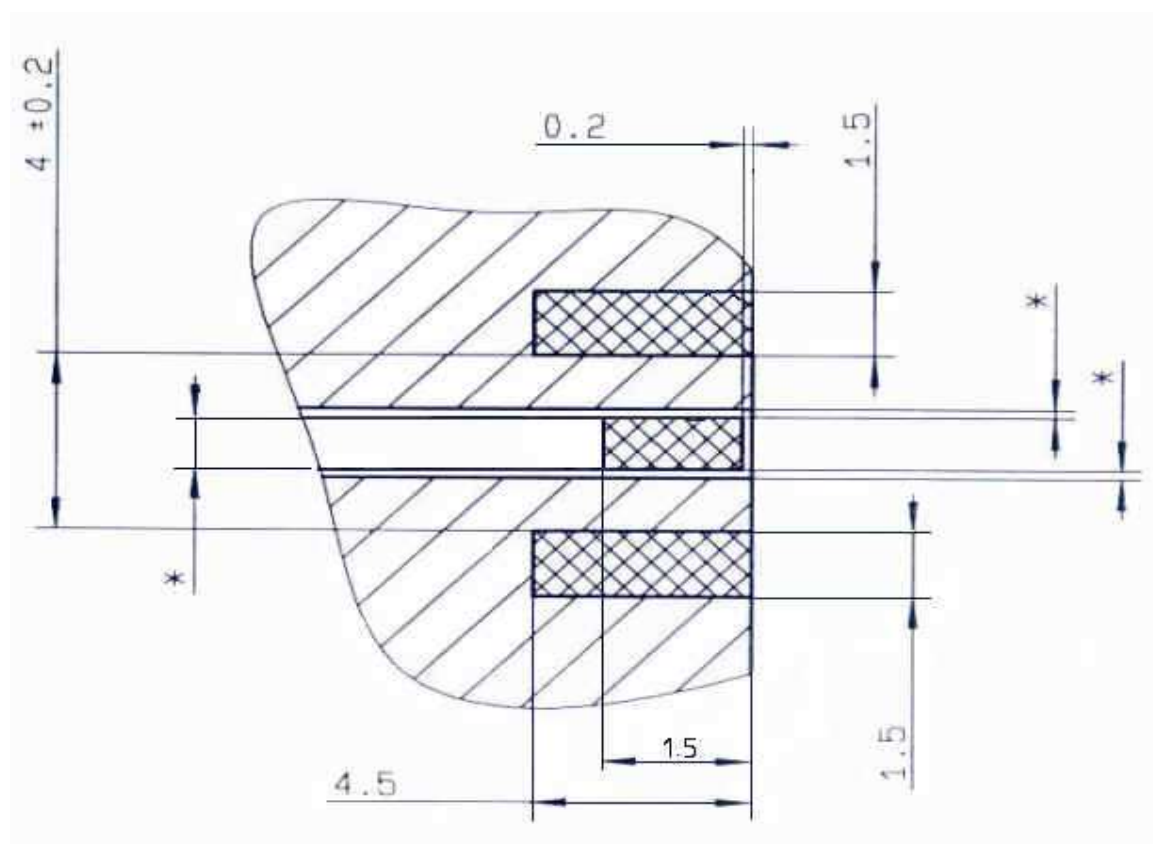
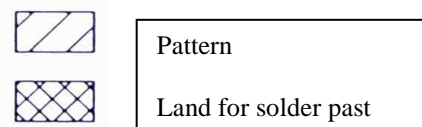
STRAIGHT JACK RECEPTACLE FOR PCB

R124.423.223

SMT TYPE - EDGE CARD.

Series : SMA-COM

DIMENSIONS



* Parameters flaged by a star must be defined dimensionally regarding the thickness of the PCB and the transmission way these parameters could be measured by RADIALL if requested .

COPLANAR LINE

Pattern and signal are on the same side The material of PCB is the epoxy resin of glass fabrics bacs . (ER = 4.8)The solder resist should be printed except for the land pattern on the PCB

Issue : 1149 A

In the effort to improve our products, we reserve the right to make changes judged to be necessary.

