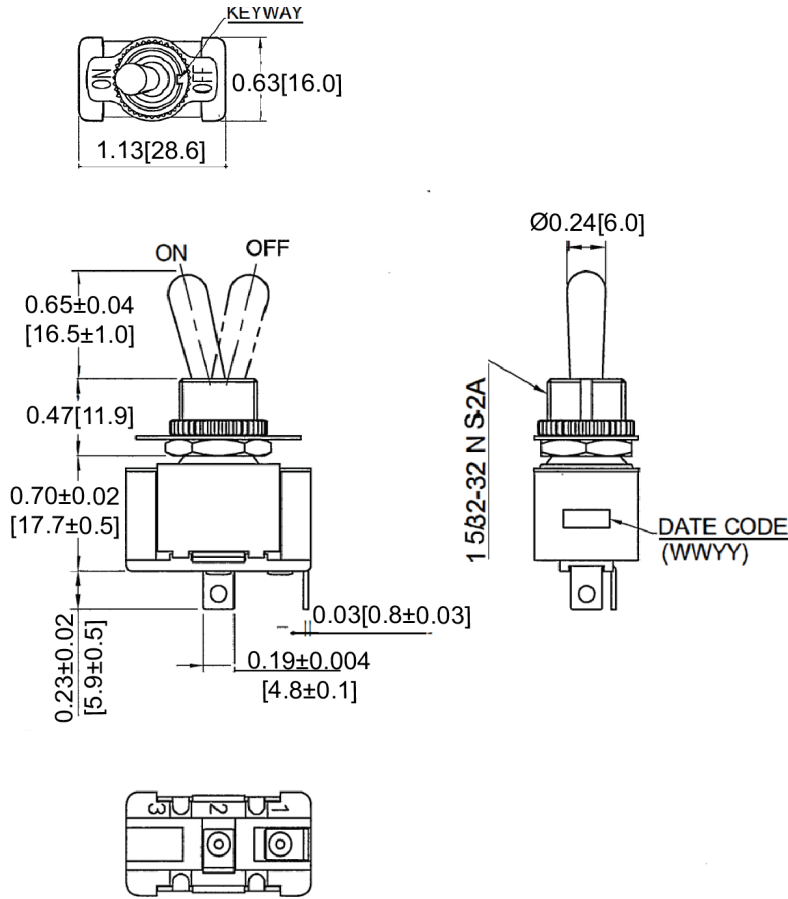
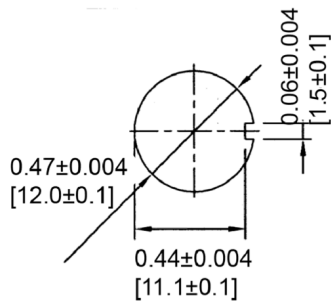


Mechanical Dimensions: Inches [mm]

Tolerances ± 0.012 [0.3] Unless Otherwise Specified



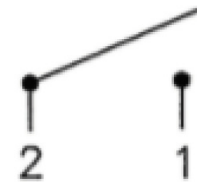
Mounting Hole



Thickness: 0.2 [6.0]

Circuit Diagram

2P SPST OFF-ON



Electrical Specifications

Rating 12(4)A 125/250V AC: 20A 125V AC, 10A 277V AC, 3/4HP 125-250V AC
16(4)A 125/250V AC:

Contact Resistance 50m ohm Max

Insulation Resistance DC 500V 100M ohm Min

Dielectric Strength AC 1500V 1 minute

Operation Temperature -20°C~85°C

Material Specifications

Operation Force 700gf \pm 250 gf

1 Hex Nut Assy

1 Knurl Nut Assy

1 ON/OFF Face Plate

Rev Date of issue Revision Notes

Designed Approved

B	05-17-2021	Initial Drawing	RC	OF
---	------------	-----------------	----	----