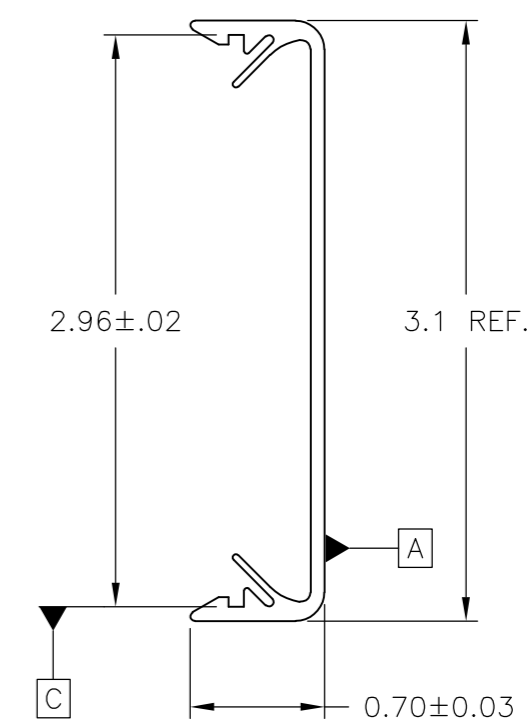
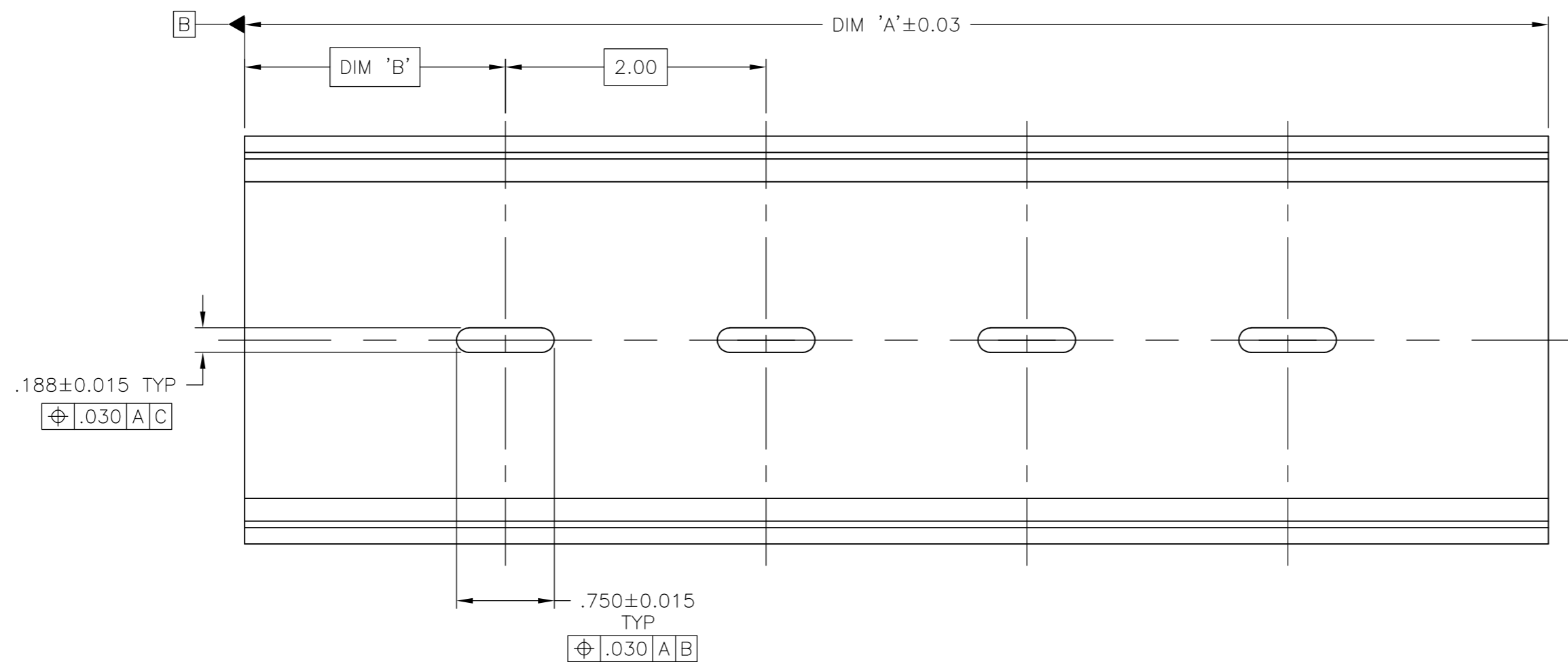


THIS DRAWING IS UNPUBLISHED. RELEASED FOR PUBLICATION
 © COPYRIGHT - By - ALL RIGHTS RESERVED.

REVISIONS				
P	LTR	DESCRIPTION	DATE	APVD
A2		REVISED PER ECR-15-005612	28JUL2015	NG PS

1. MATERIAL: RIGID PVC, COLOR: GRAY.
2. RECOMMENDED PC BOARD WIDTH 3.00".



1.0	4.0	TK2-4S	YES	7-1437685-7
2.0	48.0	TK2-48-AG	YES	7-1437685-6
DIM B	DIM A	DESCRIPTION	RETENTION FINGER	PART NO

THIS DRAWING IS A CONTROLLED DOCUMENT.		DWN	S SCHLEGEL	06APR2009	TE TE Connectivity																	
DIMENSIONS: INCHES		CHK	C RICHARD	4/6/09																		
TOLERANCES UNLESS OTHERWISE SPECIFIED:		APVD	C RICHARD	4/6/09																		
<table border="0"> <tr><td>0 PLC</td><td>±</td><td>-</td></tr> <tr><td>1 PLC</td><td>±</td><td>-</td></tr> <tr><td>2 PLC</td><td>±</td><td>.015</td></tr> <tr><td>3 PLC</td><td>±</td><td>.005</td></tr> <tr><td>4 PLC</td><td>±</td><td>-</td></tr> <tr><td>ANGLES</td><td>±</td><td>1°</td></tr> </table>		0 PLC	±	-		1 PLC	±	-	2 PLC	±	.015	3 PLC	±	.005	4 PLC	±	-	ANGLES	±	1°	PRODUCT SPEC	NAME
0 PLC	±	-																				
1 PLC	±	-																				
2 PLC	±	.015																				
3 PLC	±	.005																				
4 PLC	±	-																				
ANGLES	±	1°																				
MATERIAL		APPLICATION SPEC	TK2-AG SNAPTRACK		RESTRICTED TO																	
FINISH		WEIGHT	SIZE	CAGE CODE	DRAWING NO																	
-		-	A2	00779	C=7-1437685-6																	
CUSTOMER DRAWING			SCALE	SHEET	REV																	
			NTS	1 of 1	A2																	