

Product Discontinuation Notification

Panasonic Batteries

Panasonic Industrial Devices Sales
Company of America
A Division of Panasonic
Corporation of North America
1701 Golf Road Suite 3-1100
Rolling Meadows, IL 60008

Toll Free: 877-726-2228

e-mail: oembatteries@us.panasonic.com

Internet: <https://na.industrial.panasonic.com/products/batteries>

Nature of Change:
Discontinuation

Affected Model:
CR-1612/BN, VL-2320/F2N, VL-2320/HFN,
VL-2320/VCN

Date of Notice:
July 28th, 2020

Attention: Valued customers:

Panasonic Energy Corporation has decided to discontinue the CR-1612/BN, VL-2320/F2N, VL-2320/HFN, VL-2320/VCN cells due to low sales.

This will enable Panasonic to concentrate production on more popular cells.

EOL Timeline

December 18th, 2020 – Final purchase orders must be received

March 31st, 2021 – Last order shipments from Jakarta, Indonesia

Recommend replacement of the VL2320 series is the VL2330 series.

Discontinued Model	Suggested Replacement
VL-2320/F2N	VL-2330/F3N
VL-2320/HFN	VL-2330/HFN
VL-2320/VCN	VL-2330/VCN

The drawings of these batteries are attached to this product notice.

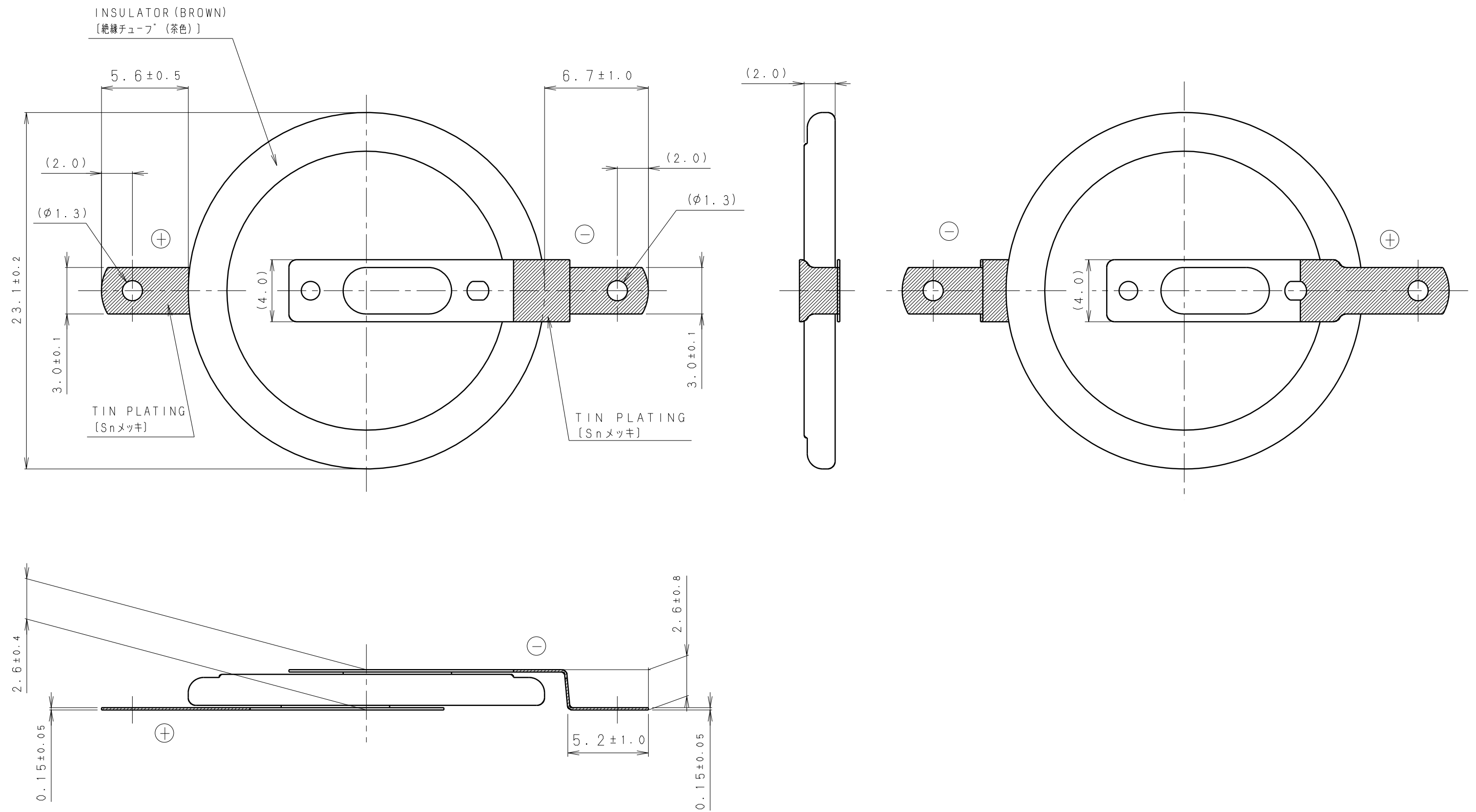


Christopher Holt
Product Manager
Panasonic Industrial Devices Sales
Company of America

Thank you for your understanding regarding this product notice. If you have any questions, please contact your account manager or send an inquiry to oembatteries@us.panasonic.com.

Sincerely,

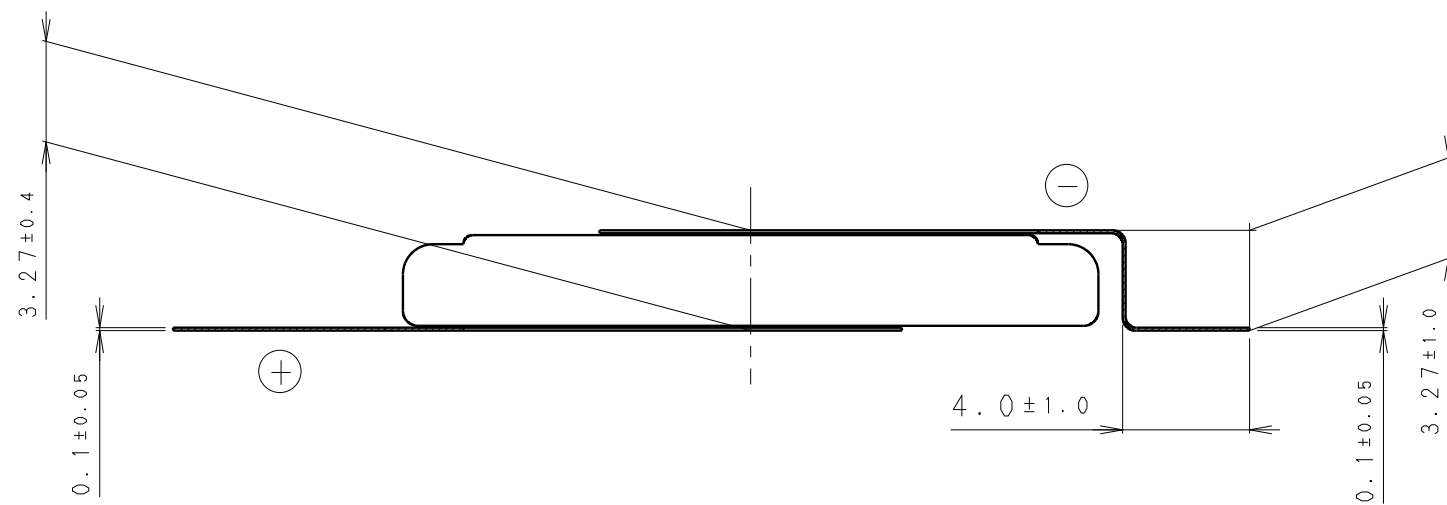
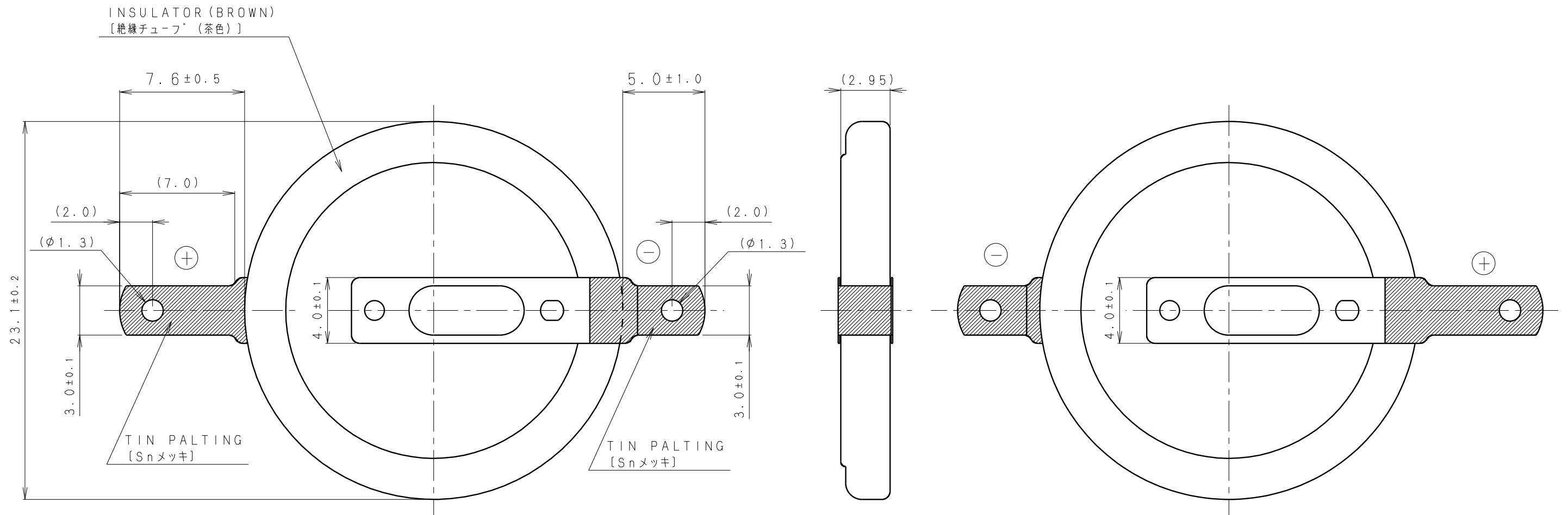
Christopher Holt
Product Manager
Panasonic Industrial Devices Sales Company of America
Energy Sales Group
Christopher.Holt@us.panasonic.com
(847) 637-4612



* NOTE [注記]

1. TAB PULLING STRENGTH OVER 14.7N [端子溶接強度: 14.7N以上]
2. TAB MATERIAL: STAINLESS STEEL WITH TIN PLATING [端子材料: 基材 ステンレス/表面 部分Snメッキ]
3. (): REFERENCE DIMENSION AND ANGLE [() 寸法、角度は参考値]

PRODUCT NO.	VL-2320/F2N	SCALE	4:1
DRAWING NO.	QEFA6Z	REV.	0
			UNIT: mm

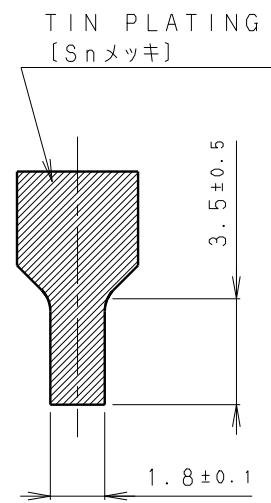
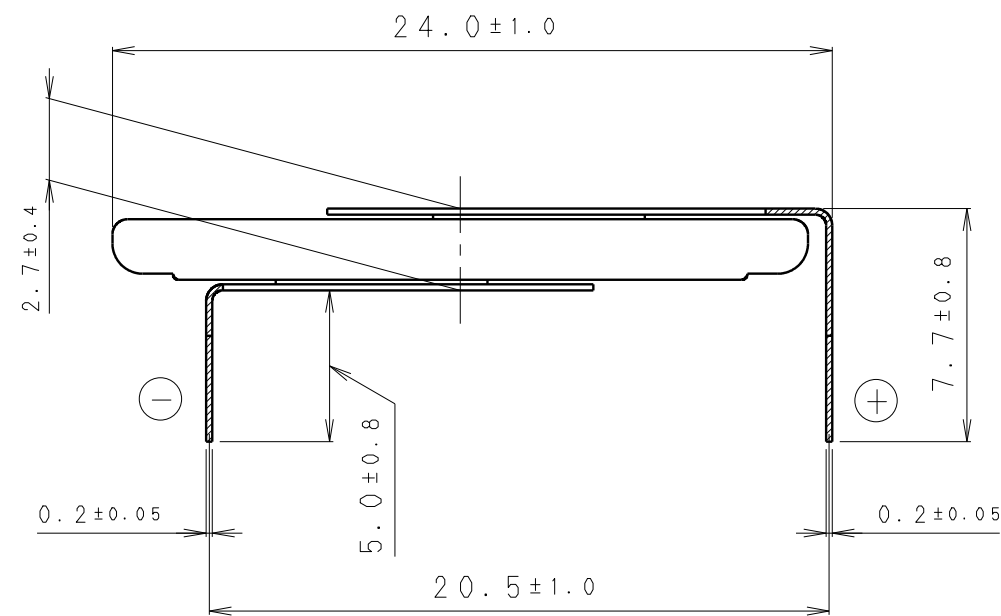
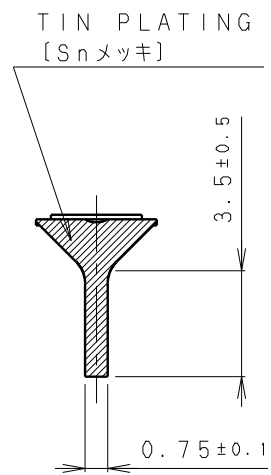
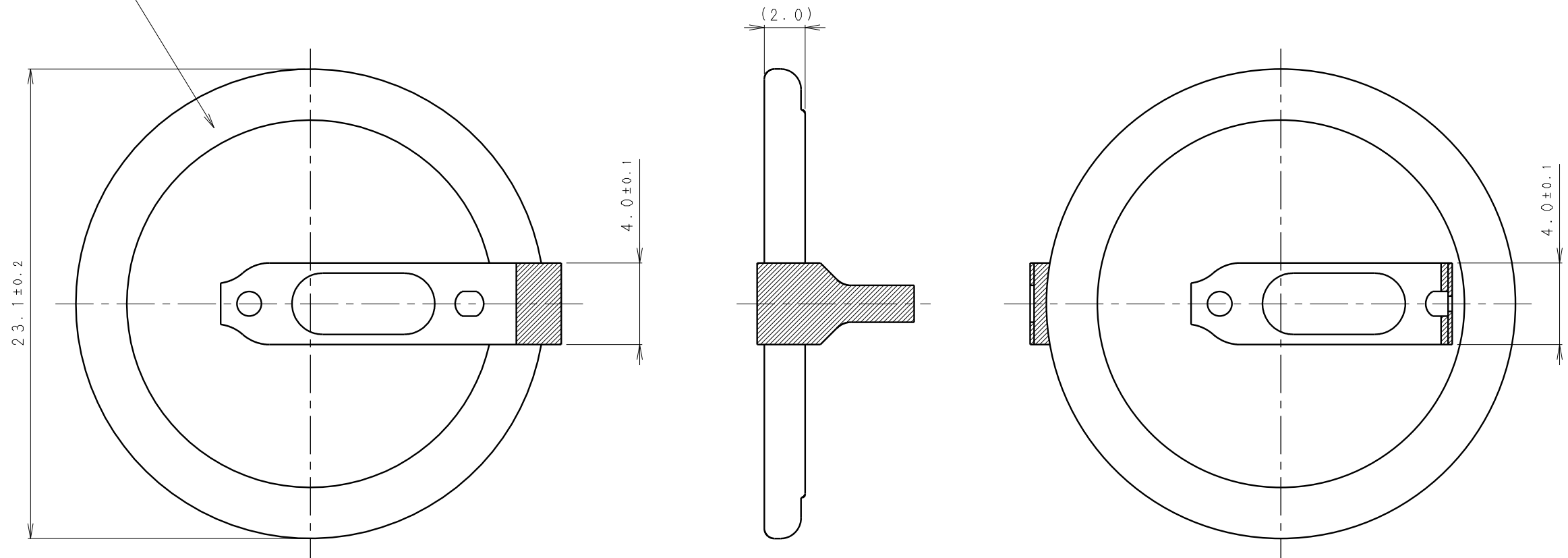


* NOTE [注記]

- TAB PULLING STRENGTH OVER 9.8N [端子溶接強度: 9.8N以上]
- TAB MATERIAL: STAINLESS STEEL WITH TIN PLATING [端子材料: 基材 ステンレス/表面 部分Snメッキ]
- (): REFERENCE DIMENSION AND ANGLE [() 寸法、角度は参考値]

PRODUCT NO.	VL-2330/F3N	SCALE	4:1
DRAWING NO.	QKFA6Z	REV.	0
			UNIT:mm

INSULATOR (BROWN)
[絶縁チューブ (茶色)]

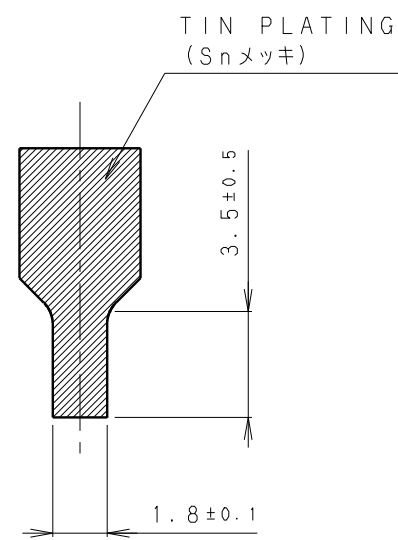
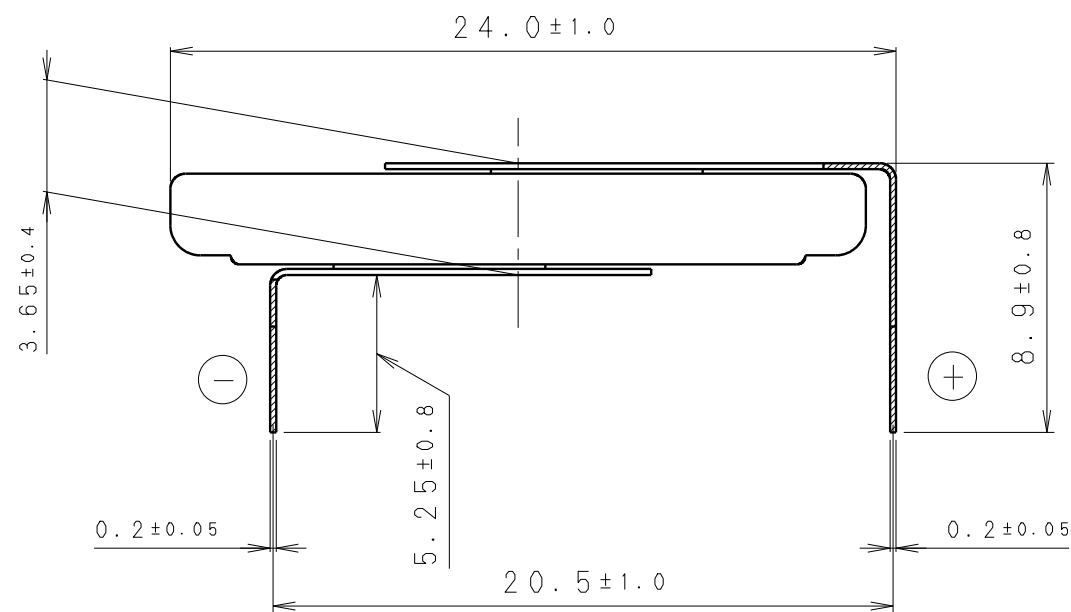
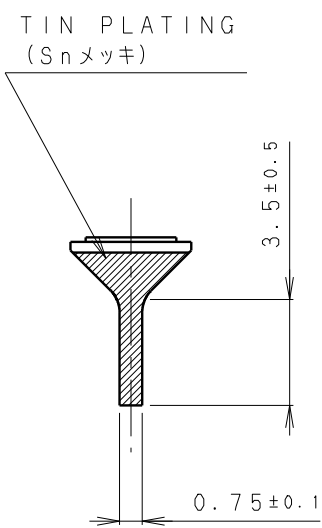
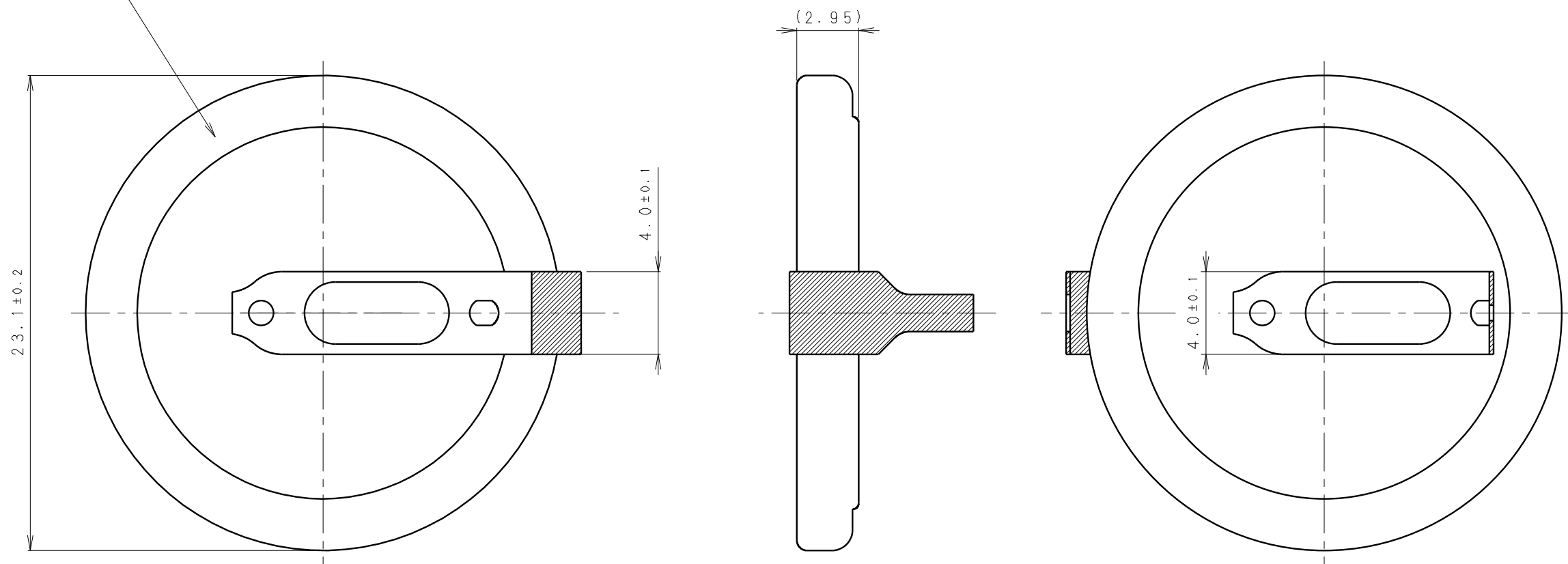


* NOTE [注記]

- TAB PULLING STRENGTH OVER 19.6N [端子溶接強度: 19.6N以上]
- TAB MATERIAL: STAINLESS STEEL WITH TIN PLATING [端子材料: 基材 ステンレス/表面 部分Snメッキ]
- (): REFERENCE DIMENSION AND ANGLE [() 寸法、角度は参考値]

PRODUCT NO.	VL-2320/HFN	SCALE	4:1
DRAWING NO.	QEHA1Z	REV.	0
			UNIT:mm

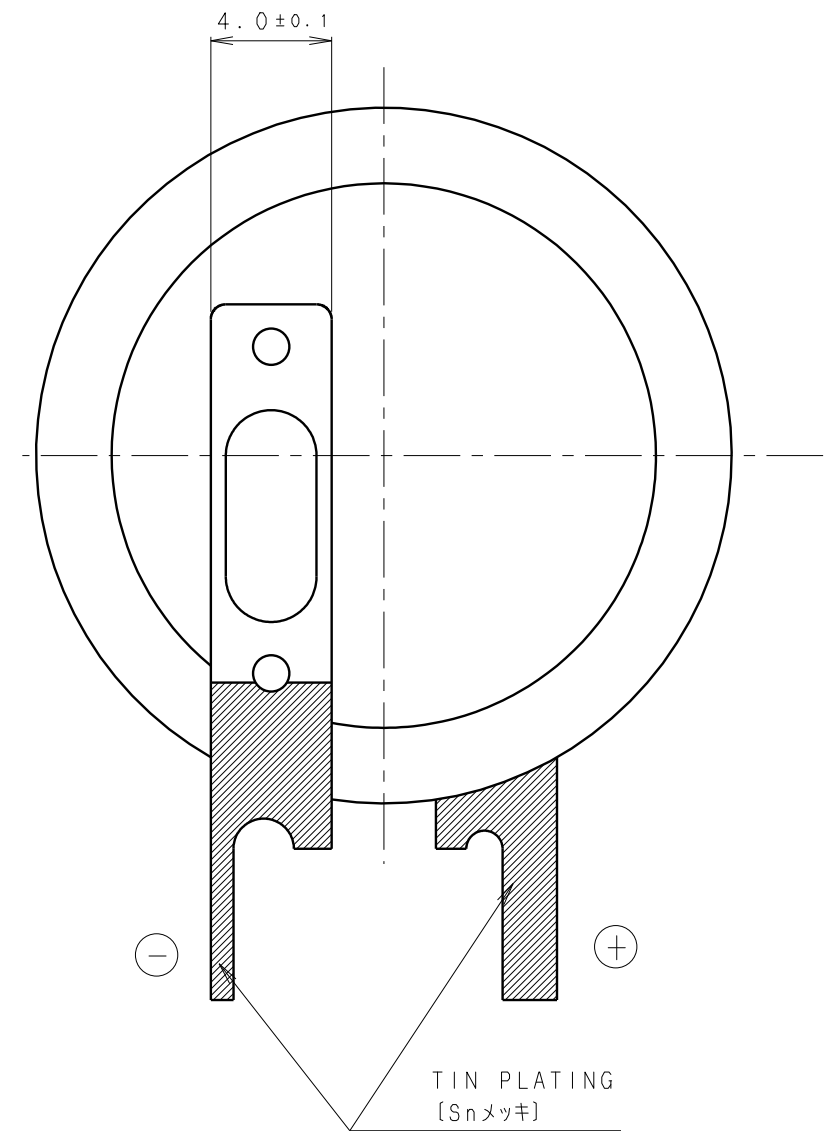
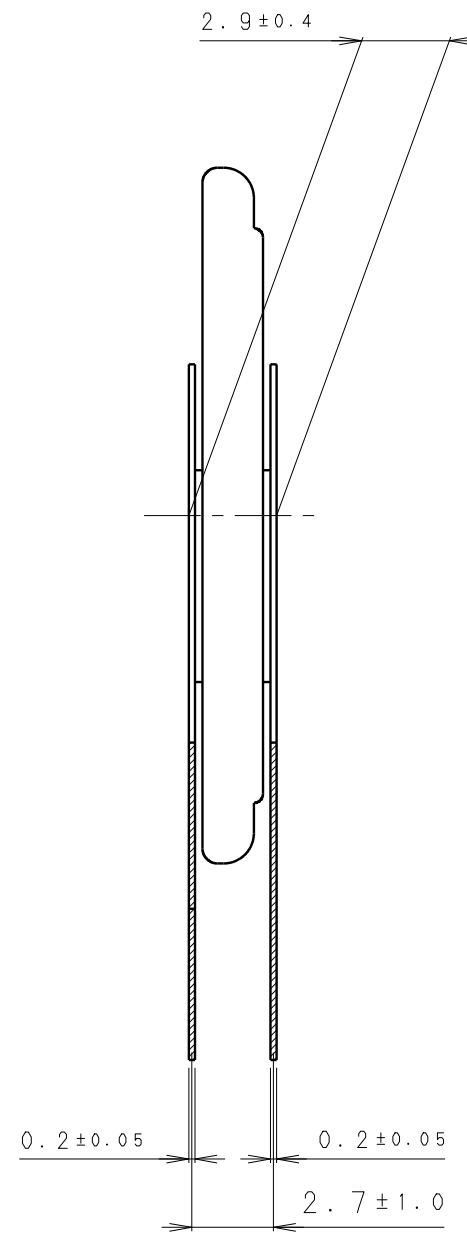
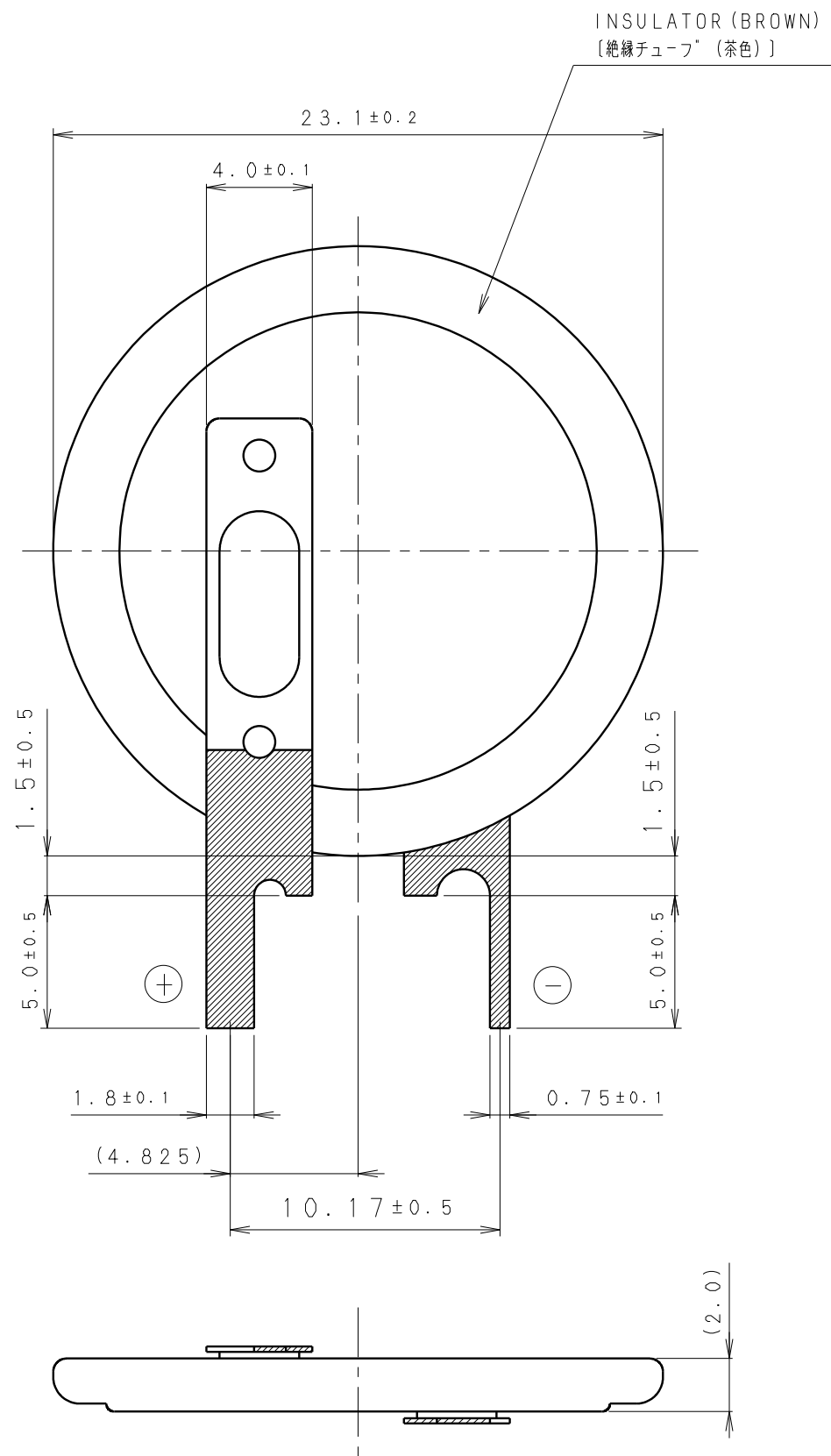
INSULATOR (BROWN)
 [絶縁チューブ (茶色)]



* NOTE [注記]

1. TAB PULLING STRENGTH OVER 19.6N [端子溶接強度: 19.6N以上]
2. TAB MATERIAL: STAINLESS STEEL WITH TIN PLATING
 [端子材料: 基材 ステンレス/表面 部分Snメッキ]
3. (): REFERENCE DIMENSION AND ANGLE [() 寸法、角度は参考値]

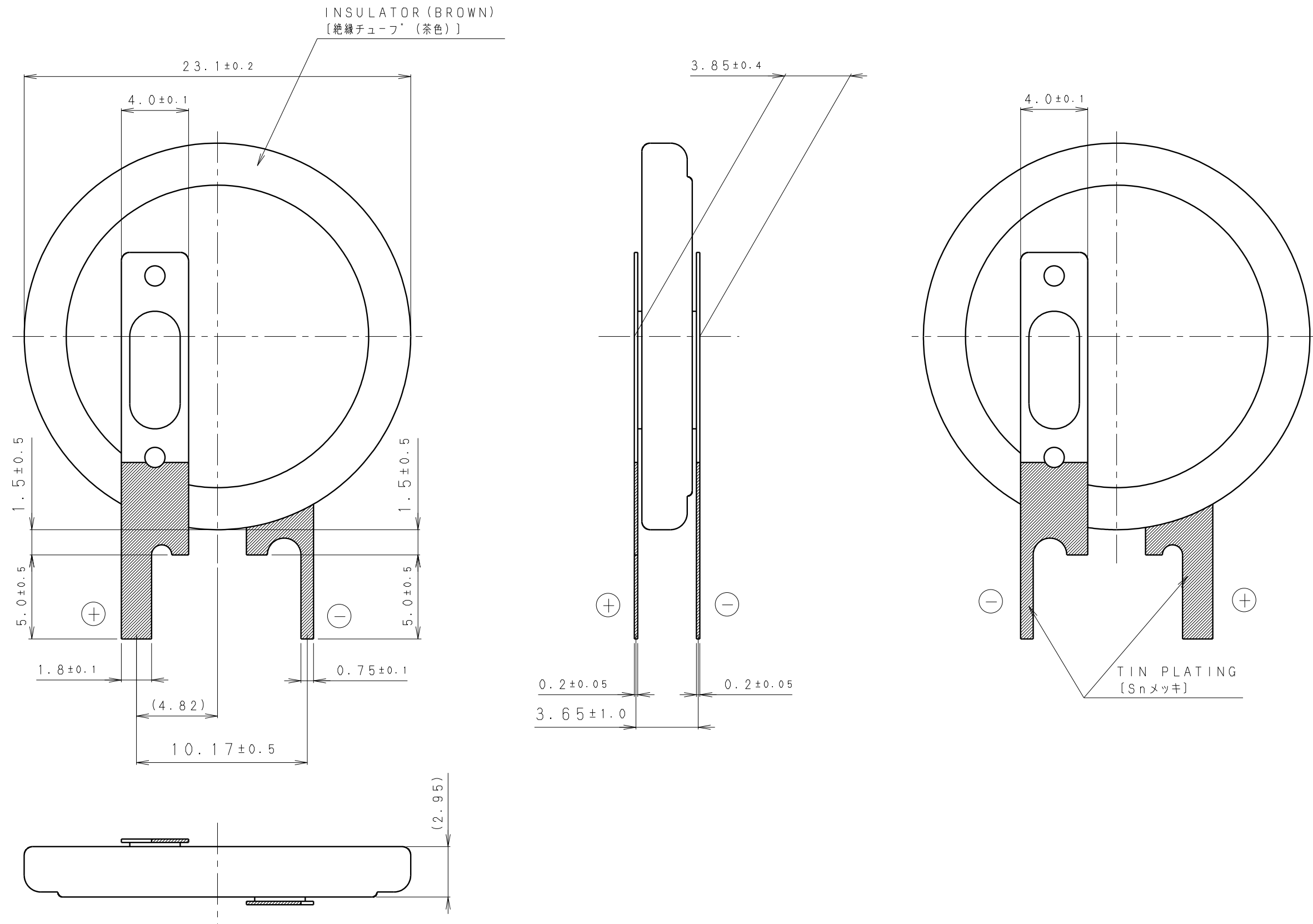
PRODUCT NO.	VL-2330/HFN	SCALE	4:1
		DRAWING NO.	QKHC1Z
		REV.	0
		UNIT: mm	



* NOTE [注記]

1. TAB PULLING STRENGTH OVER 19.6N [端子溶接強度: 19.6N以上]
2. TAB MATERIAL: STAINLESS STEEL WITH TIN PLATING [端子材料: 基材 ステンレス/表面 部分Snメッキ]
3. (): REFERENCE DIMENSION AND ANGLE [() 寸法、角度は参考値]

PRODUCT NO.	VL-2320/VCN	SCALE	4:1
DRAWING NO.	QEVA1Z	REV.	0
			UNIT: mm



* NOTE [注記]

1. TAB PULLING STRENGTH OVER 19.6N [端子溶接強度: 19.6N以上]
2. TAB MATERIAL: STAINLESS STEEL WITH TIN PLATING [端子材料: 基材 ステンレス/表面 部分Snメッキ]
3. (): REFERENCE DIMENSION AND ANGLE [() 寸法、角度は参考値]

PRODUCT NO.	VL-2330/VCN	SCALE	
		4:1	
DRAWING NO.	QKVB1Z	REV.	UNIT:mm
		0	