



TOROIDAL CHOKE

VTCB2213-361

- Solid base for stable mounting
- Fixed pins for easy PCB insertion
- Operating Temperature Range: -40°C to +125°C

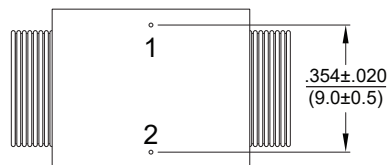
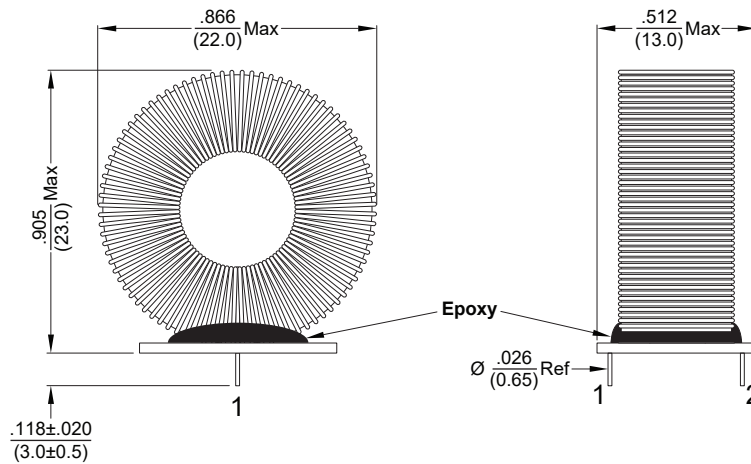


Electrical Specifications @25°C				
Inductance @ 40KHz, 1.0V 0A DC	Inductance @ 40KHz, 1.0V 2.5A DC	DC Resistance (mΩ) Max	Rated Current (A)	Hi Pot Wdg - Core 50Hz / 5mA / 1S
360μH ±15%	180μH Typ	130	2.5	1200Vac

All specifications subject to change without notice.

MECHANICAL

Dimensions:  $\frac{\text{inch}}{\text{(mm)}}$



SCHEMATICS

