

NOTES:

1. MATERIALS AND FINISHES:

- COUPLING NUT - BRASS, NICKEL PLATING
- WASHER - BRASS, NICKEL PLATING
- SLEEVE - BRASS, NICKEL PLATING
- FERRULE - BRASS, NICKEL PLATING
- RING - BRASS, NICKEL PLATING
- GASKET - SILICONE RUBBER, RED
- BODY - BRASS, NICKEL PLATING
- CONTACT - BRASS, GOLD PLATING
- INSULATOR - DELRIN, NATURAL

2. ELECTRICAL:

- A. IMPEDANCE: 75 OHM
- B. FREQUENCY RANGE: DC - 3 GHz
- C. DIELECTRIC WITHSTANDING VOLTAGE: 900 VRMS, MIN.

3. MECHANICAL:

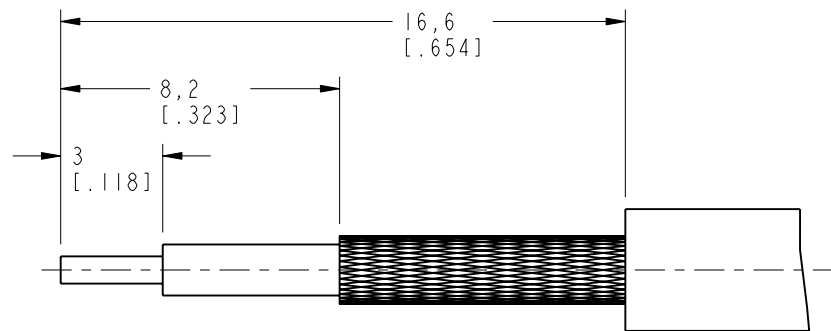
- A. DURABILITY: 500 CYCLES MIN.
- B. TEMPERATURE RANGE: -40°C TO +85°C

4. USE AMPHENOL RF CRIMP TOOL #CTL-2

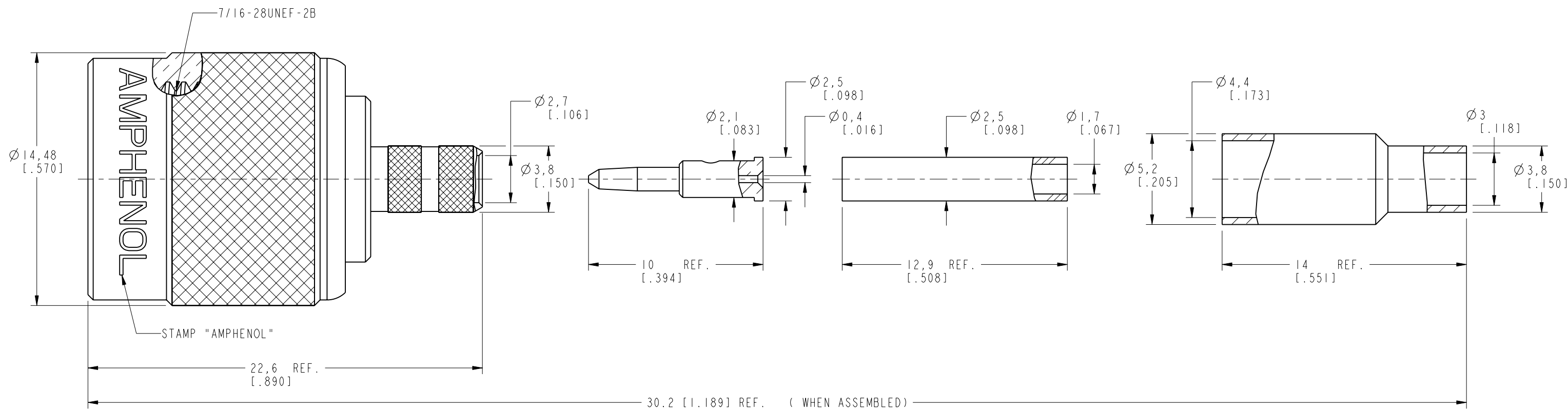
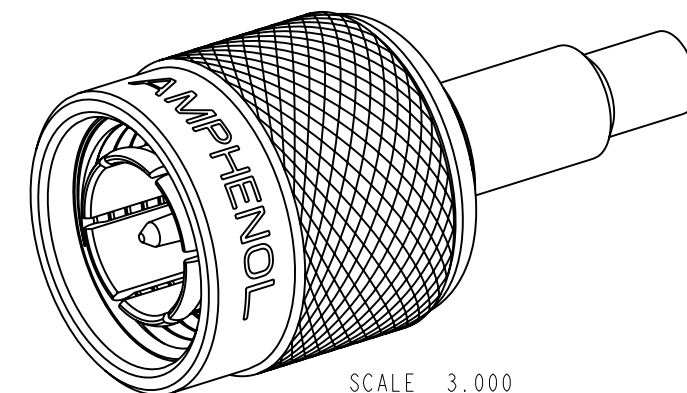
THIRD ANGLE PROJ.

REVISIONS

REV	DESCRIPTION	DATE	ECN	APPR
A	OFFICIAL ENG. RELEASE TO MFG.	10/2/91	38063	DR
B	SYNC, REDRAWN IN THE CRO/E	28-Jun-19	12041	SH



RECOMMENDED CABLE STRIPPING DIM'S



CUSTOMER OUTLINE DRAWING
ALL OTHER SHEETS ARE FOR INTERNAL USE ONLY

UNLESS OTHERWISE SPECIFIED, DIMENSIONS ARE IN METRIC AND TOLERANCES ARE:
 <0.5mm ±0.05mm 0.5 - 6mm ±0.1mm 6 - 30mm ±0.2mm 30 - 120mm ±0.3mm ANGLES ±1°

NOTICE - These drawings, specifications, or other data (1) are, and remain the property of Amphenol corp. (2) must be returned upon request; and (3) are confidential and not to be disclosed to any person other than those to whom they are given by Amphenol Corp. the furnishing of these drawings, specifications, or other data by Amphenol Corp., or to any other person to anyone for any purpose is not to be regarded by implication or otherwise in any manner licensing, granting rights to permitting such holder or any other person to manufacture, use or sell any product, process or design, patented or otherwise, that may in any way be related to or disclosed by said drawings, specifications, or other data.

MATERIAL	SEE NOTES
REFERENCE	
EAR#	
REF:	
CONFIGURATION LEVEL:	In Work
FINISH	

DRAWN	M. ZHANG	DATE	28-Jun-19
ENGINEER	H. FRRDLUWD	DATE	13-Sep-91
APPROVED	S. HSIEH	DATE	28-Jun-19
CAD FILE			

TITLE	75 OHM TNC CRIMP PLUG (FOR RG-179/U, 187A/U CABLE)	
SCALE:	4.5:1.0	SHEET 2 OF 2
DWG SIZE	B	REV B

Amphenol RF	
www.amphenolrf.com	
DRAWING NO.	T1121E1-ND3G-179U-75
ITEM NO.	021121AAG19ND7F
PART NO.	31-2242-RFX