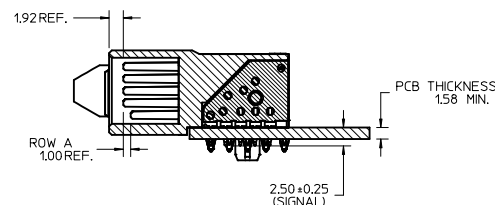
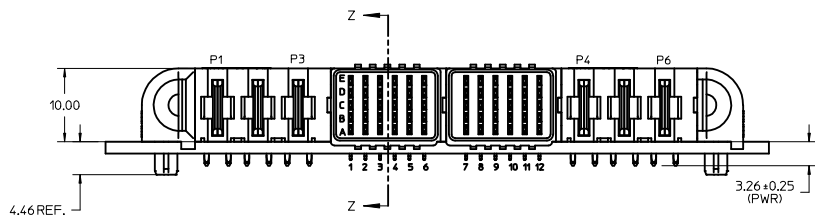
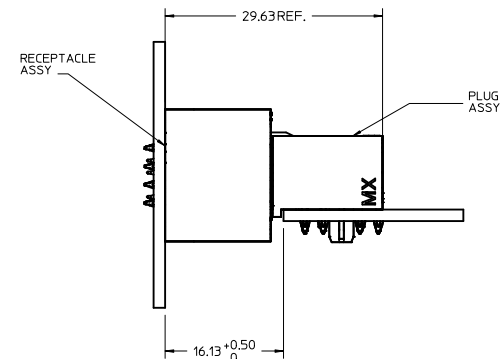


RECOMMENDED PCB LAYOUT AND KEEP-OUT ZONE

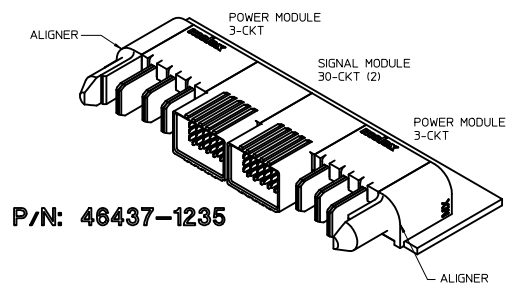


SECTION Z-Z



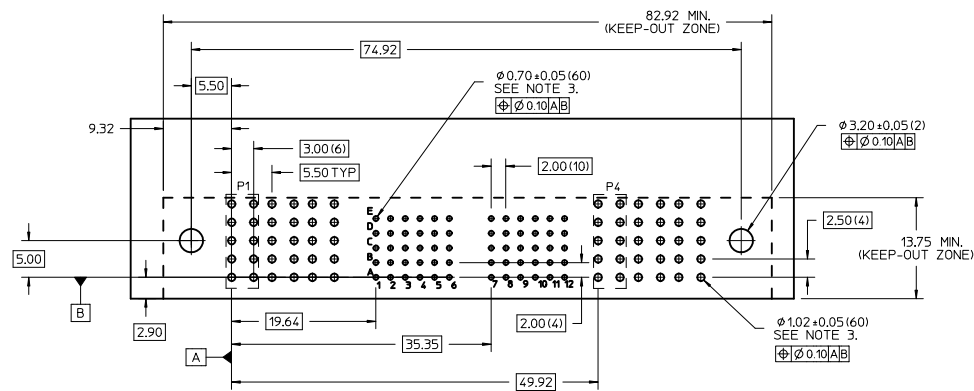
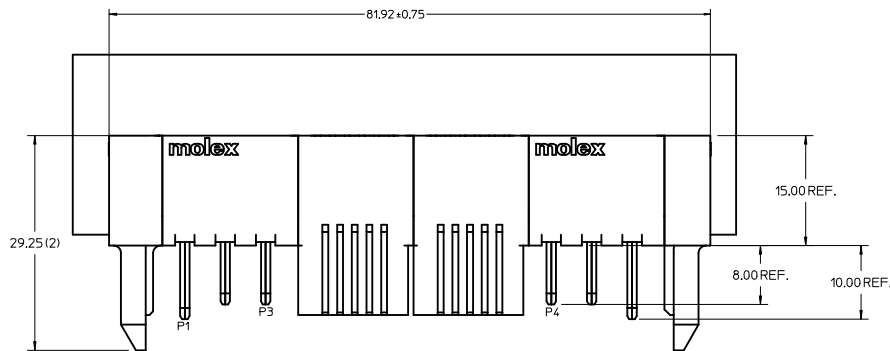
NOTES:

- MATERIAL:
  - HOUSINGS: LCP UL94 V-0, COLOR: BLACK.
  - TERMINALS: COPPER ALLOY.
  - PLATING: 0.000127 NICKEL OVERALL WITH 0.00254 SELECTIVE MATTE TIN ON TAILS, AND 0.000762 SELECTIVE MATTE TIN ON CONTACT AREA.
- PACKAGING ASSEMBLIES TO BE TRAY PACKED, STD. QUANTITY: TBD.
- PC BOARD REQUIRES SOLDER THRU HOLES. REFER TO PS-46436-100 FOR DETAILS.
- PRODUCT SPEC: PS-46436-100.
- APPLICATION SPEC: AS-46436-100.
- SEE PRODUCT SPEC. FOR RoHS REQUIREMENTS.
- ASSEMBLY MATES WITH MOLEX RECEPTACLE ASSEMBLY, P/N 46562-1235.

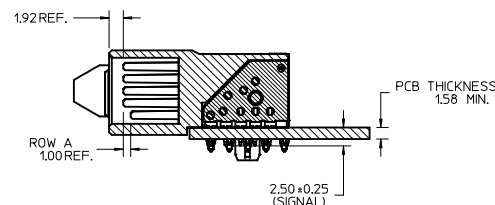
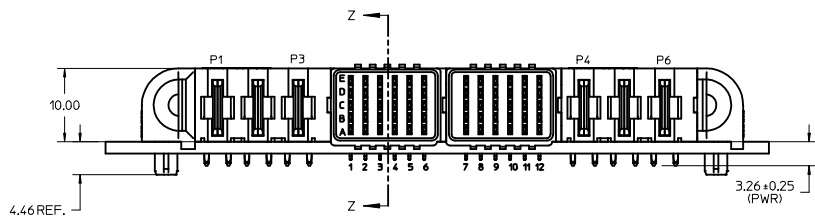


P/N: 46437-1235

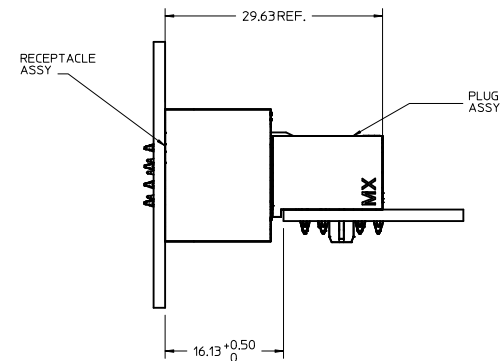
RELEASED IEC NO. UCP2011-3212 DRAWN BY CHYD/BKOSTIC 2011/04/18 CHECKED BY APPR:RNELSON 2011/05/18 REV DESCRIPTION	QUALITY SYMBOLS		GENERAL TOLERANCES (UNLESS SPECIFIED)		DIMENSION STYLE		SCALE	DESIGN UNITS	THIRD ANGLE PROJECTION
					MM ONLY		3:1	METRIC	☉
					DRAWN BY DATE		TITLE		
					CHECKED BY DATE		RA PLUG ASSY		
				APPROVED BY DATE		MATERIAL NO.		DOCUMENT NO.	
				ANGULAR ±1/2°		46437-1235		SD-46437-1235	
		DRAFT WHERE APPLICABLE MUST REMAIN WITHIN DIMENSIONS		SIZE D		MOLEX INCORPORATED			
						SHEET NO. 1 OF 1			



RECOMMENDED PCB LAYOUT AND KEEP-OUT ZONE

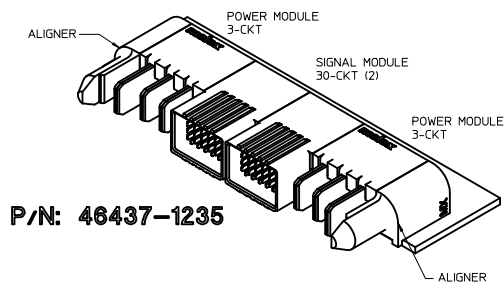


SECTION Z-Z



NOTES:

1. MATERIAL:
  - HOUSINGS: LCP UL94 V-0, COLOR: BLACK.
  - TERMINALS: COPPER ALLOY.
  - PLATING: 0.000127 NICKEL OVERALL WITH 0.00254 SELECTIVE MATTE TIN ON TAILS. AND 0.000762 SELECTIVE MATTE TIN ON CONTACT AREA.
2. PACKAGING ASSEMBLIES TO BE TRAY PACKED, STD. QUANTITY: TBD.
3. PC BOARD REQUIRES SOLDER THRU HOLES. REFER TO PS-46436-100 FOR DETAILS.
4. PRODUCT SPEC: PS-46436-100.
5. APPLICATION SPEC: AS-46436-100.
6. SEE PRODUCT SPEC. FOR RoHS REQUIREMENTS.
7. ASSEMBLY MATES WITH MOLEX RECEPTACLE ASSEMBLY, P/N 46562-1235.



P/N: 46437-1235

RELEASED IEC NO. UCP2011-3212 DRAWN BY CHYD/BKOSTIC 2011/04/18 CHECKED BY APPR:RNELSON 2011/05/18 REV DESCRIPTION	QUALITY SYMBOLS		GENERAL TOLERANCES (UNLESS SPECIFIED)		DIMENSION STYLE		SCALE	DESIGN UNITS	THIRD ANGLE PROJECTION	
			mm	INCH	MM ONLY		3:1	METRIC	☉	
	4 PLACES	±---	±---	±---	BKOSTIC	DATE	TITLE	RA PLUG ASSY		
	3 PLACES	±---	±---	±---	BKOSTIC	2011/04/18	3P-60S-3P, PRESS-FIT	TEN60 POWER FAMILY		
2 PLACES	±0.25	±---	±---	BKOSTIC	2011/04/18	MOLEX INCORPORATED				
1 PLACE	±0.25	±---	±---	APPROVED BY	DATE	WATER NO. 46437-1235		DOCUMENT NO. SD-46437-1235	SHEET NO. 1 OF 1	
ANGULAR ±1/2°			DRAFT WHERE APPLICABLE MUST REMAIN WITHIN DIMENSIONS		THIS DRAWING CONTAINS INFORMATION THAT IS PROPRIETARY TO MOLEX INCORPORATED AND SHOULD NOT BE USED WITHOUT WRITTEN PERMISSION					