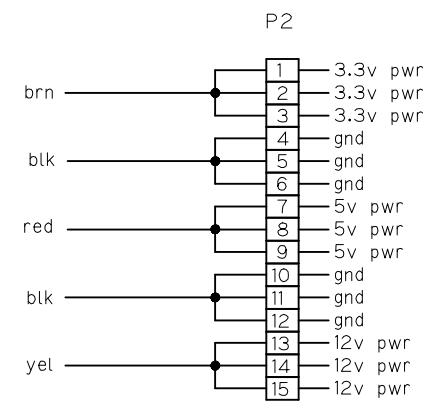
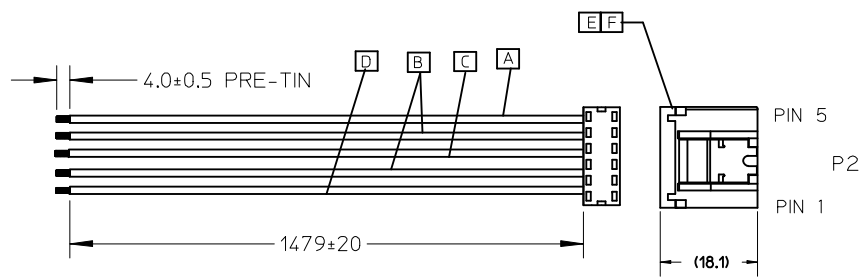


7 6 5 4 3 2 1

REVISIONS				
EC NO	DATE	REV	DESCRIPTION	CHANGER
CY11-5969	10.12.14	C	ADD NOTE 3.	Andrew



NOTE:

- ELECTRIC PERFORMANCE: (电气性能)
 DIELECTRONIC STRENGTH: 500 V/0.01S DC.(介电强度直流500V/0.01秒)
 INSULATION RESISTANCE :100 MOHS MIN.(绝缘阻抗最小100兆欧)
 CONDUCTIVE RESISTANCE :2 OHMS MAX.(导体阻抗最大2.0欧姆)
- S-ATA HOUSING:
 PLOYESTER(PBT), UL94V-0(BLACK)

68561-0023	679260002	30u' Gold - plated terminat
68561-0022	679260001	Gold flash terminal
MATERIAL NO	S-ATA CONN.	DESCRIPTION

F	COVER 679261040	1	
E	S-ATA CONN. : SEE TABLE	1	
D	UL1007 #18 BRN 887711305	1	1485
C	UL1007 #18 RED 887711301	1	1485
B	UL1007 #18 BLK 887711300	2	2970
A	UL1007 #18 YEL 887711303	1	1485
ITEM	DESCRIPTION	QTY	L'(mm)

ENTER DESCRIPTION EC NO: CPG2014-1666 DRWN: JXIA004 CHKD: GX YANG APPR: FNIE	QUALITY SYMBOLS ▽=0 ◻=0	GENERAL TOLERANCES (UNLESS SPECIFIED)		DIMENSION STYLE MM ONLY		SCALE ---	DESIGN UNITS METRIC	THIRD ANGLE PROJECTION			
				mm	INCH	DRAWN BY GX YANG	DATE 04/08/10	TITLE S-ATA IDT POWER LATCHING TO PIGTAIL CABLE ASS'Y 1.5M (3.3V+5V+12V)			
		4 PLACES ±---		±---	±---	CHECKED BY TEDDY	DATE 04/08/10				
		3 PLACES ±---		±---	±---	APPROVED BY BORON	DATE 04/08/10				
2 PLACES ±---		±---	±---	MATERIAL NO. 685610022/3		DOCUMENT NO. SD-68561-005		SHEET NO. 1 OF 1			
1 PLACE ±---		±---	±---	DRAFT WHERE APPLICABLE MUST REMAIN WITHIN DIMENSIONS		THIS DRAWING CONTAINS INFORMATION THAT IS PROPRIETARY TO MOLEX INCORPORATED AND SHOULD NOT BE USED WITHOUT WRITTEN PERMISSION					
ANGULAR ±----°											

6 5 4 3 2 1