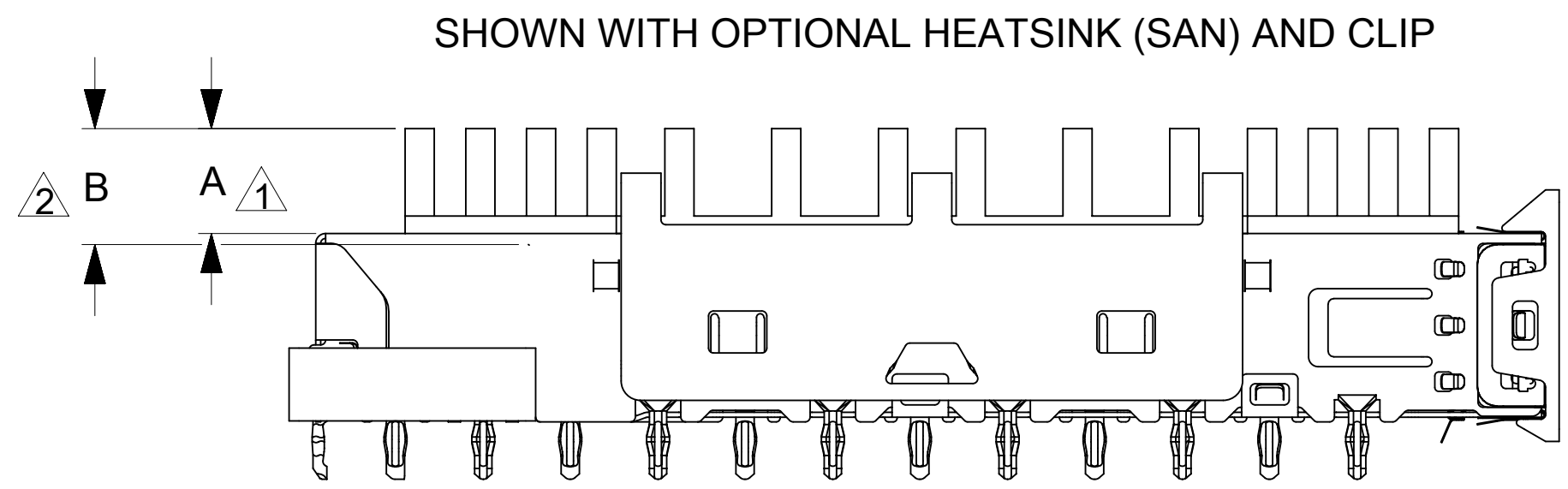
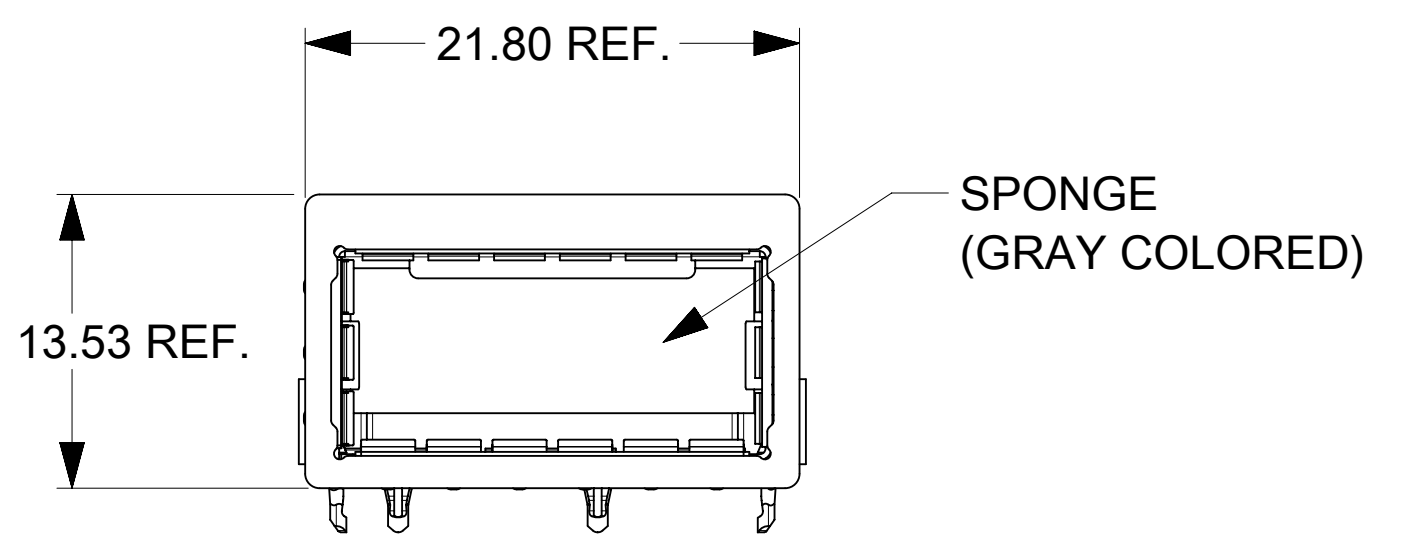


COMPLIANT EMI GASKET (DARK COLORED - GRAY)

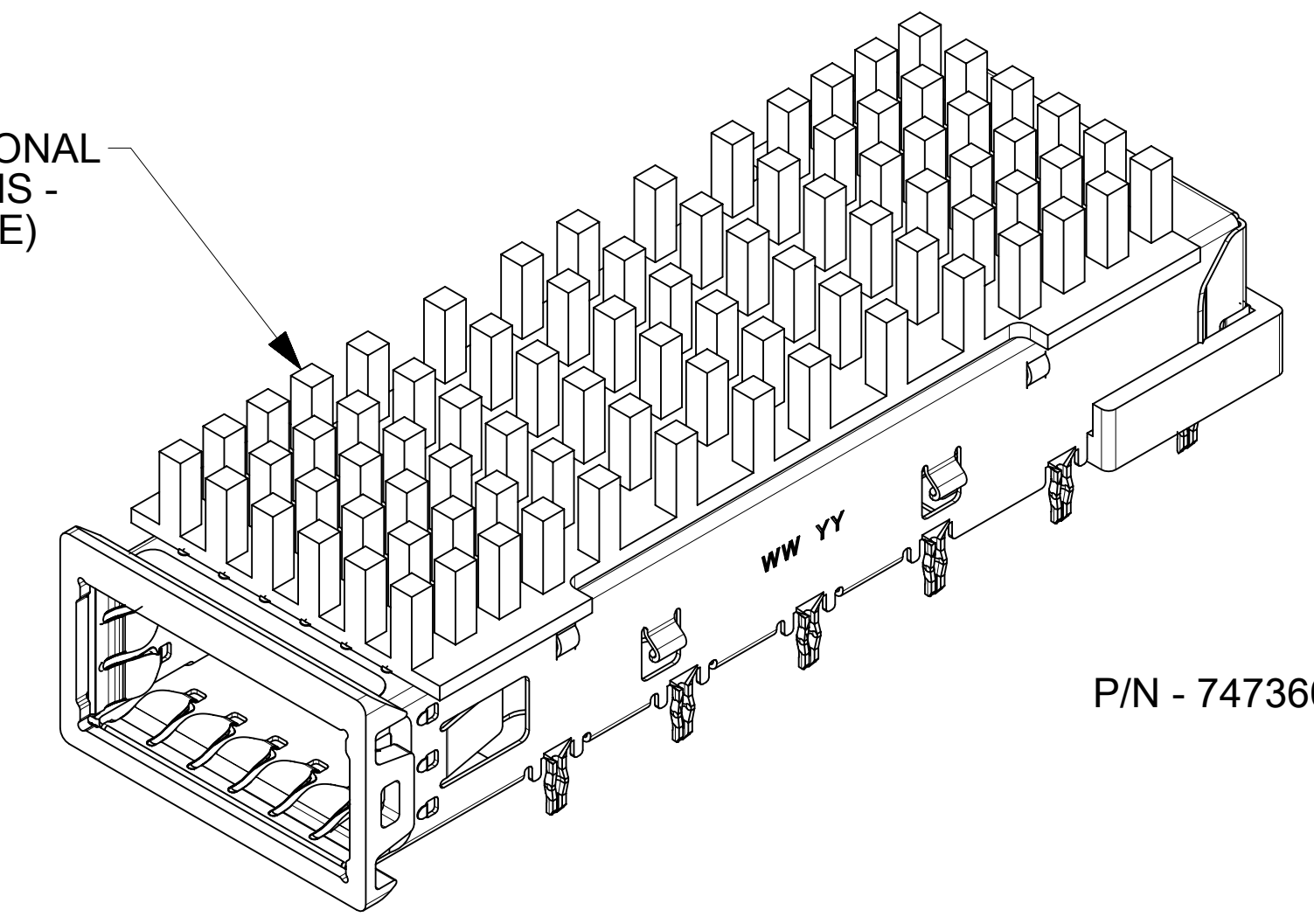


- 1. MAXIMUM HEIGHT OF HEATSINK WITH MODULE INSERTED
- 2. OVERALL HEIGHT OF HEATSINK
- 3. OTHER HEATSINK DESIGNS ARE AVAILABLE INCLUDING CUSTOM DESIGNS

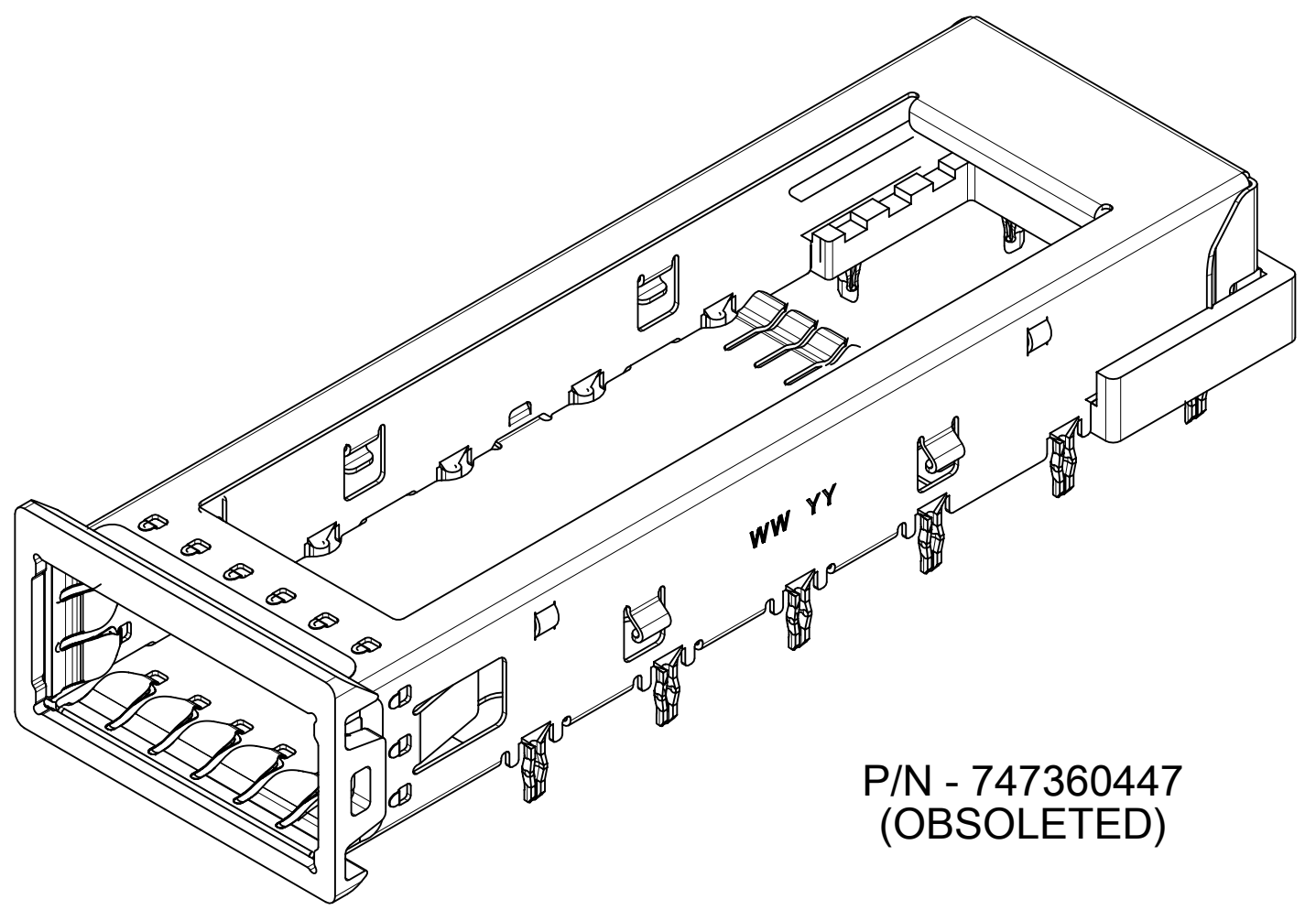
HEATSINK SINK AND CLIP ARE OPTIONAL (SEE CHART FOR HEATSINK OPTIONS - CUSTOM HEATSINKS ARE AVAILABLE)



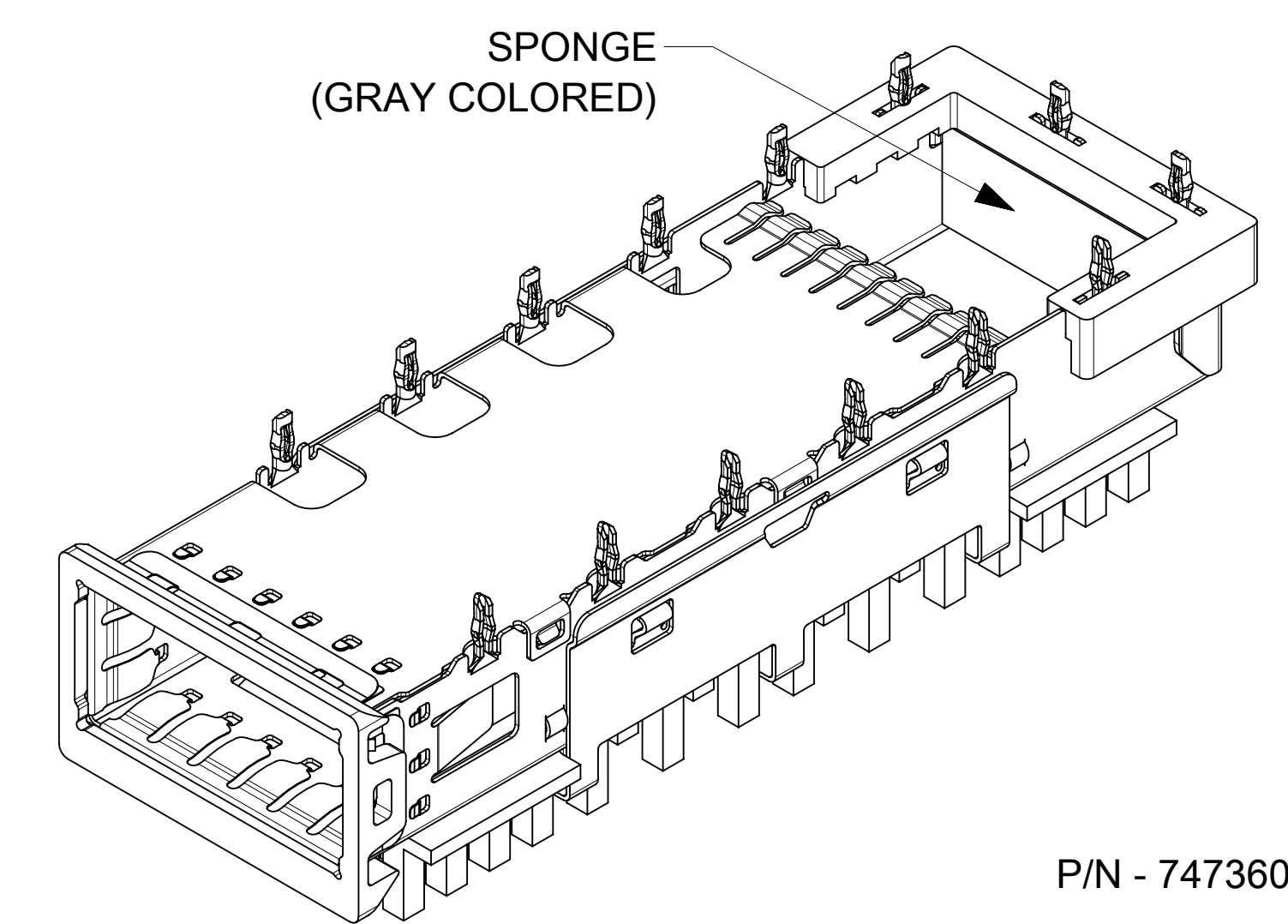
SPONGE (GRAY COLORED)



P/N - 747360449



P/N - 747360447 (OBSOLETE)

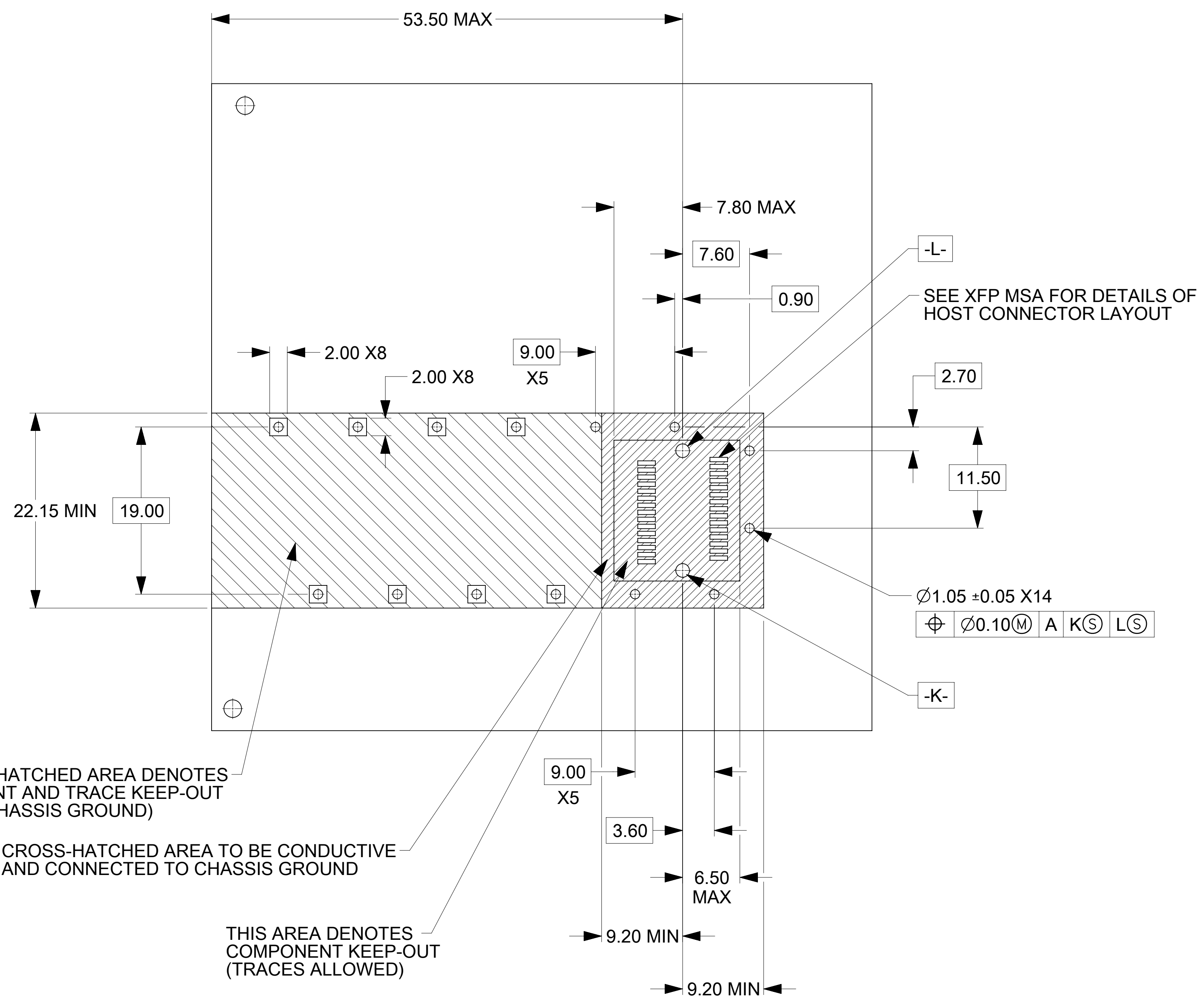


P/N - 747360449

PART NUMBERS FOR XFP CAGE ASSEMBLY & PARTS

P/N	DIM A	DIM B	DESCRIPTION	POWER LEVEL	THERMAL RESISTANCE @200 LFM
747360449	6.3	6.5	XFP CAGE WITH SAN HEATSINK (SHOWN)	UP TO 2.5W	<11.5 C/W
747360450	13.3	13.5	XFP CAGE WITH TALL HEATSINK	UP TO 3.5W	<8.0 C/W
747360230	N/A	N/A	HEATSINK CLIP ONLY	N/A	N/A
747360240	N/A	N/A	PCI HEATSINK ONLY	UP TO 1.5W	<18.0 C/W
747360241	N/A	N/A	SAN HEATSINK ONLY	UP TO 2.5W	<11.5 C/W
747360242	N/A	N/A	TALL HEATSINK ONLY	UP TO 3.5W	<8.0 C/W

FUNCTIONAL SYMBOLS FA = 0 FE = 0 FP = 0	THIS DRAWING CONTAINS INFORMATION THAT IS PROPRIETARY TO MOLEX ELECTRONIC TECHNOLOGIES, LLC AND SHOULD NOT BE USED WITHOUT WRITTEN PERMISSION	CURRENT REV DESC:		
	DIMENSION UNITS: mm	SCALE: 3:1	EC NO: 728791	
DIVISIONAL SYMBOLS	GENERAL TOLERANCES (UNLESS SPECIFIED)	MM	INCH	<p>DRWN: DKUMARG 2022/11/16</p> <p>CHK'D: SMALLESHAPPA 2022/11/16</p> <p>APPR: SCHIEN 2022/11/17</p>
	4 PLACES ±	±		INITIAL REVISION:
	3 PLACES ±	±		DRWN: CHIRSCHY 2008/09/25
	2 PLACES ±	0.1 ±		APPR: RMAHMOOD 2008/09/26
	1 PLACE ±	0.25 ±		
	0 PLACES ±	±		
	ANGULAR TOL	± 1.0 °		
	DRAFT WHERE APPLICABLE MUST REMAIN WITHIN DIMENSIONS		THIRD ANGLE PROJECTION	
			DRAWING: D-SIZE	SHEET NUMBER: 1 OF 3
			SERIES: 74736	
			MATERIAL NUMBER: SEE P/N TABLE	
			CUSTOMER: GENERAL MARKET	

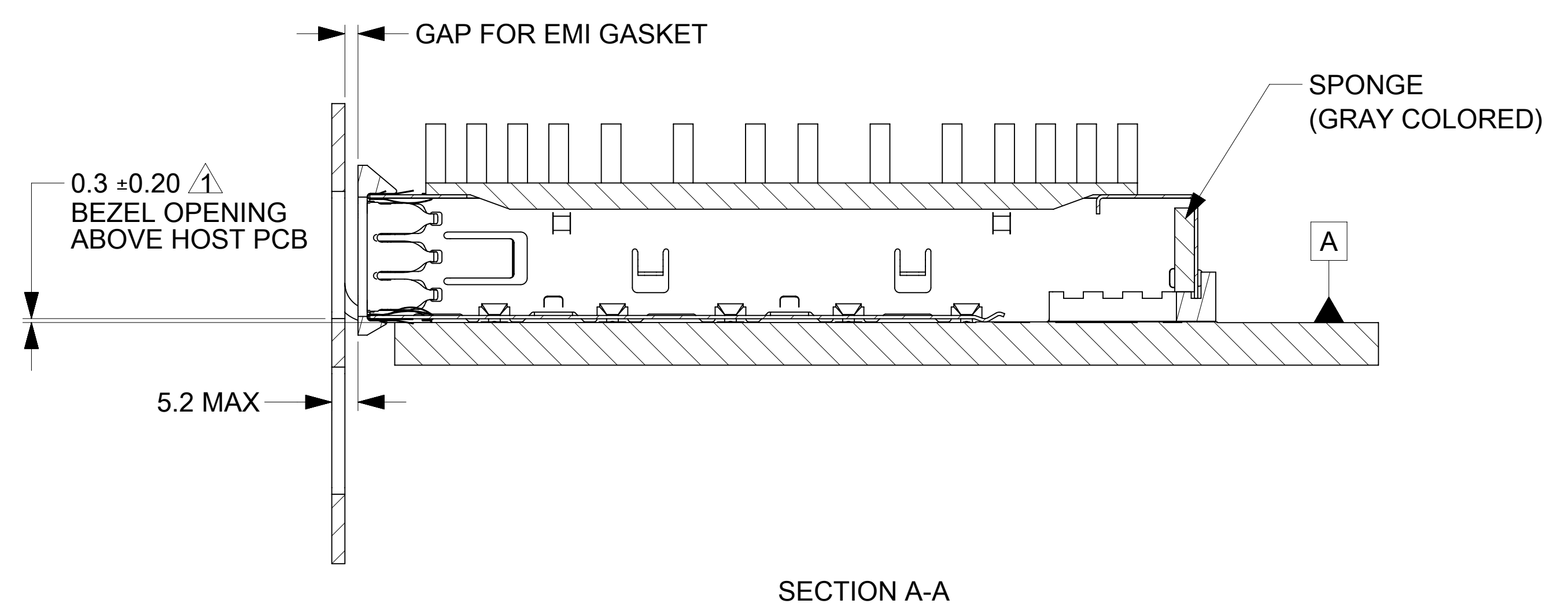
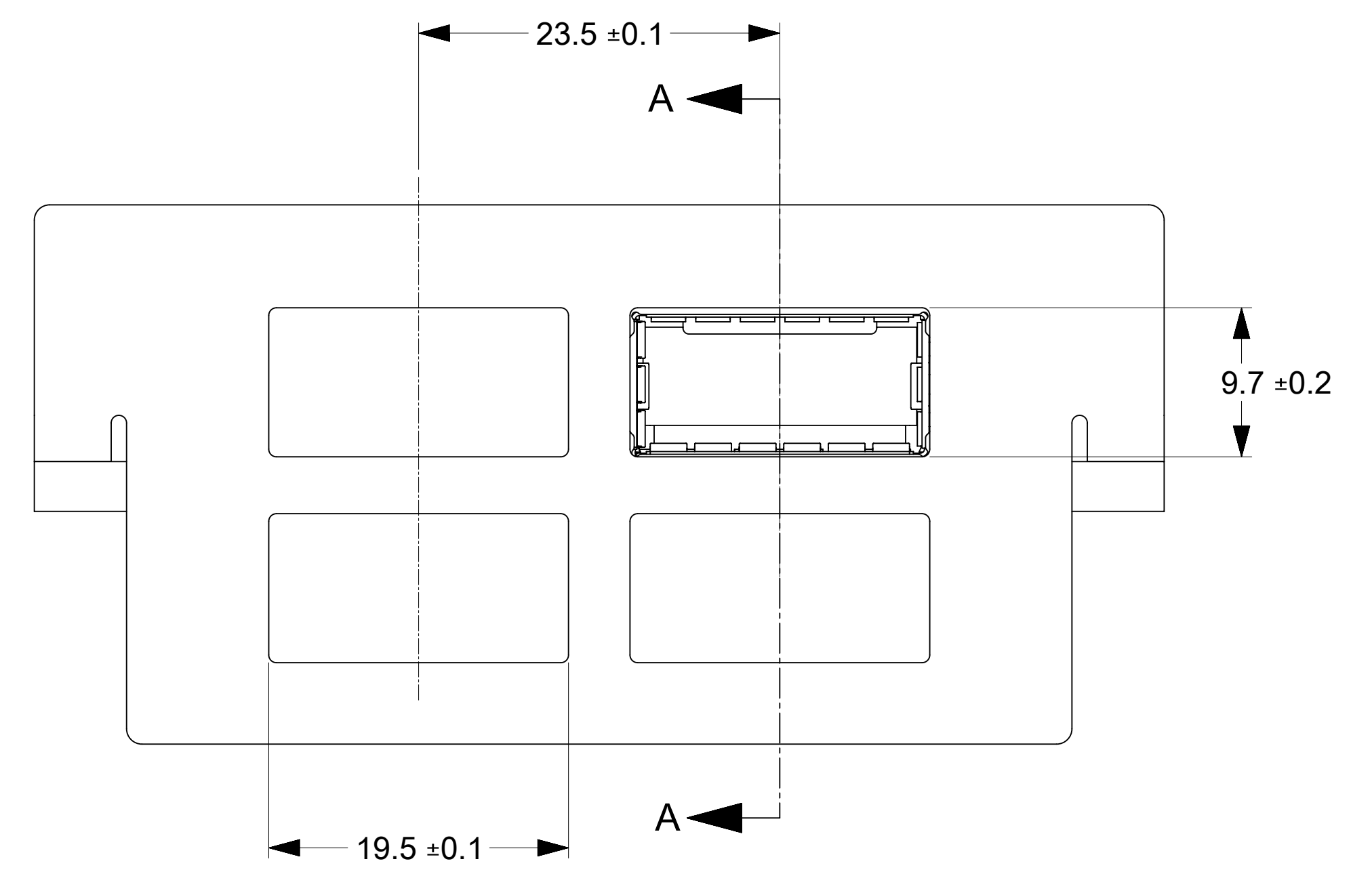


CROSSED-HATCHED AREA DENOTES COMPONENT AND TRACE KEEP-OUT (EXCEPT CHASSIS GROUND)

CROSS-HATCHED AREA TO BE CONDUCTIVE AND CONNECTED TO CHASSIS GROUND

THIS AREA DENOTES COMPONENT KEEP-OUT (TRACES ALLOWED)


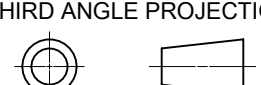
▲ FOR PCI APPLICATIONS RECOMMENDED DIMENSION IS 0.4 ±0.1



FUNCTIONAL SYMBOLS	THIS DRAWING CONTAINS INFORMATION THAT IS PROPRIETARY TO MOLEX ELECTRONIC TECHNOLOGIES, LLC AND SHOULD NOT BE USED WITHOUT WRITTEN PERMISSION										
	FA = 0	mm	3:1	CURRENT REV DESC:							<p>XFP CAGE ASSEMBLY W/ 3D LEG</p>
	FC = 0	GENERAL TOLERANCES (UNLESS SPECIFIED)		EC NO: 728791							
	FP = 0	MM	INCH	DRWN: DKUMARG 2022/11/16							
DIVISIONAL SYMBOLS	4 PLACES ±	±	CHK'D: SMALLESHAPPA 2022/11/16								
	3 PLACES ±	±	APPR: SCHIEN 2022/11/17								
	2 PLACES ±	0.1	±	INITIAL REVISION:							
	1 PLACE ±	0.25	±	DRWN: CHIRSCHY 2008/09/25							
	0 PLACES ±	±	±	APPR: RMAHMOOD 2008/09/26							
	ANGULAR TOL	± 1.0°		DRAFT WHERE APPLICABLE MUST REMAIN WITHIN DIMENSIONS							
				THIRD ANGLE PROJECTION	DRAWING	SERIES	MATERIAL NUMBER	CUSTOMER	SHEET NUMBER		
					D-SIZE	74736	SEE P/N TABLE	GENERAL MARKET	2 OF 3		

DOCUMENT STATUS	P1	RELEASE DATE	2022/11/17 01:55:17
-----------------	----	--------------	---------------------

DATE	REV	DESCRIPTION
2008/09/19	A	INITIAL RELEASE
2008/12/15	B	1. ADDED TEXT (DARK COLORED) TO COMPLIANT EMI GASKET NOTE
2010/03/01	C	1. ADDED NOTE TO PAGE 2 - THIS AREA DENOTES COMPONENT KEEP-OUT (TRACES ALLOWED) TO VIEW. 2. REMOVED NOTE 2 FROM PAGE 2.
2010/11/02	D	1. 13.53 REF. DIMENSION WAS 12.95 REF. 2. ADD 1 PLACE TOLERANCE OF ±0.25 TO TITLE BLOCK
2013/04/23	E	1. ADDED 747360453.
2019/02/04	F	1. OBSOLETE PART NUMBER 747360448.
2019/12/11	F1	1. OBSOLETE P/N 0747360447 AND 747360453
2021/01/07	F2	SHEET 1: E17: REMOVED THE VIEW OF 747360453. J09 & H05: ADDED A NOTE FOR SPONGE(GRAY COLORED). SHEET 2: G03: ADDED A NOTE FOR SPONGE(GRAY COLORED).
2022/11/16	F3	SHEET 01 : K12 : CORRECTED TYPO OF DIMENSION FROM 12.95 REF TO 13.53 REF FOR THE FG P/N 747360449 AND 747360450.

FUNCTIONAL SYMBOLS FA = 0 FC = 0 FP = 0	THIS DRAWING CONTAINS INFORMATION THAT IS PROPRIETARY TO MOLEX ELECTRONIC TECHNOLOGIES, LLC AND SHOULD NOT BE USED WITHOUT WRITTEN PERMISSION		CURRENT REV DESC:		
	DIMENSION UNITS mm	SCALE 1:1	GENERAL TOLERANCES (UNLESS SPECIFIED)		
DIVISIONAL SYMBOLS	MM		INCH		INITIAL REVISION: DRWN: CHIRSCHY 2008/09/25 APPR: RMAHMOOD 2008/09/26
	4 PLACES ±	±			
	3 PLACES ±	±			
	2 PLACES ±	0.1 ±			
1 PLACE ±	0.25 ±			DOCUMENT NUMBER SD-74736-0448	
0 PLACES ±	±				DOC TYPE PSD
ANGULAR TOL ± 1.0 °		THIRD ANGLE PROJECTION		DOC PART 001	REVISION F3
DRAFT WHERE APPLICABLE MUST REMAIN WITHIN DIMENSIONS				CUSTOMER GENERAL MARKET	SHEET NUMBER 3 OF 3
D-SIZE		SERIES 74736		MATERIAL NUMBER SEE P/N TABLE	