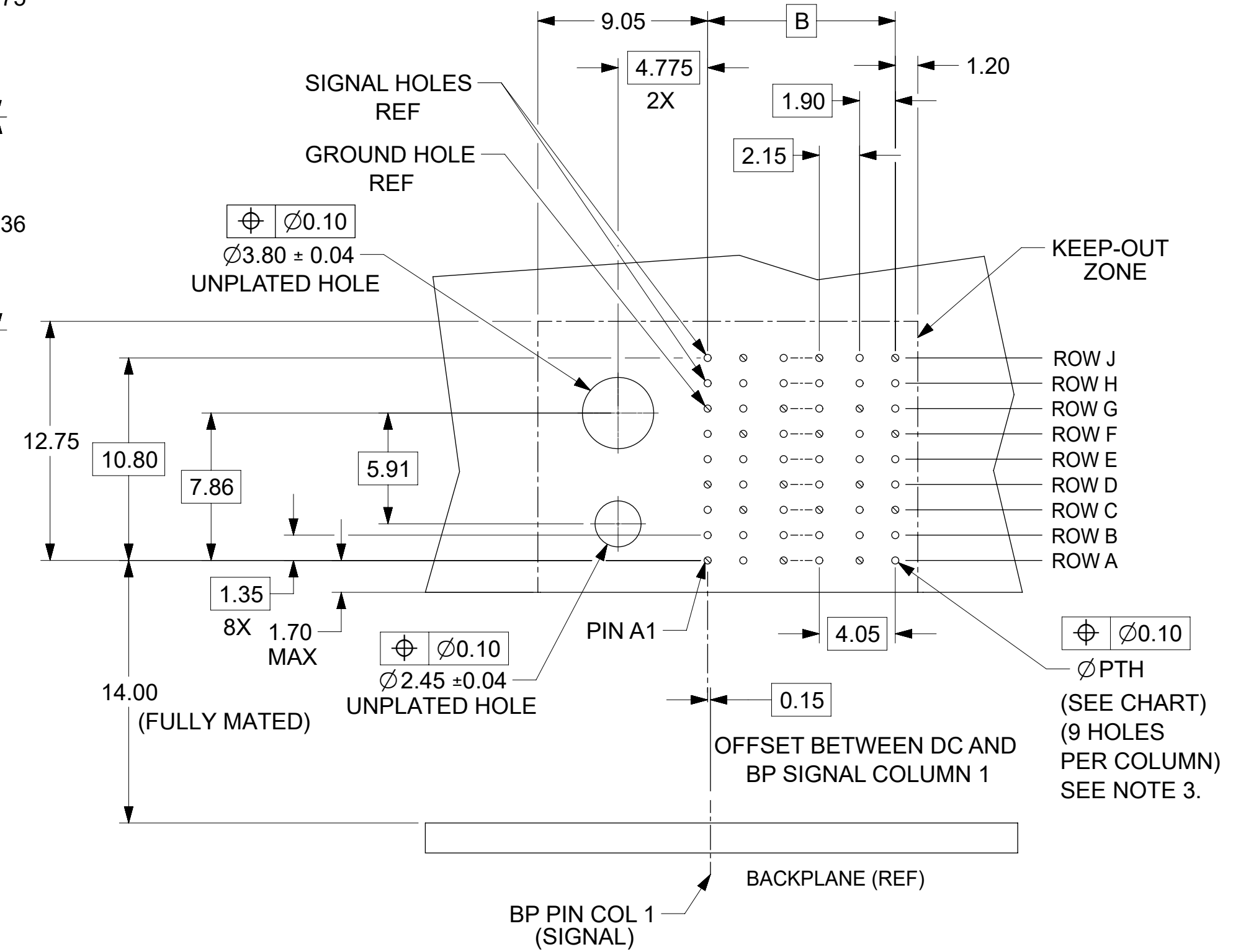
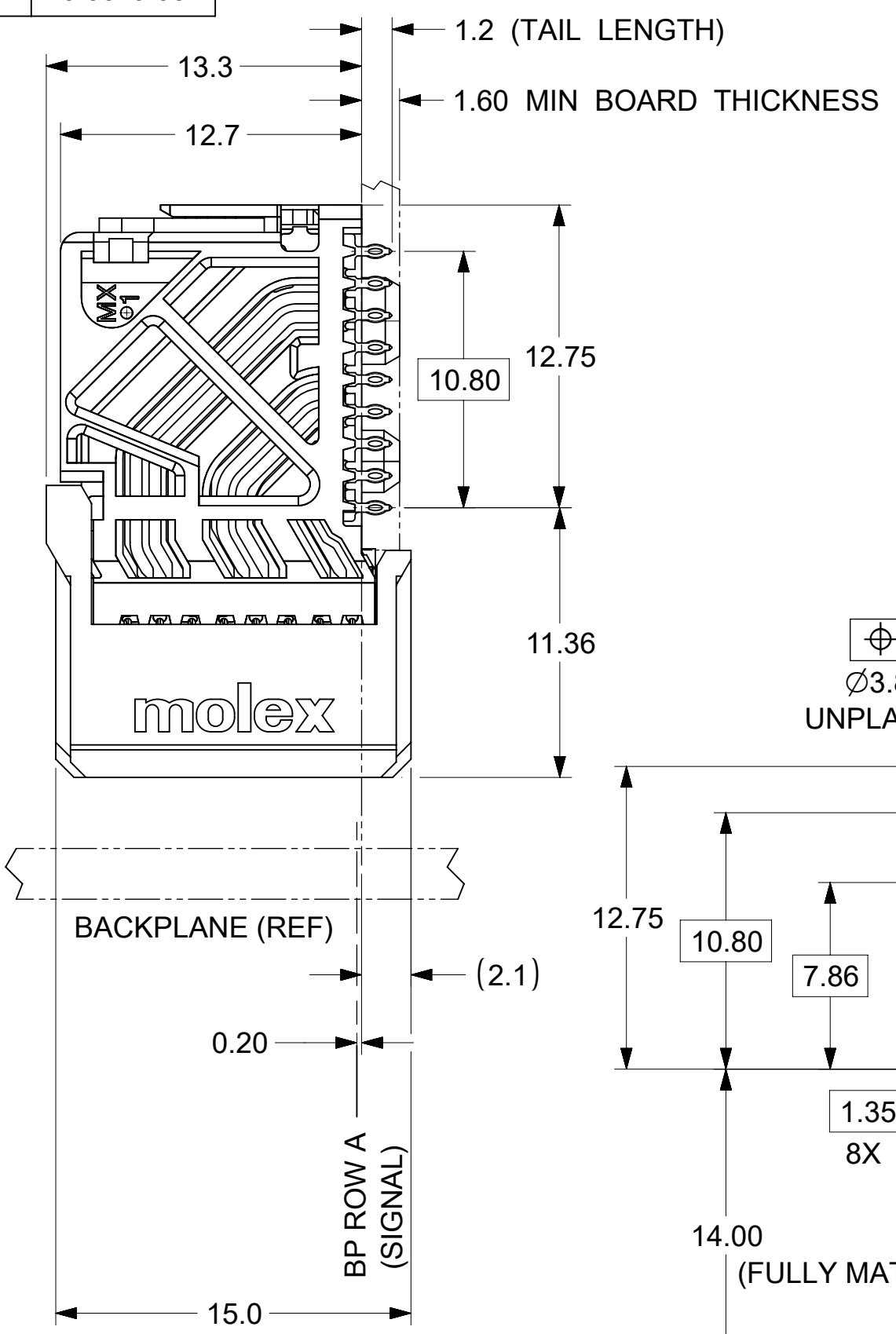
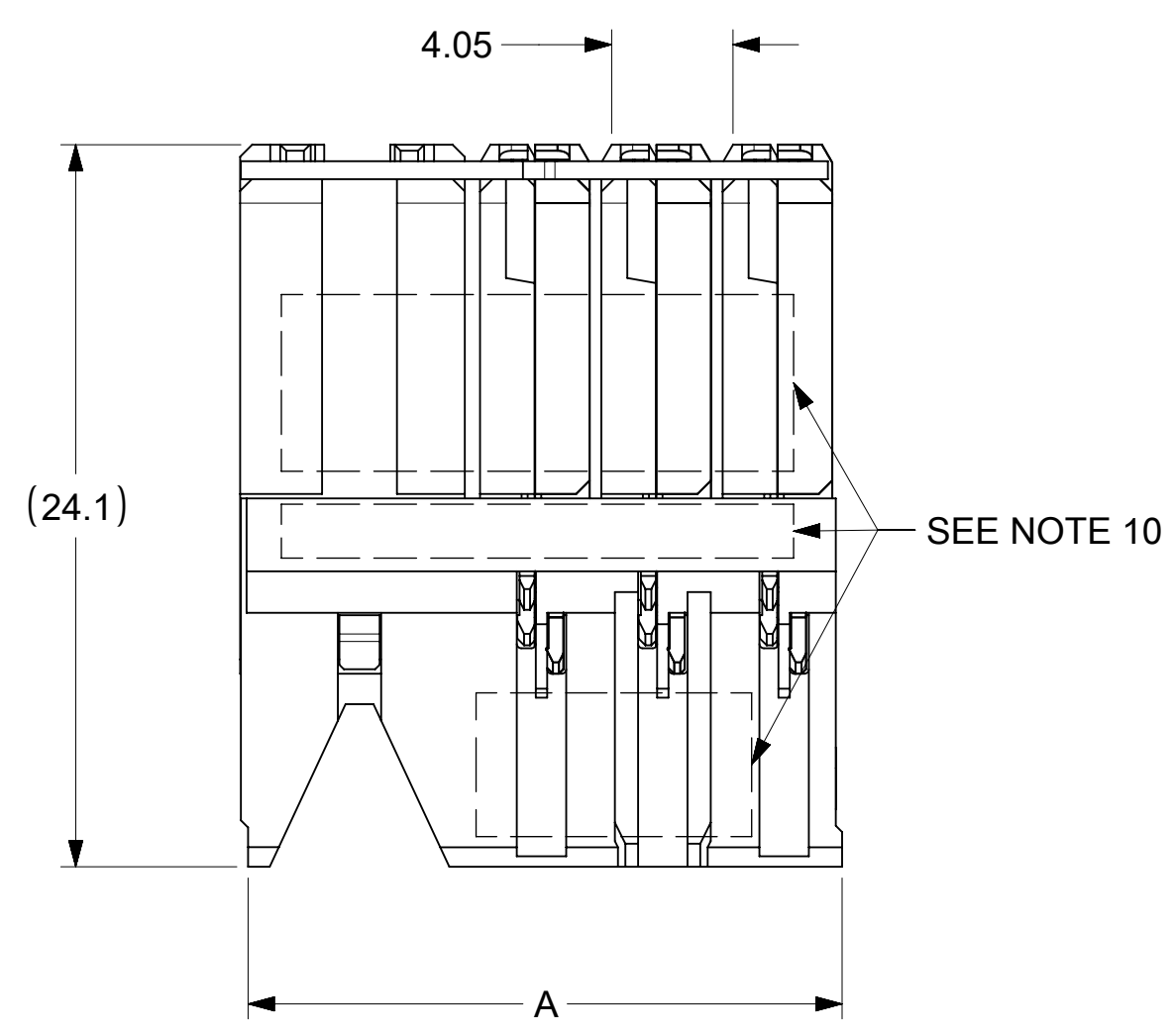
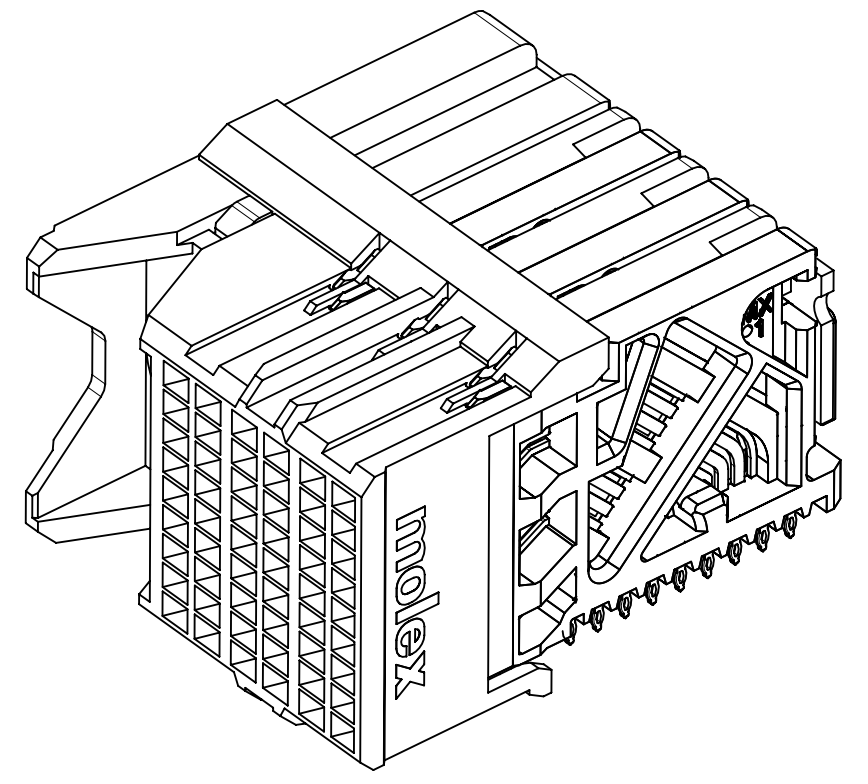


MATERIAL NUMBER	# OF COLUMNS	# OF DIFF PAIR	DIM "A" MAX	DIM "B"	PTH $\phi$
76860-3006	6	18	20.25	10.00	0.46 $\pm$ 0.05
76860-3036	6	18	20.25	10.00	0.39 $\pm$ 0.05
76860-3008	8	24	24.30	14.05	0.46 $\pm$ 0.05
76860-3038	8	24	24.30	14.05	0.39 $\pm$ 0.05

76860 - \*0\*\*

MODULE & TAIL PLATING TYPE  
3 = LEFT GUIDED, LEAD-FREE

# OF COLUMNS  
06 = 6 COL 0.46 PTH  
36 = 6 COL 0.39 PTH  
08 = 8 COL 0.46 PTH  
38 = 8 COL 0.39 PTH



- NOTES:
- MATERIALS: HOUSING - LIQUID CRYSTAL POLYMER (LCP), GLASS-FILLED, UL94V-0  
TERMINALS - HIGH PERFORMANCE COPPER ALLOY
  - FINISH: 30 $\mu$ IN MIN GOLD IN CONTACT AREA. SELECTIVE TIN ON PCB TAILS. NICKEL OVERALL.
  - REFER TO MOLEX PRODUCT SPEC PS-76060-999 FOR PERFORMANCE SPECIFICATIONS AND ADDITIONAL PCB INFORMATION.
  - EACH SIGNAL WAFER CONTAINS 2 COLUMNS OF TERMINALS.
  - PRODUCT IS PACKAGED PER PK-70873-591.
  - THIS PART CONFORMS TO CLASS B REQUIREMENTS OF COSMETIC SPEC PS-45499-002.
  - REFER TO MOLEX SALES DRAWING SD-76855-002 FOR THE MATING HEADERS.
  - WHEN USING MOLEX SUPPLIED #2-32 SCREW 73726-4000 (4.31mm  $\pm$ 0.38 THREADABLE SCREW LENGTH), THE MAXIMUM BOARD THICKNESS IS 2.4mm.
  - REFER TO MOLEX ROUTING GUIDE AS-76850-990 FOR ADDITIONAL PCB LAYOUT AND ROUTING RECOMMENDATIONS.
  - MARKING: LOCATED APPROXIMATELY AS SHOWN. PART NUMBER AND DATE CODE.

DAUGHTERCARD HOLE PATTERN  
(CONNECTOR SIDE)

THIS DRAWING CONTAINS INFORMATION THAT IS PROPRIETARY TO MOLEX ELECTRONIC TECHNOLOGIES, LLC AND SHOULD NOT BE USED WITHOUT WRITTEN PERMISSION											
DIMENSION UNITS		SCALE		CURRENT REV DESC: REMASTERED TO NX							
mm		NTS		<p>IMPACT DAUGHTERCARD 3 PAIR ORTHOGONAL GUIDE LEFT SALES DWG</p> <p>PRODUCT CUSTOMER DRAWING</p>							
GENERAL TOLERANCES (UNLESS SPECIFIED)											
ANGULAR TOL $\pm$ 0.5°											
4 PLACES		$\pm$									
3 PLACES		$\pm$									
2 PLACES		$\pm$ 0.15		EC NO: 705090		2021/12/03		<p>DOCUMENT NUMBER</p> <p>SD-76860-002</p> <p>MATERIAL NUMBER</p> <p>SEE TABLE</p>			
1 PLACE		$\pm$ 0.25		DRWN: YOGEEB		2022/01/31					
0 PLACES		$\pm$		CHK'D: DYARAS		2022/05/13					
DRAFT WHERE APPLICABLE MUST REMAIN WITHIN DIMENSIONS				INITIAL REVISION:		2010/01/11				DOC TYPE	
THIRD ANGLE PROJECTION				DRWN: JLAURX		2010/01/14				DOC PART	
DRAWING				APPR: LZENG		2022/05/13		REVISION			
C-SIZE				SERIES		76860		PSD 001 B4			
SHEET NUMBER				GENERAL MARKET		1 OF 1					