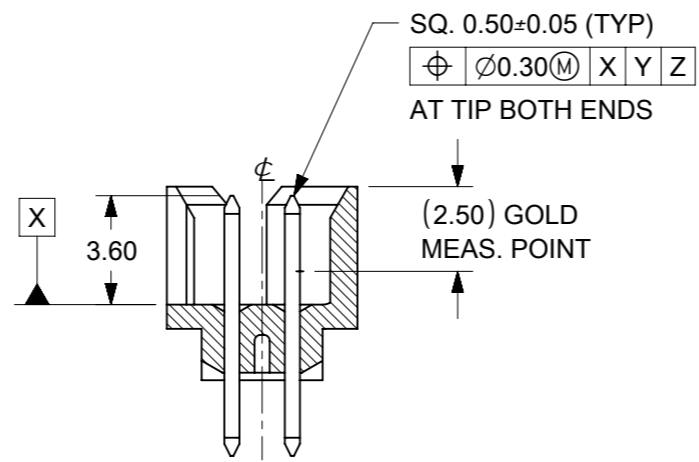
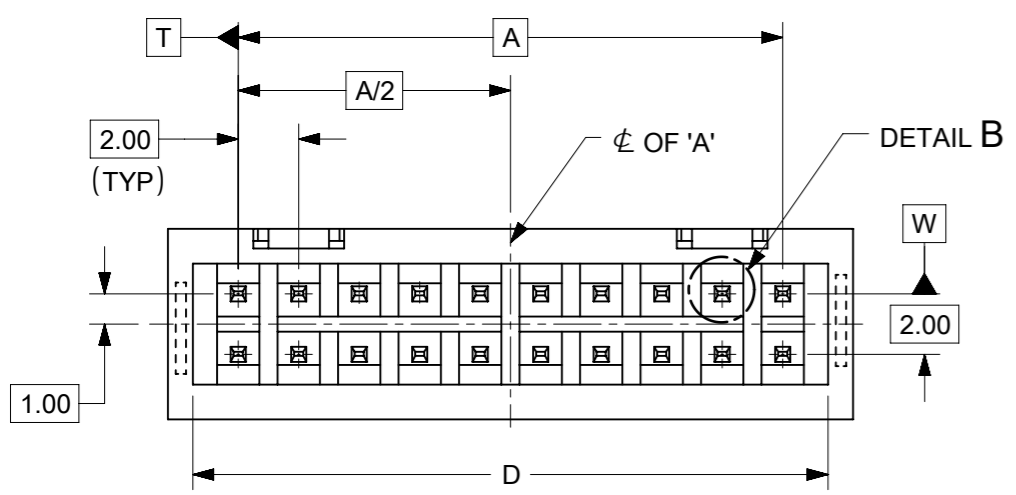
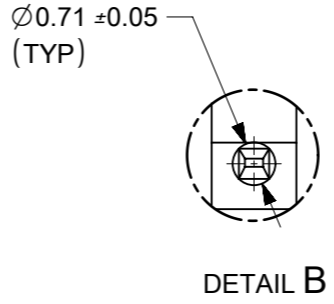
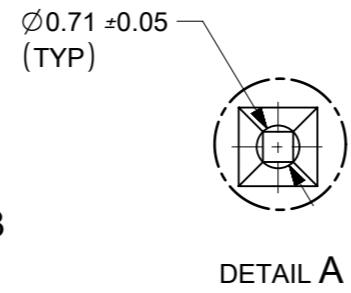
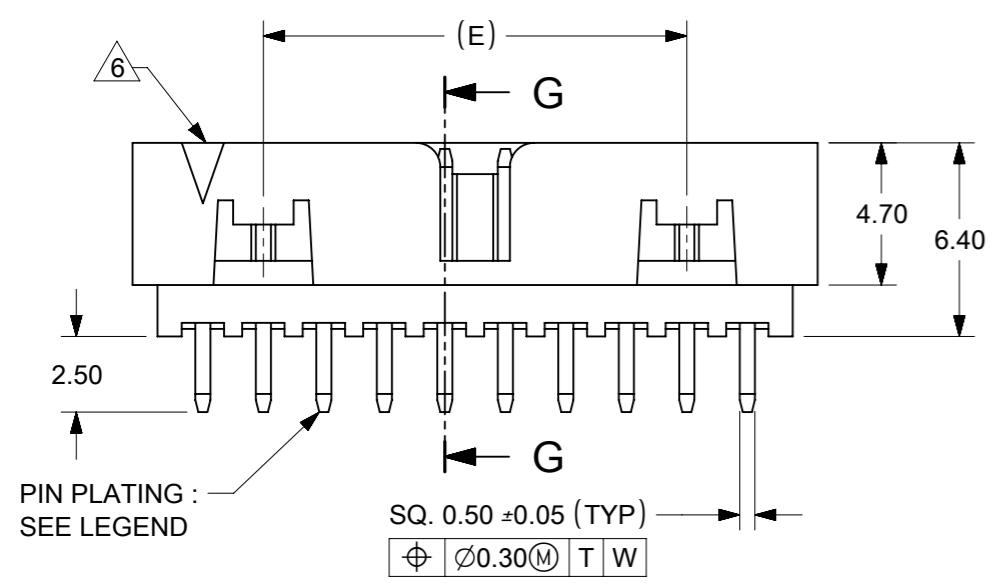


**ORIENTATION OF PART IN TUBE**  
(FOR THE REFERENCE OF PART/TUBE ASSEMBLY)

- NOTES:
- FOR ILLUSTRATION PURPOSES, 20 CIRCUIT SIZE WAFER IS SHOWN.
  - MATERIAL :  
HOUSING : GLASS-FILLED NYLON, UL94V-0, COLOR BLACK.  
PIN : 0.50mm SQ. PHOSPHOR BRONZE.
  - PRODUCT SPECIFICATION PS-87831-027 APPLIES.
  - WITH CENTRE POLARISATION SLOT FOR 87831-6120.
  - NO SIDE LOCKING SLOT FROM 6 TO 12 CKT SIZE.
  - CKT 6 HAS NO IDENTIFICATION TAG.
  - THIS HEADER MATES WITH MOLEX :  
a) CRIMP RECEPTACLE HOUSING, 51110 SERIES WITH CRIMP TERMINAL, 50394 SERIES.  
b) 2mm MILLIGRID DUAL ROW IDT, 87568 SERIES.  
c) 2mm MILLIGRID DUAL ROW: 79107 (GOLD PLATED), 78787 (TIN PLATED)
  - PARTS TO BE PACKED IN TUBE WITH MOISTURE BARRIER BAG.
  - PACKAGING SPECIFICATION : FOR TUBE : PK-87831-001  
FOR T&R : PK-87831-300

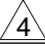


SECTION G-G



THIS DRAWING CONTAINS INFORMATION THAT IS PROPRIETARY TO MOLEX ELECTRONIC TECHNOLOGIES, LLC AND SHOULD NOT BE USED WITHOUT WRITTEN PERMISSION										
ADDED BTB DIST. EC NO: 619055 DRWN: SCS02 CHK'D: NMANE02 REV APPR: MIRAMAKRISHNA	2018/06/19	GENERAL TOLERANCES (UNLESS SPECIFIED)		DIMENSION UNITS		SCALE		<b>molex</b>		
	2019/07/09	MM	INCH	MM	NTS	MGRID, SHROUDED HEADER VERTICAL W/SLOT & STANDOFF				
	2019/07/09	4 PLACES ±	±	DRWN BY	DATE	PRODUCT CUSTOMER DRAWING		SERIES		
		3 PLACES ±	±	ATSEE	2003/10/03	87831		MATERIAL NUMBER		
		2 PLACES ±	0.2	±	CHK'D BY	DATE	SEE TABLE		CUSTOMER	
	1 PLACES ±	±	±	KCLING	2003/11/07	GENERAL MARKET		DOCUMENT NUMBER		
	0 PLACES ±	±	±	APPR BY	DATE	SD-87831-011		DOC TYPE		
	ANGULAR TOL = 3.0		SKTOH	2003/11/07	PSD		DOC PART		SHEET NUMBER	
	DRAFT WHERE APPLICABLE MUST REMAIN WITHIN DIMENSIONS		DRAWING SIZE	THIRD ANGLE PROJECTION	001		1 OF 4			
C4		A3								

**OTHER OPTIONS**

ASSY. P/N IN T&R	ASSY. P/N IN TUBE	CKT SIZE	PLATING OPTIONS	VOID POSITION	DIMENSIONS					
					A	B	C	D	E	(G)
----	87831-5120	12	2	1	10.00	12.85	14.65	13.00	----	----
----	87831-5220	44	2	20	42.00	44.85	46.65	45.00	38.00	----
----	87831-5320	24	2	13	22.00	24.85	26.65	25.00	18.00	----
----	87831-5420	34	2	3	32.00	34.85	36.65	35.00	28.00	----
----	87831-5520	20	2	20	18.00	20.85	22.65	21.00	14.00	----
----	87831-5620	28	2	13	26.00	28.85	30.65	29.00	22.00	----
----	87831-5720	34	2	15	32.00	34.85	36.65	35.00	28.00	----
----	87831-5820	40	2	25	38.00	40.85	42.65	41.00	34.00	----
----	87831-5920	20	2	13	18.00	20.85	22.65	21.00	14.00	----
----	87831-6020	24	2	20	22.00	24.85	26.65	25.00	18.00	----
----	87831-6120 	6	2	1	4.00	6.85	8.65	7.00	----	----
----	87831-6320	20	2	19	18.00	20.85	22.65	21.00	14.00	----


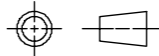
**PART NUMBER LEGEND:**

87831 - \* \* \* \*

PLATING OPTION 

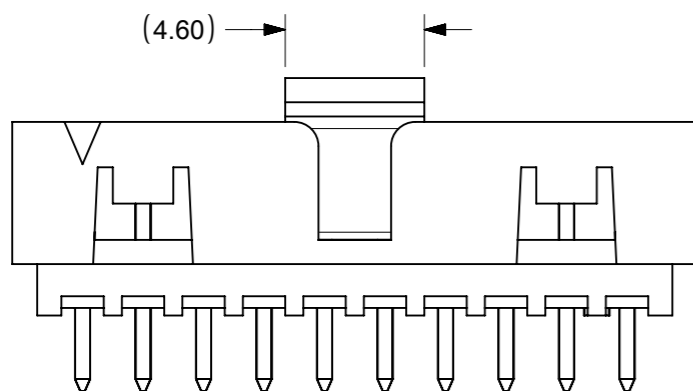
OPTION 1	**19 - 0.05-0.13µm/2-5µin GOLD IN CONTACT AREA AND 1.88µm/75µin MIN. TIN IN SOLDER TAIL AREA OVER 1.27µm/50µin MIN. NICKEL OVERALL.
OPTION 2	**20 - 0.38µm/15µin GOLD IN CONTACT AREA AND 1.88µm/75µin MIN. TIN IN SOLDER TAIL AREA OVER 1.27µm/50µin MIN. NICKEL OVERALL.
OPTION 3	**21 - 0.76µm/30µin GOLD IN CONTACT AREA AND 1.88µm/75µin MIN. TIN IN SOLDER TAIL AREA OVER 1.27µm/50µin MIN. NICKEL OVERALL.
OPTION 4	**36 - 2.50µm/100µin MIN. TIN OVER 1.25µm/50µin MIN. NICKEL OVERALL.

THIS DRAWING CONTAINS INFORMATION THAT IS PROPRIETARY TO MOLEX ELECTRONIC TECHNOLOGIES, LLC AND SHOULD NOT BE USED WITHOUT WRITTEN PERMISSION

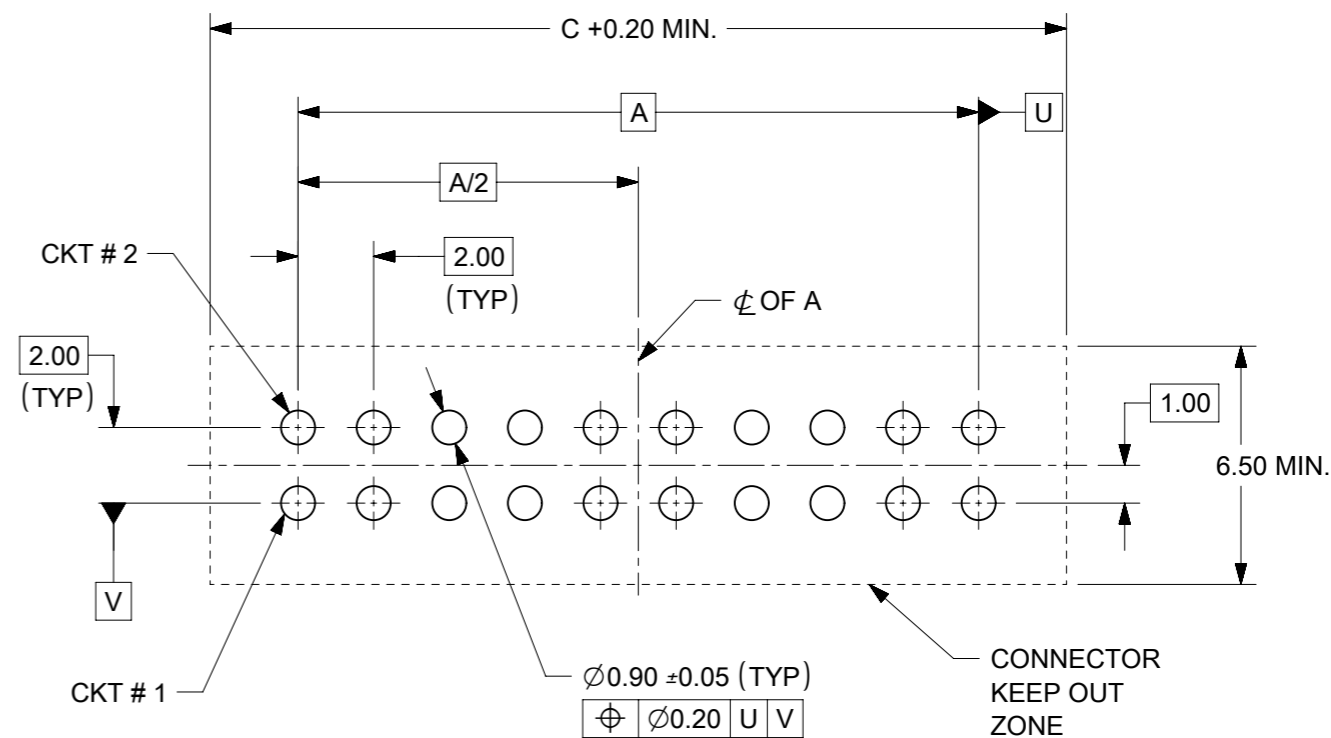
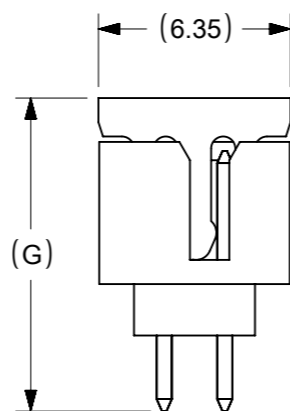
ADDED BTB DIST. EC NO: 619055 DRWN: SCS02 CHK'D: NMANE02 REV APPR: MRAMAKRISHNA	2018/06/19	2019/07/09	2019/07/09	GENERAL TOLERANCES (UNLESS SPECIFIED)		DIMENSION UNITS		SCALE							
				MM	INCH	MM	NTS								
				4 PLACES ±	±	DRWN BY	DATE	ATSEE		2003/10/03		MGRID, SHROUDED HEADER VERTICAL W/SLOT & STANDOFF			
				3 PLACES ±	±	CHK'D BY	DATE	KCLING		2003/11/07					
				2 PLACES ±	0.2	APPR BY	DATE	SKTOH		2003/11/07					
			1 PLACES ±	±	DRAWING SIZE		THIRD ANGLE PROJECTION		PRODUCT CUSTOMER DRAWING						
			0 PLACES ±	±	A3				SERIES	MATERIAL NUMBER	CUSTOMER				
			ANGULAR TOL = 3.0		DRAFT WHERE APPLICABLE MUST REMAIN WITHIN DIMENSIONS				87831	SEE TABLE	GENERAL MARKET				
					DOCUMENT NUMBER		DOC TYPE		DOC PART	SHEET NUMBER					
					SD-87831-011		PSD		001	2 OF 4					

RELEASE STATUS	P1	RELEASE DATE	2019/07/09	06:47:14
----------------	----	--------------	------------	----------

**CAP INFORMATION**



ILLUSTRATED VIEWS WITH CAP



**RECOMMENDED PCB PATTERN**

THIS DRAWING CONTAINS INFORMATION THAT IS PROPRIETARY TO MOLEX ELECTRONIC TECHNOLOGIES, LLC AND SHOULD NOT BE USED WITHOUT WRITTEN PERMISSION

ADDED BTB DIST. EC NO: 619055 DRWN: SCS02 CHK'D: NMANE02 REV APPR: MRAMAKRISHNA	2018/06/19 2019/07/09 2019/07/09		GENERAL TOLERANCES (UNLESS SPECIFIED)		DIMENSION UNITS MM INCH		SCALE NTS					
	4 PLACES	±	±	DRWN BY	DATE	ATSEE 2003/10/03						
	3 PLACES	±	±	CHK'D BY	DATE	KCLING 2003/11/07						
	2 PLACES	± 0.2	±	APPR BY	DATE	SKTOH 2003/11/07						
	1 PLACES	±	±	DRAWING SIZE A3		THIRD ANGLE PROJECTION						
	0 PLACES	±	±	ANGULAR TOL = 3.0		DRAFT WHERE APPLICABLE MUST REMAIN WITHIN DIMENSIONS						
RELEASE STATUS   P1   RELEASE DATE   2019/07/09 06:47:14			EC NO: 619055 DRWN: SCS02 CHK'D: NMANE02 REV APPR: MRAMAKRISHNA			DIMENSION UNITS MM INCH		SCALE NTS				
			4 PLACES ± ±		DRWN BY ATSEE		DATE 2003/10/03		MGRID, SHROUDED HEADER VERTICAL W/SLOT & STANDOFF			
			3 PLACES ± ±		CHK'D BY KCLING		DATE 2003/11/07					
			2 PLACES ± 0.2 ±		APPR BY SKTOH		DATE 2003/11/07		PRODUCT CUSTOMER DRAWING			
			1 PLACES ± ±		DRAWING SIZE A3		THIRD ANGLE PROJECTION		SERIES 87831	MATERIAL NUMBER SEE TABLE		CUSTOMER GENERAL MARKET
			0 PLACES ± ±		ANGULAR TOL = 3.0		DRAFT WHERE APPLICABLE MUST REMAIN WITHIN DIMENSIONS		DOCUMENT NUMBER SD-87831-011			
			EC NO: 619055 DRWN: SCS02 CHK'D: NMANE02 REV APPR: MRAMAKRISHNA		DIMENSION UNITS MM INCH		SCALE NTS		DOC TYPE PSD	DOC PART 001	SHEET NUMBER 3 OF 4	

# BOARD TO BOARD (BTB) DISTANCE

HEADER	MATES WITH (RECEPTACLE)	BTB DIST.	PICTORIAL VIEW
87831	79107	6.94	
	78787	6.94	
	79108	6.94	
	79109	7.15	
	78788	7.15	

THIS DRAWING CONTAINS INFORMATION THAT IS PROPRIETARY TO MOLEX ELECTRONIC TECHNOLOGIES, LLC AND SHOULD NOT BE USED WITHOUT WRITTEN PERMISSION									
DIMENSION UNITS		SCALE		CURRENT REV DESC: ADDED BTB DIST.				<b>molex</b>	
mm		NTS							
GENERAL TOLERANCES (UNLESS SPECIFIED)				EC NO: 619055		MGRID, SHROUDED HEADER		VERTICAL W/SLOT & STANDOFF	
		MM	INCH	DRWN: SCS02		2018/06/19			
4 PLACES		±	±	CHK'D: NMANE02		2019/07/09			
3 PLACES		±	±	APPR: MRAMAKRISHNA		2019/07/09		PRODUCT CUSTOMER DRAWING	
2 PLACES		± 0.2	±	INITIAL REVISION:				DOCUMENT NUMBER	
1 PLACE		±	±	DRWN: DRWN BY		XXXX/XX/XX		SD-87831-011	
0 PLACES		±	±	APPR: APPR BY		XXXX/XX/XX		PSD 001 C4	
ANGULAR TOL		± 3.0°						REVISION	
DRAFT WHERE APPLICABLE MUST REMAIN WITHIN DIMENSIONS				THIRD ANGLE PROJECTION		DRAWING		SERIES	
						A3-SIZE		87831	
						MATERIAL NUMBER		CUSTOMER	
								GENERAL MARKET	
								SHEET NUMBER	
								4 OF 4	