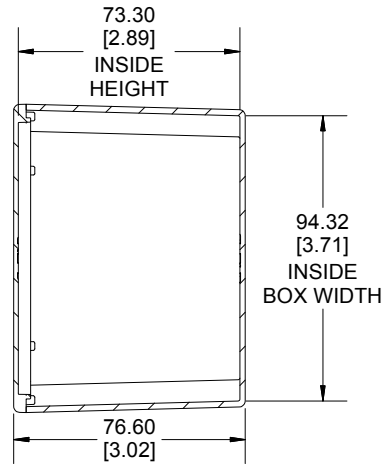
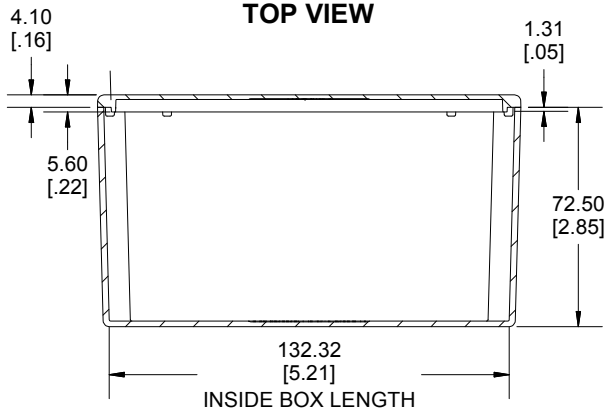
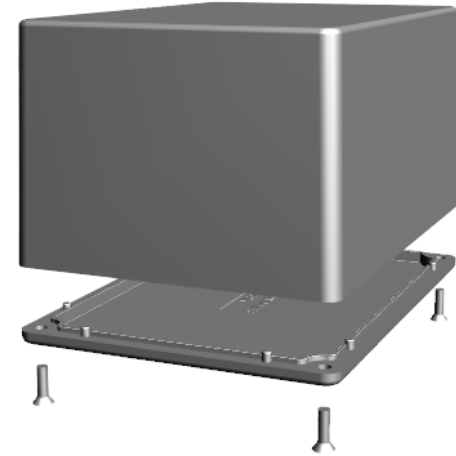


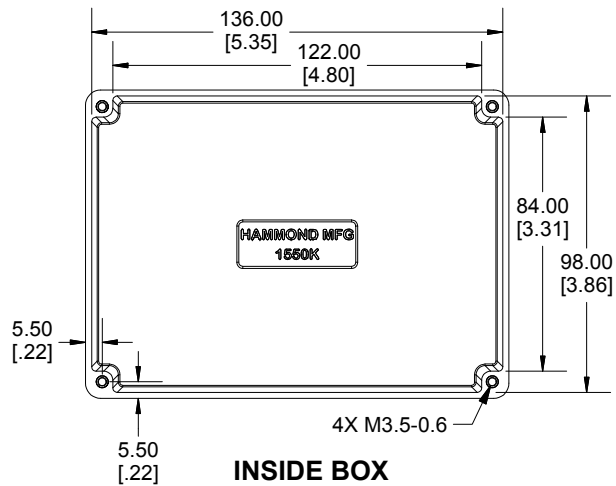
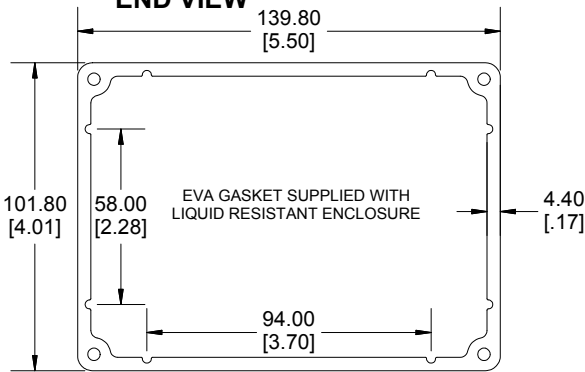
**TOP VIEW**



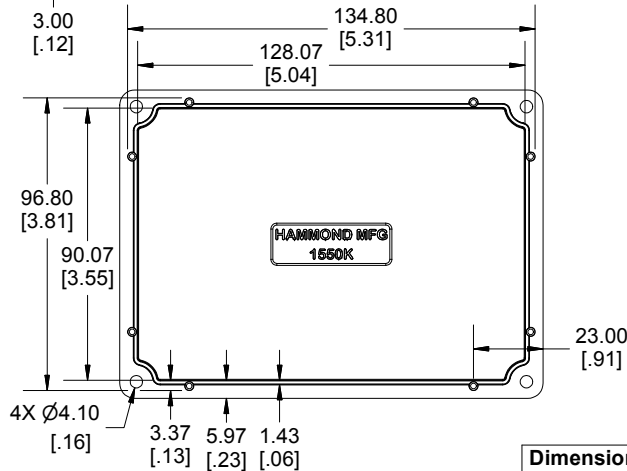
**SECTION A-A  
END VIEW**



**SECTION B-B  
SIDE VIEW**



**INSIDE BOX**



**INSIDE LID**

Enclosures can be Factory Modified ( Milling, Drilling, Printing etc.)  
Contact Factory [mjm@hammondmfg.com](mailto:mjm@hammondmfg.com) for quotes  
Solid models of this enclosure available in STEP or IGES.

**NOTE**

Purchased assembly includes box, lid and 4 cover screws.  
Box and lid are made from Diecast Aluminum Alloy.  
EVA Gasket supplied with liquid resistant enclosure.

**PART NUMBERS**

1550K Enclosure	
Natural Finish Enclosure	1550K
Black Textured Enclosure	1550KBK
1550K Liquid Resistant Enclosure (EVA Gasket)	
Natural Finish Enclosure	1550WK
Black Textured Enclosure	1550WKBK

**ACCESSORIES**

**Recommended Torque: 75 ozf.in / 55 cN.m**

**Standard Cover Screws**

Plated Cover Screws (Pkg 100) [M3.5-0.6 x 12mm]	1550MS100
Black Cover Screws (Pkg 100) [M3.5-0.6 x 12mm]	1550MS100BK

**Liquid Resistant Cover Screws and Gaskets**

Stainless Steel Cover Screws (Pkg 100) [M3.5 x 12mm, With O-Ring]	1550WMS100
Black Stainless Steel Cover Screws (Pkg 100) [M3.5 x 12mm, With O-Ring]	1550WMS100BK
EVA Pre-formed Gasket Black	1550KEGASKET
Silicone Pre-formed Gasket Black	1550KSGASKET

Dimensions:  
mm  
[inches]

