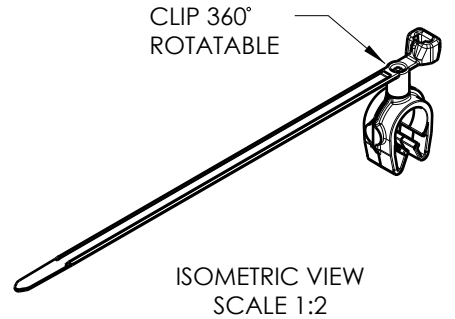
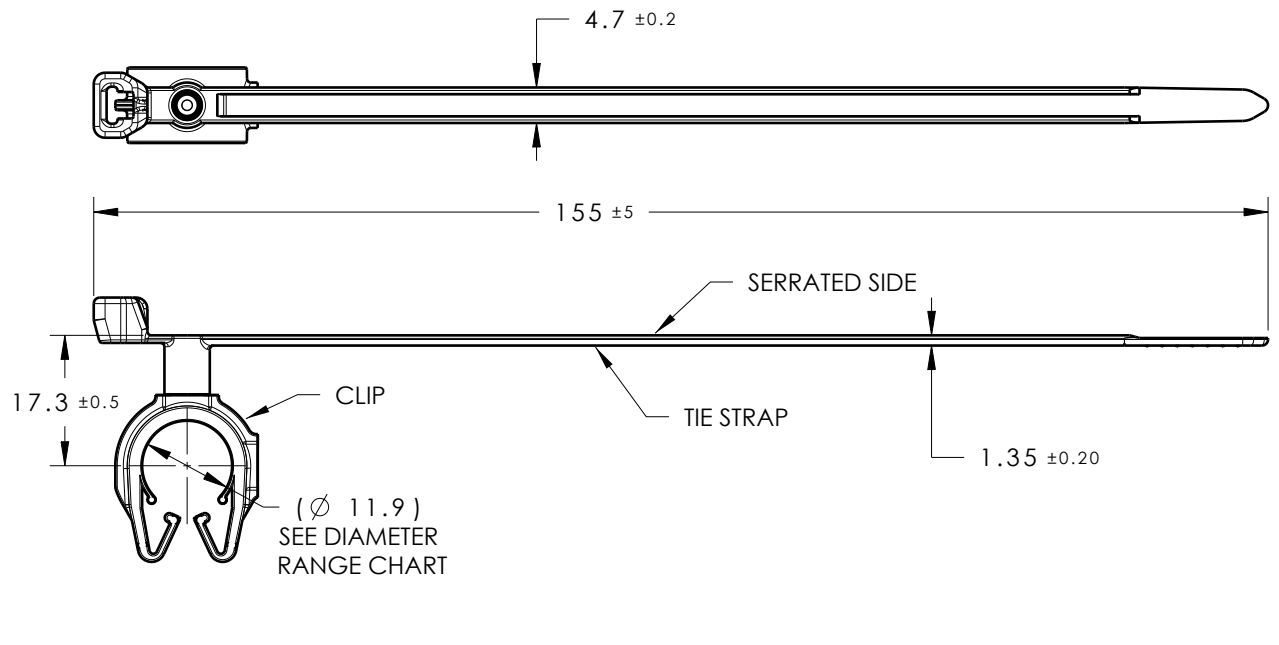


Revision Level			Revision Record	Changed	Date	Approved	Date
Drawing	State	Part					
00.2	Design Release		SEE ECN# 016769	JMC	11/17/21	EJH	11/17/21



TYPE	SUGGESTED DIAMETER RANGE*
HARNESS	11.5MM - 13.0MM
HOSE	10.5MM - 13.0MM
HARD PIPE/TUBE	12.0MM - 13.8MM

*RECOMMENDED SIZES MAY DIFFER DEPENDING ON THE APPLICATION, PRODUCT REQUIREMENTS AND MATERIALS USED

Patents: US D822,476 S,
EU 003864313,
CN 304373914 S



TYPE	BUNDLE RANGE	CABLE TIE			CLIP**		
		DRAWING	MATERIAL	COLOR	DRAWING	MATERIAL	COLOR
T50SVCMOC12M180	2 TO 50	14-0606-011-CSU	PA66HIRHSUV	BLACK	16-0319-000-CSU	PA66HIRHSUV	BLACK

Material
SEE CHART
COLOR: SEE CHART

Units **millimeters**

Tolerance defined on each dimension

The copyright of this drawing is reserved by HellermannTyton. It is issued on condition that it is not reproduced, copied or disclosed to a third party, either wholly or in part, without the consent of HellermannTyton.

Drawn TAT 6/21/17
Approved EJH 6/26/17

HellermannTyton

North America
Email: corp@htamericas.com
Web: www.hellermann.tyton.com

Article/Type-No SEE CHART
Title T50SVC TIE STRAP COUPLED TO 12MM MODULAR OMEGA CLIP
Drawing-No PRODUCTION : Phase
16-0319-206-CSU

Scale 1:1
Project Number 16-0319
Format AH
Sheet 1/1