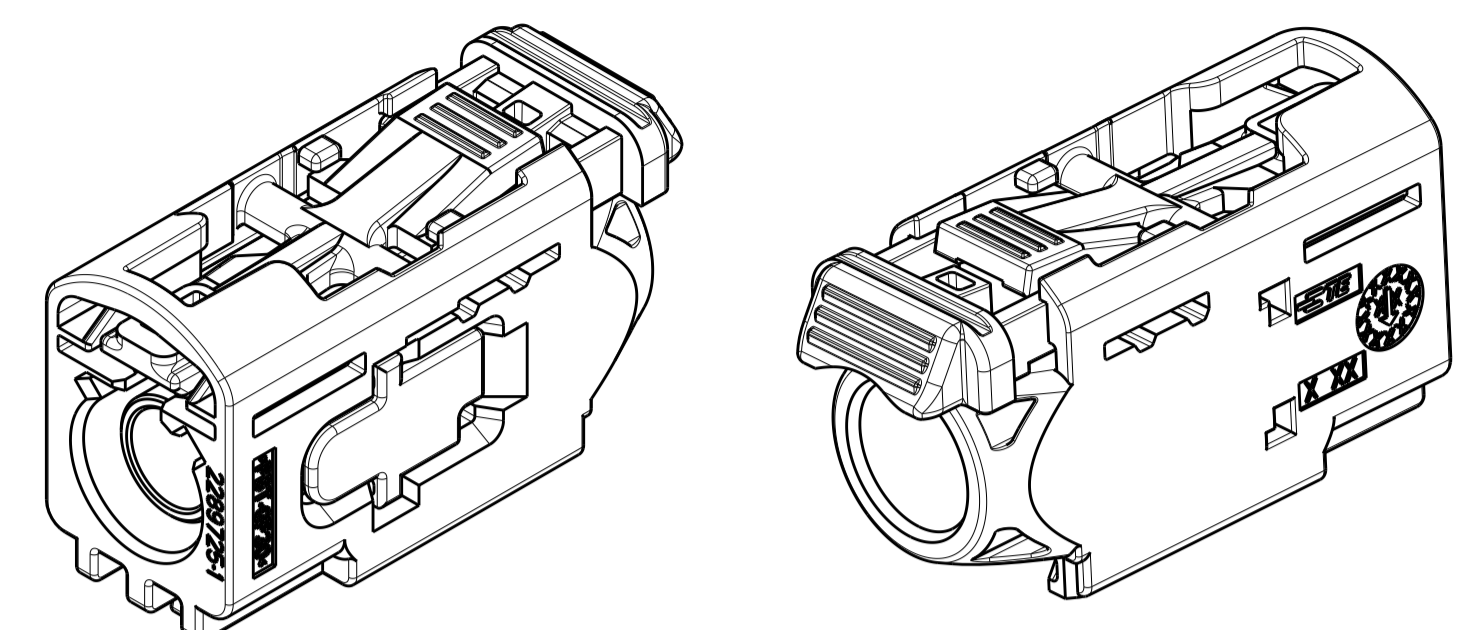
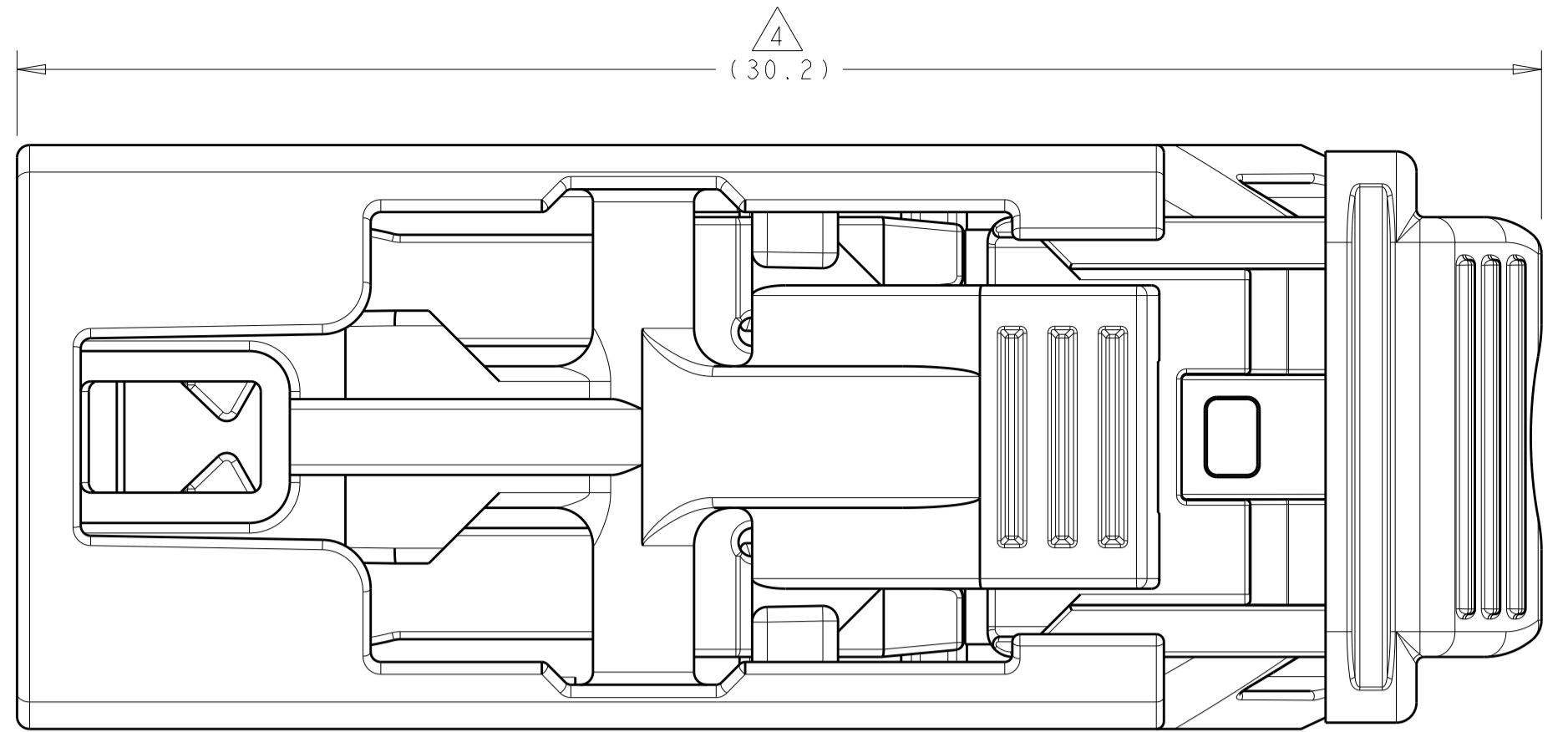
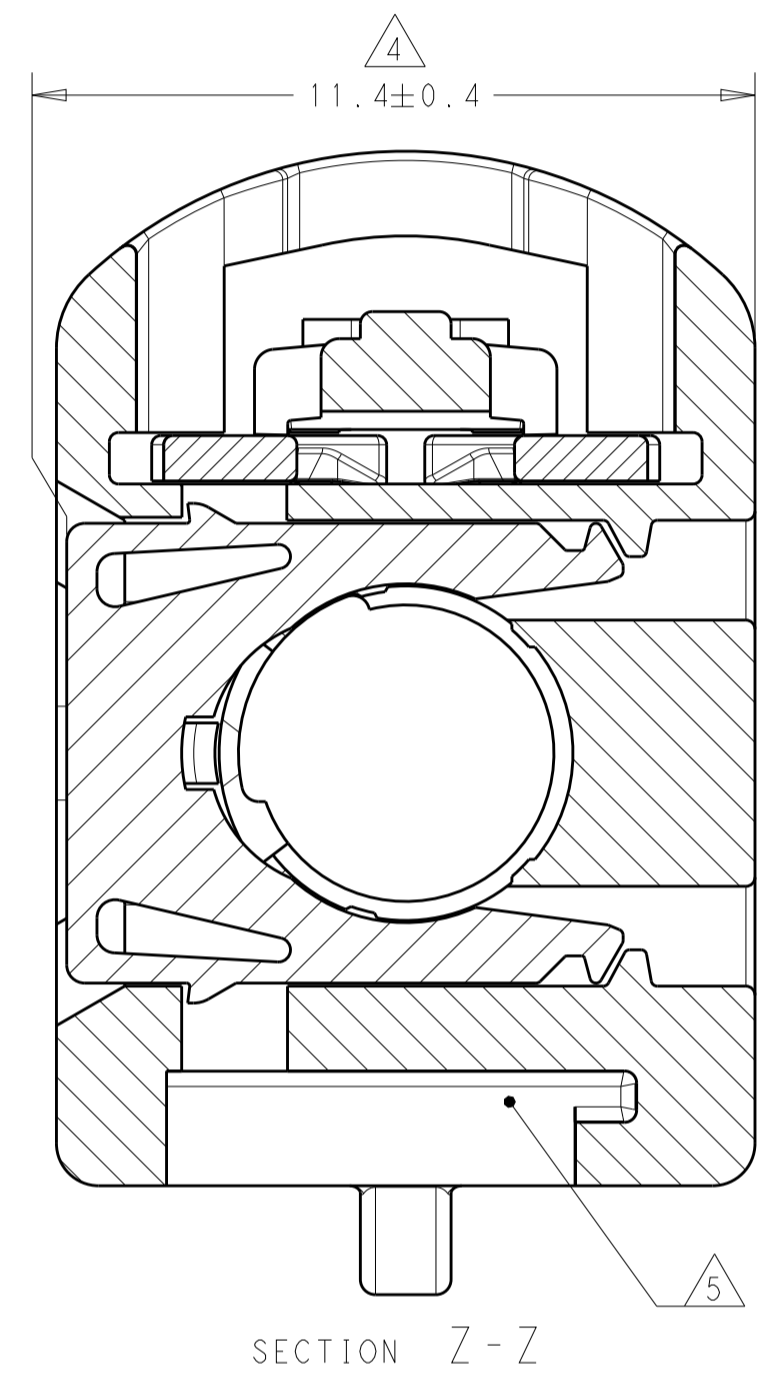
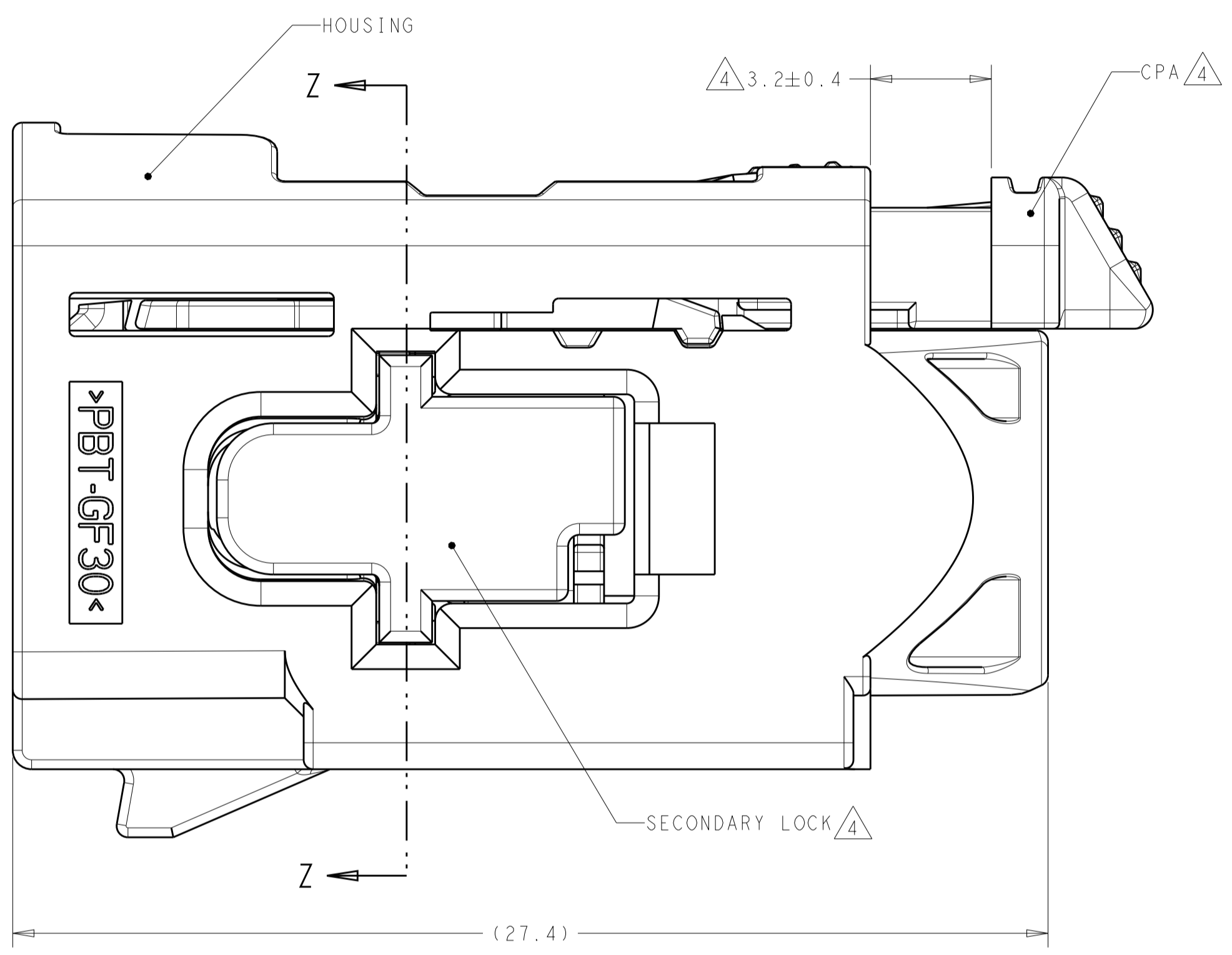
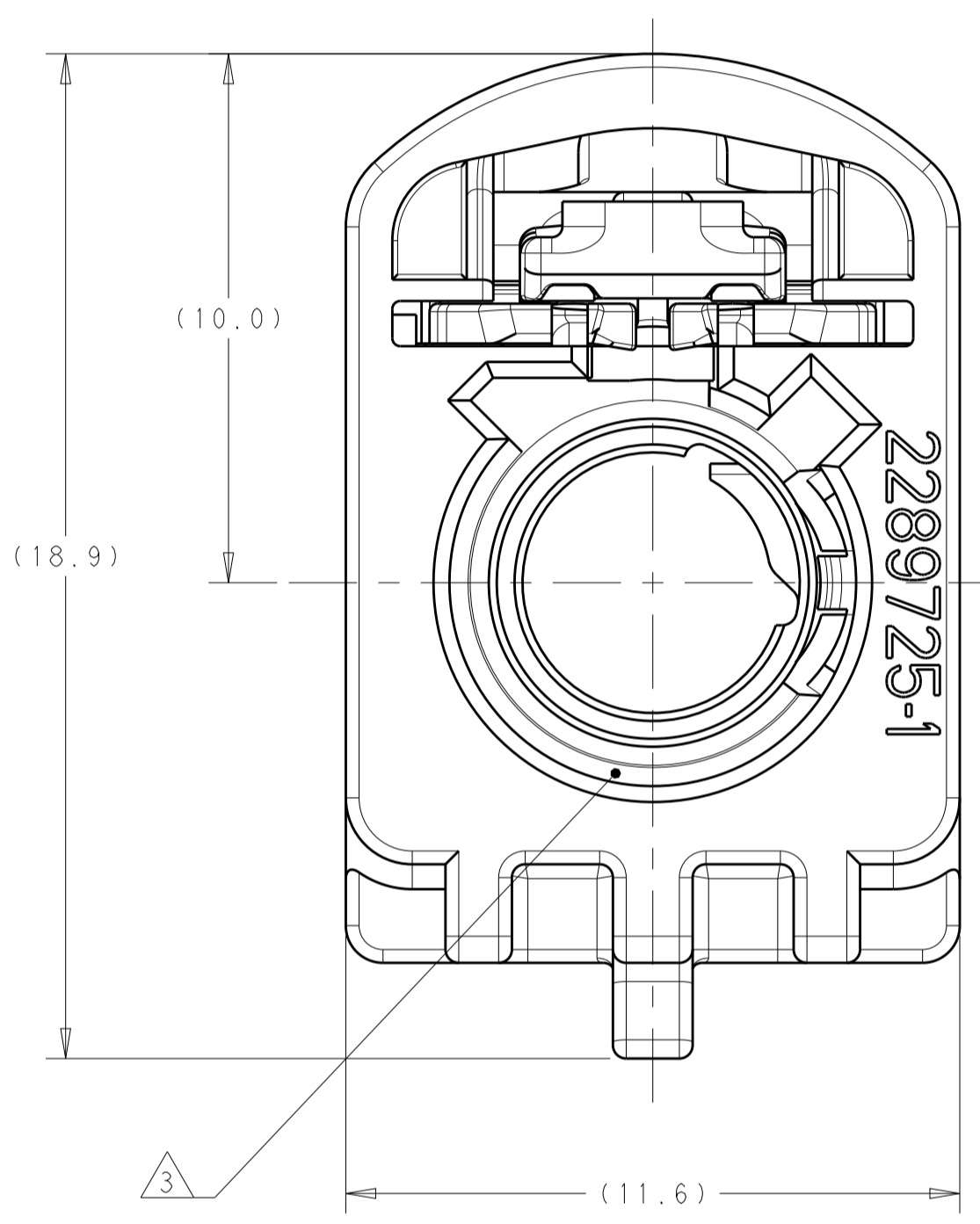


REVISIONS				
P.	LTN	DESCRIPTION	DATE	APP'D
A		RELEASED PER ECO-19-002122	11FEB2019	NLE JWH



ISOMETRIC VIEWS
SCALE 3:1



2289730-1 AS SHOWN

- ① HOUSING - POLYESTER PBT, COLOR: SEE TABLE, GLASS FILLED
 CPA - POLYESTER PBT, TRAFFIC RED, GLASS FILLED
 SECONDARY LOCK - POLYESTER PBT, WATER BLUE, GLASS FILLED
- ② CABLE ASSEMBLY: SEE TABLE.
- ③ FEMALE INTERFACE PER ISO-20860-1, ISO-20860-2, SAE/USCAR-17, SAE/USCAR-18.
- ④ SECONDARY LOCK AND CPA IN PRESET POSITION. IF SECONDARY LOCK IS IN FULLY LOCKED POSITION, SEE 408-162008 FOR INSTRUCTIONS TO RESET SECONDARY LOCK TO PRESET POSITION.
- ⑤ CLIP SLOT PER SAE/USCAR-18, EWCAP-005-7.

CPA	CABLE ASSEMBLY QTY=1	CODING REF	KEYING	CODING COLOR	PART NUMBER	
WITHOUT CPA	2203275 (SOLD SEPARATELY) SEE SHEET 2	Z	PER DETAIL Z	WATER BLUE	4-2289730-0	
		N	PER DETAIL N	PASTEL GREEN	3-2289730-3	
		M	PER DETAIL M	PASTEL ORANGE	3-2289730-2	
		L	PER DETAIL L	CARMINE RED	3-2289730-1	
		K	PER DETAIL K	CURRY	3-2289730-0	
		I	PER DETAIL I	BEIGE	2-2289730-9	
		H	PER DETAIL H	HEATHER VIOLET	2-2289730-8	
		G	PER DETAIL G	BLUE GREY	2-2289730-7	
		F	PER DETAIL F	NUT BROWN	2-2289730-6	
		E	PER DETAIL E	LEAF GREEN	2-2289730-5	
		D	PER DETAIL D	CLARET VIOLET	2-2289730-4	
		C	PER DETAIL C	SIGNAL BLUE	2-2289730-3	
		B	PER DETAIL B	CREAM	2-2289730-2	
		A	PER DETAIL A	JET BLACK	2-2289730-1	
		WITH CPA	Z	PER DETAIL Z	WATER BLUE	2-2289730-0
			N	PER DETAIL N	PASTEL GREEN	1-2289730-3
			M	PER DETAIL M	PASTEL ORANGE	1-2289730-2
			L	PER DETAIL L	CARMINE RED	1-2289730-1
			K	PER DETAIL K	CURRY	1-2289730-0
I	PER DETAIL I		BEIGE	2289730-9		
H	PER DETAIL H		HEATHER VIOLET	2289730-8		
G	PER DETAIL G		BLUE GREY	2289730-7		
F	PER DETAIL F		NUT BROWN	2289730-6		
E	PER DETAIL E		LEAF GREEN	2289730-5		

THIS DRAWING IS A CONTROLLED DOCUMENT. DWN: D. J. HARDY 14APR2015
 CHK: D. J. HARDY 14APR2015
 APVD: D. J. HARDY 14APR2015

TE TE Connectivity

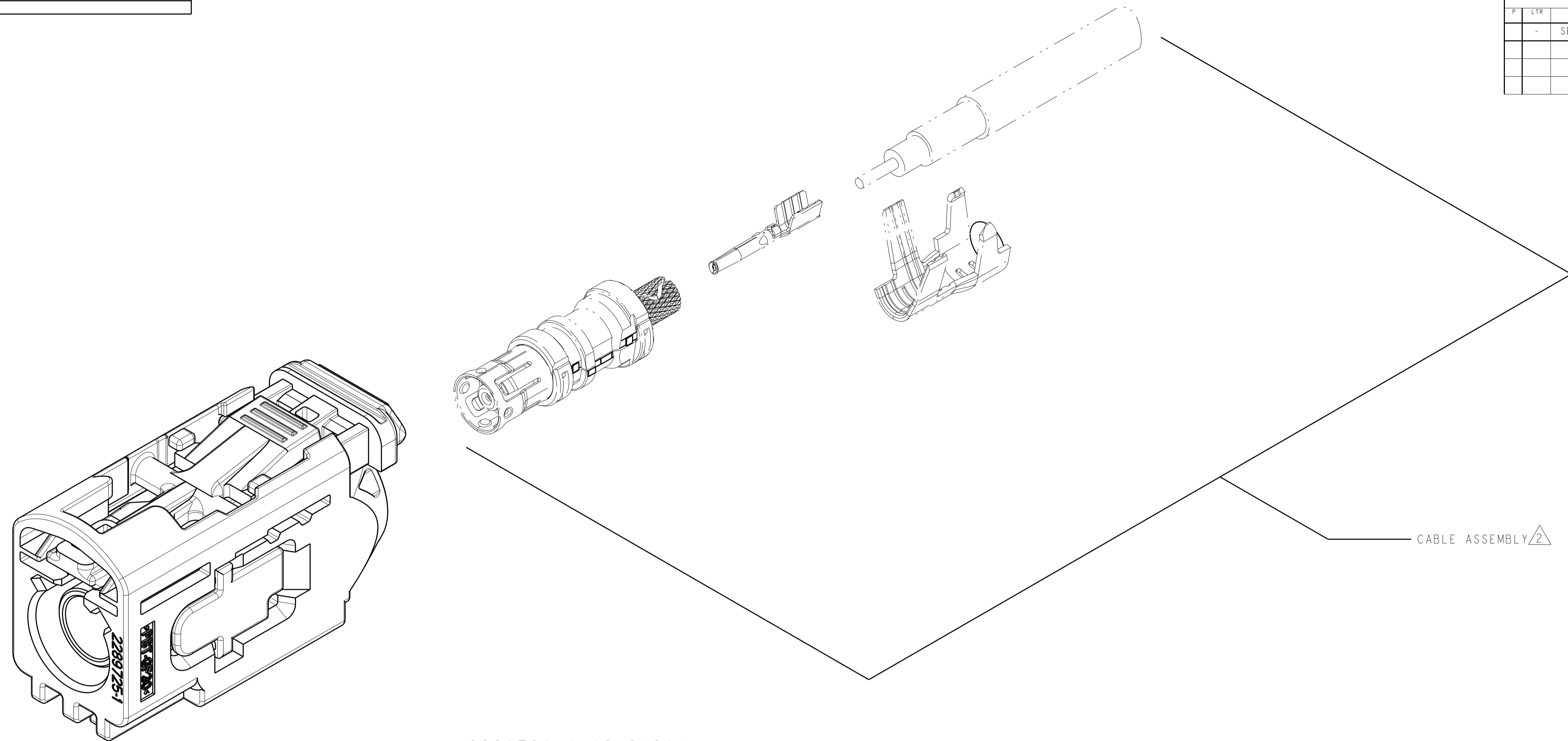
NAME: FEMALE KIT, CPA, CLIP SLOT, 1 POSITION, FAKRA AUTOMATED

PRODUCT SPEC: 108-32137
 APPLICATION SPEC: 114-32145

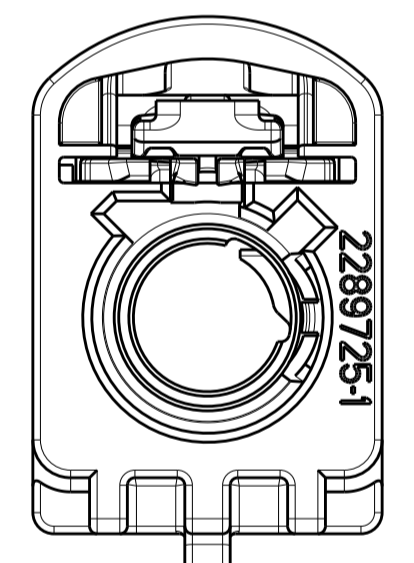
SIZE: A1 CAGE CODE: - DRAWING NO: - RESTRICTED TO: -
 WEIGHT: -
 RESTRICTED CUSTOMER

SCALE: 8:1 SHEET 1 OF 2 REV A

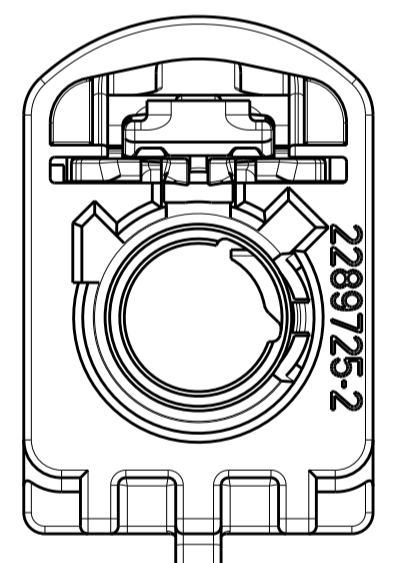
REVISIONS				
P.	LTN	DESCRIPTION	DATE	APVD
-	-	SEE SHEET 1	-	-



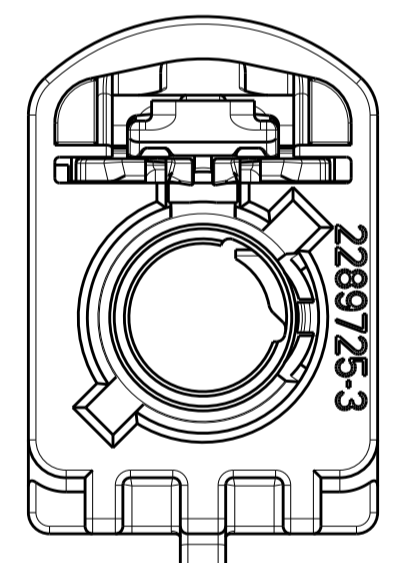
2289730-1 AS SHOWN
SCALE 5:1



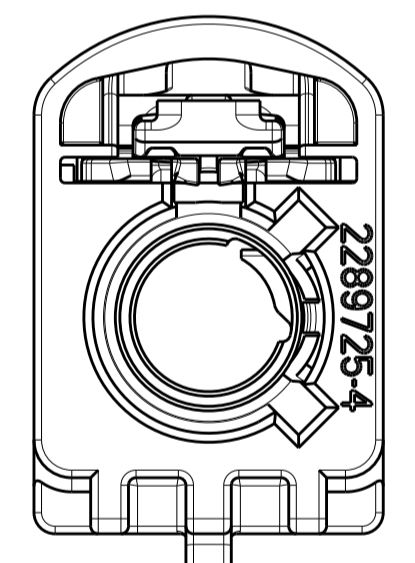
DETAIL A
SCALE 4:1



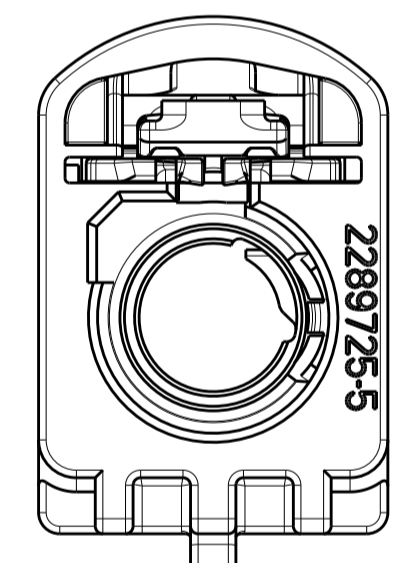
DETAIL B
SCALE 4:1



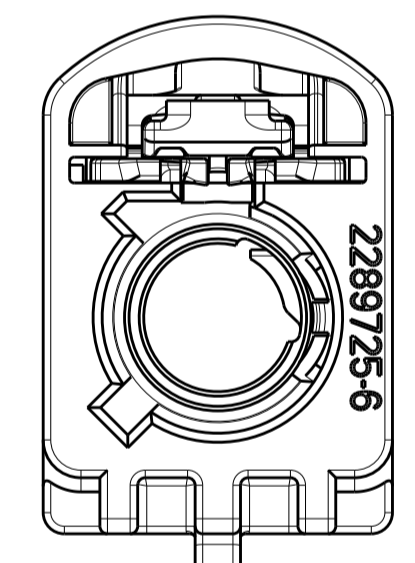
DETAIL C
SCALE 4:1



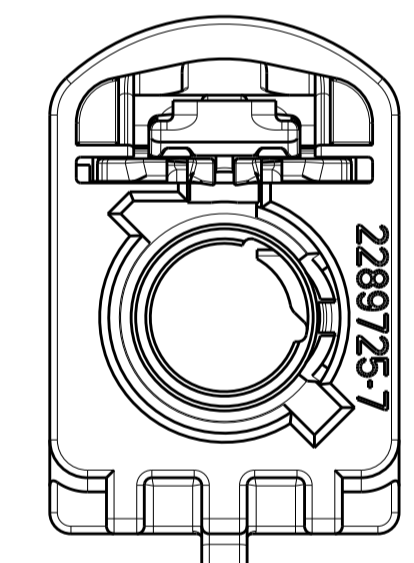
DETAIL D
SCALE 4:1



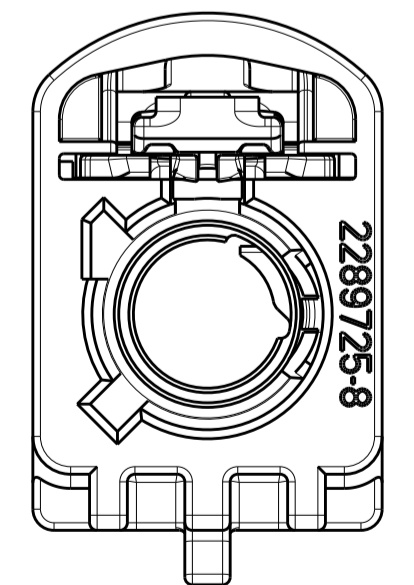
DETAIL E
SCALE 4:1



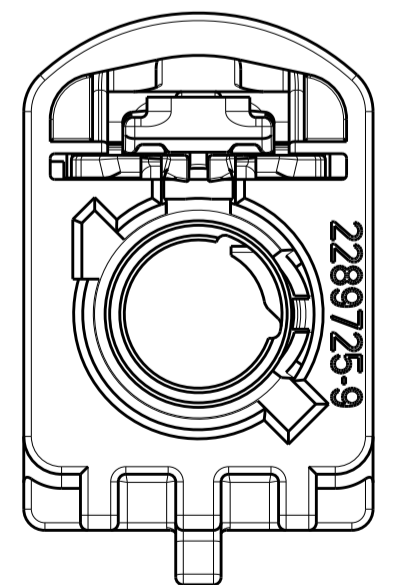
DETAIL F
SCALE 4:1



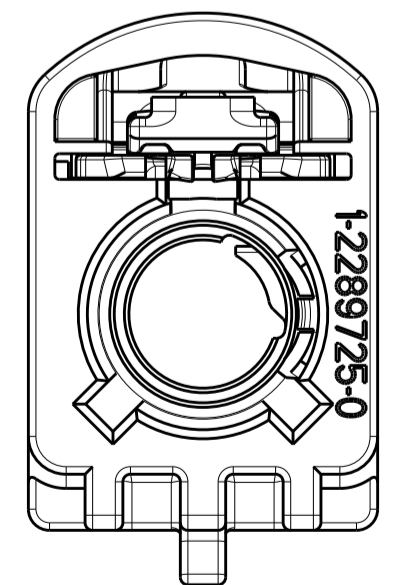
DETAIL G
SCALE 4:1



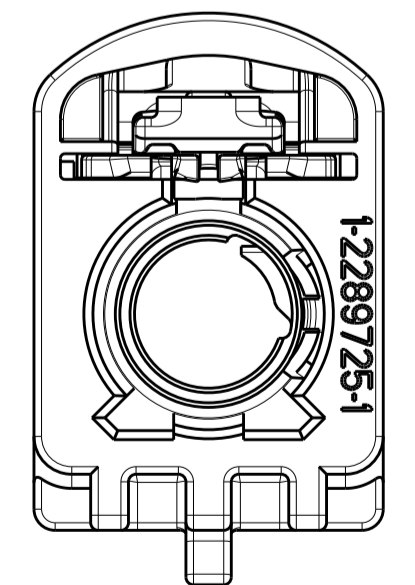
DETAIL H
SCALE 4:1



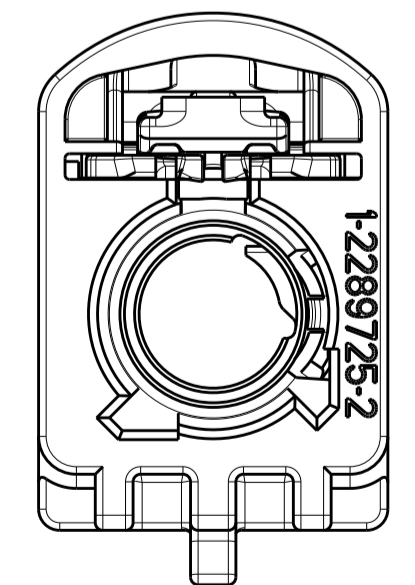
DETAIL I
SCALE 4:1



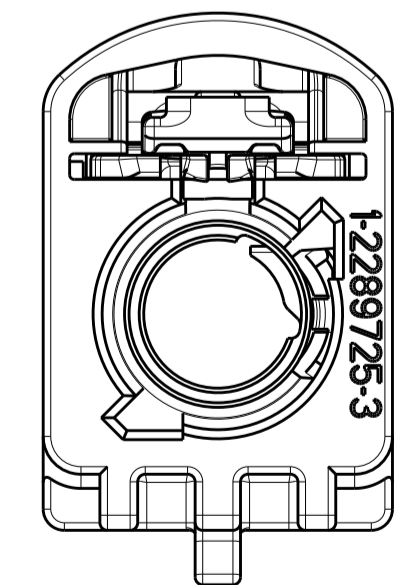
DETAIL K
SCALE 4:1



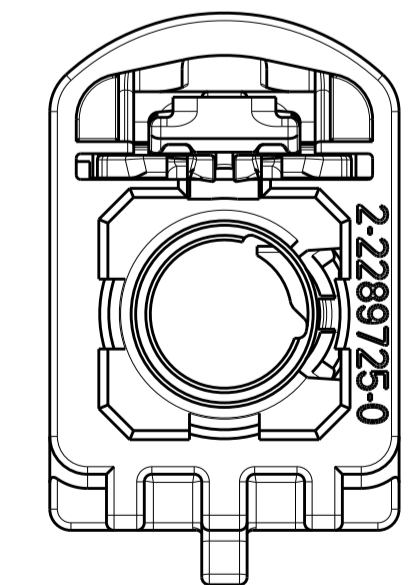
DETAIL L
SCALE 4:1



DETAIL M
SCALE 4:1



DETAIL N
SCALE 4:1



DETAIL Z
SCALE 4:1

THIS DRAWING IS A CONTROLLED DOCUMENT.		OWN: D. J. HARDY 14APR2015	
DIMENSIONS:		CHK: D. J. HARDY 14APR2015	
TOLERANCES UNLESS OTHERWISE SPECIFIED:		APVD: D. J. HARDY 14APR2015	
mm		NAME: FEMALE KIT, CPA, CLIP SLOT, 1 POSITION, FAKRA AUTOMATED	
0 PLC	±	PRODUCT SPEC	RESTRICTED TO
1 PLC	±	108-32137	SIZE: A1
2 PLC	±	APPLICATION SPEC	CAGE CODE: -
3 PLC	±	114-32145	DRAWING NO: C=2289730
4 PLC	±	WEIGHT: -	SCALE: 5:1
ANGLES	±	RESTRICTED CUSTOMER	SHEET 2 OF 2
FINISH	-		REV A