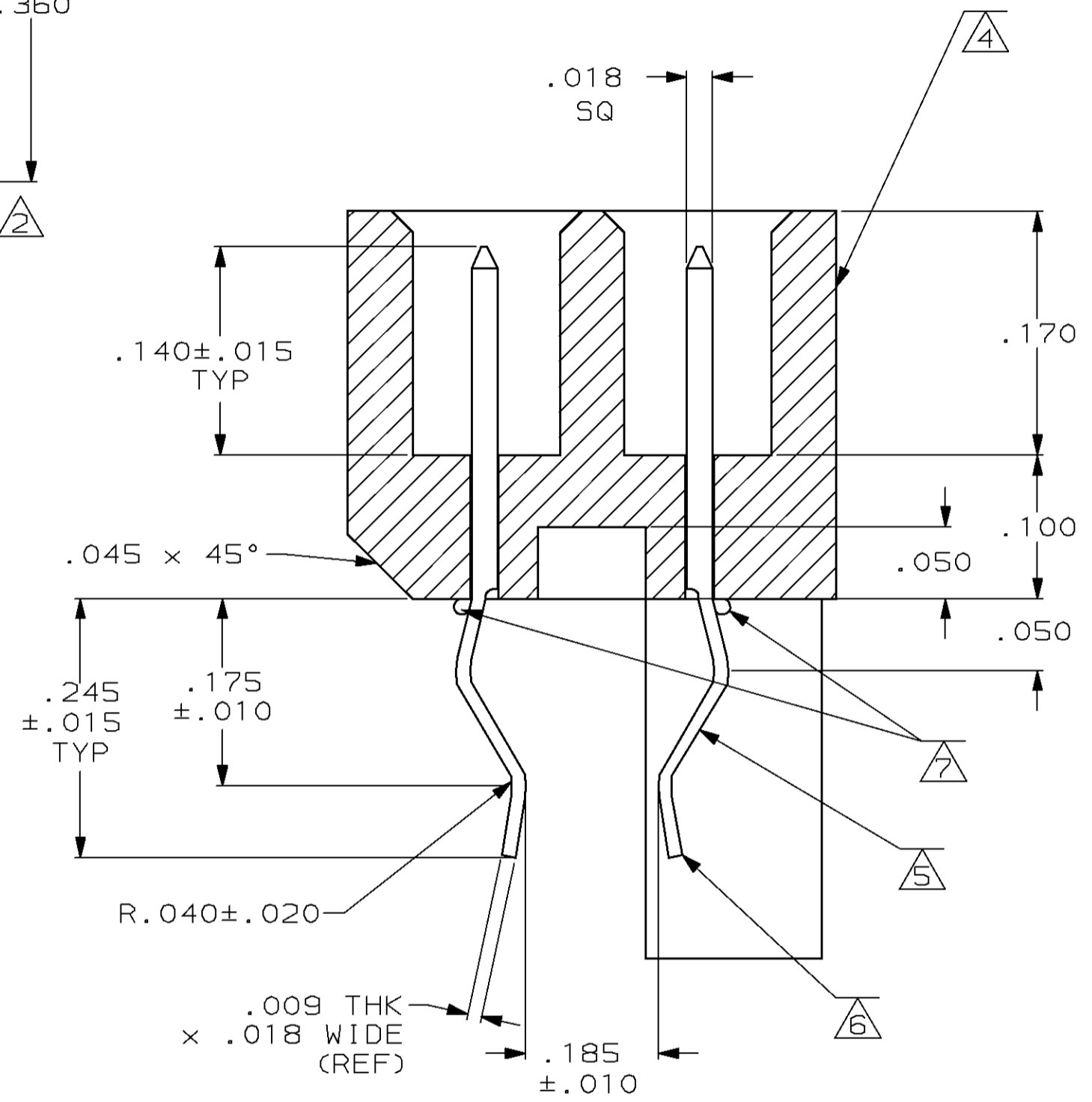
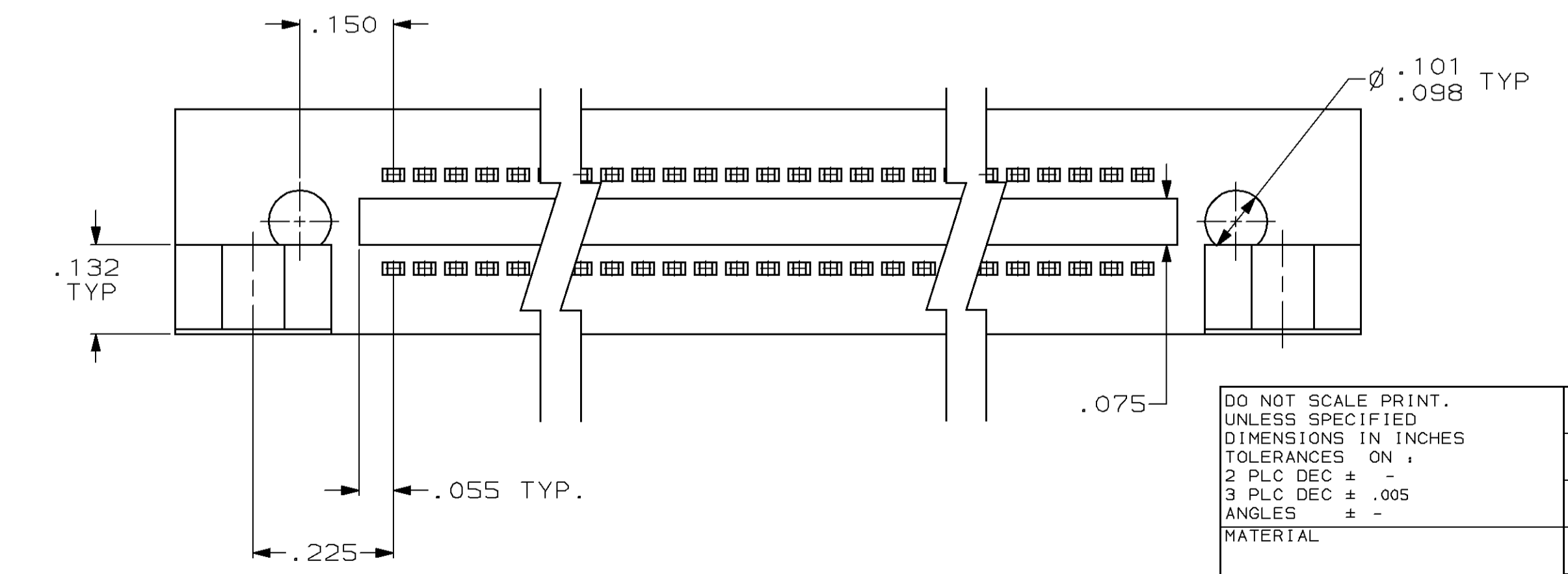
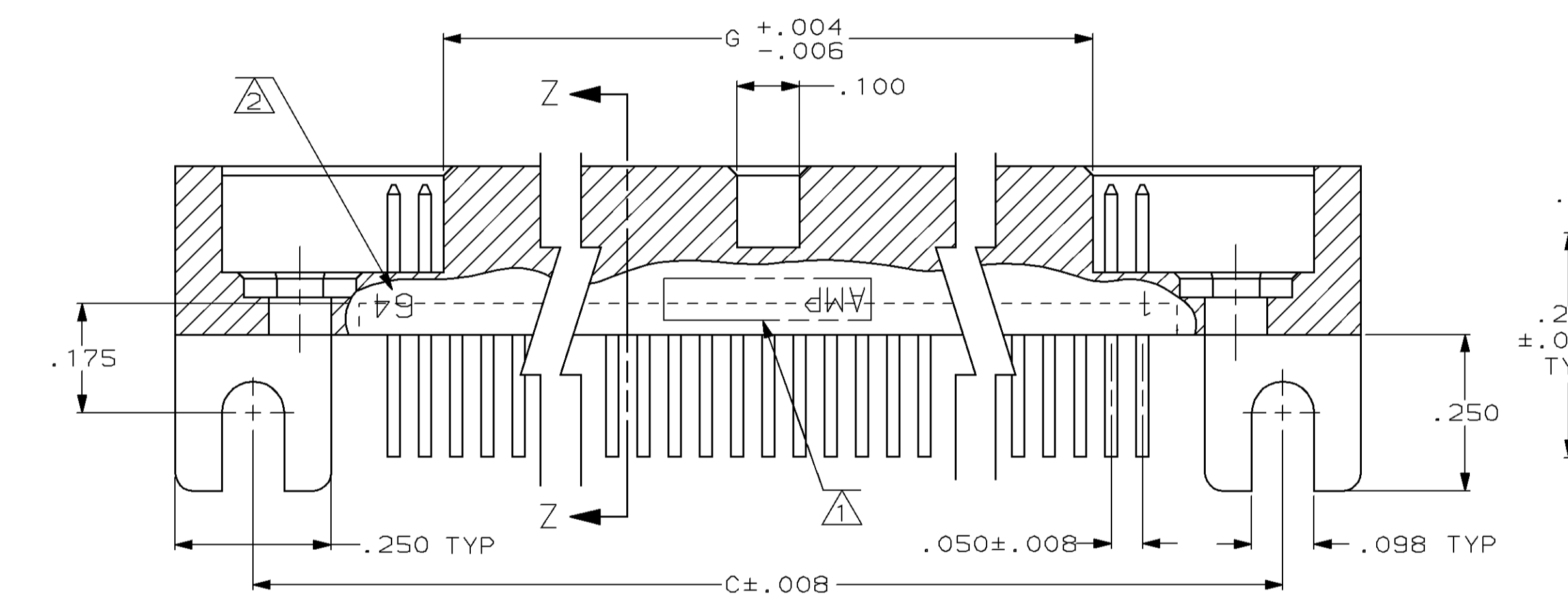
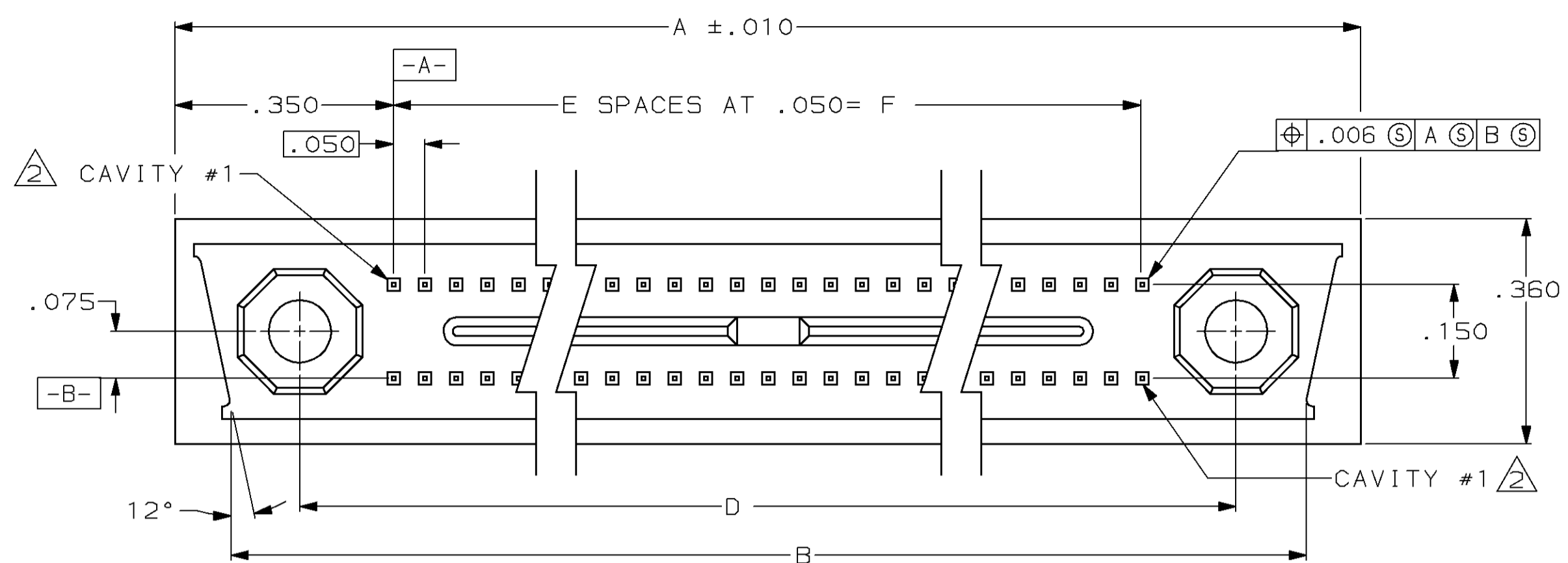


PROD CODE	LOC	DIST	P	F	REVISIONS				
					ZONE	LTR	DESCRIPTION	DATE	APPD
5367	DF	FO			F	REV PER	0600-6348-97	CT	DG
								9-97	



DO NOT SCALE PRINT. UNLESS SPECIFIED DIMENSIONS IN INCHES TOLERANCES ON:
 2 PLC DEC ± -
 3 PLC DEC ± .005
 ANGLES ± -
 MATERIAL SEE SHEET 2
 FINISH SEE SHEET 2

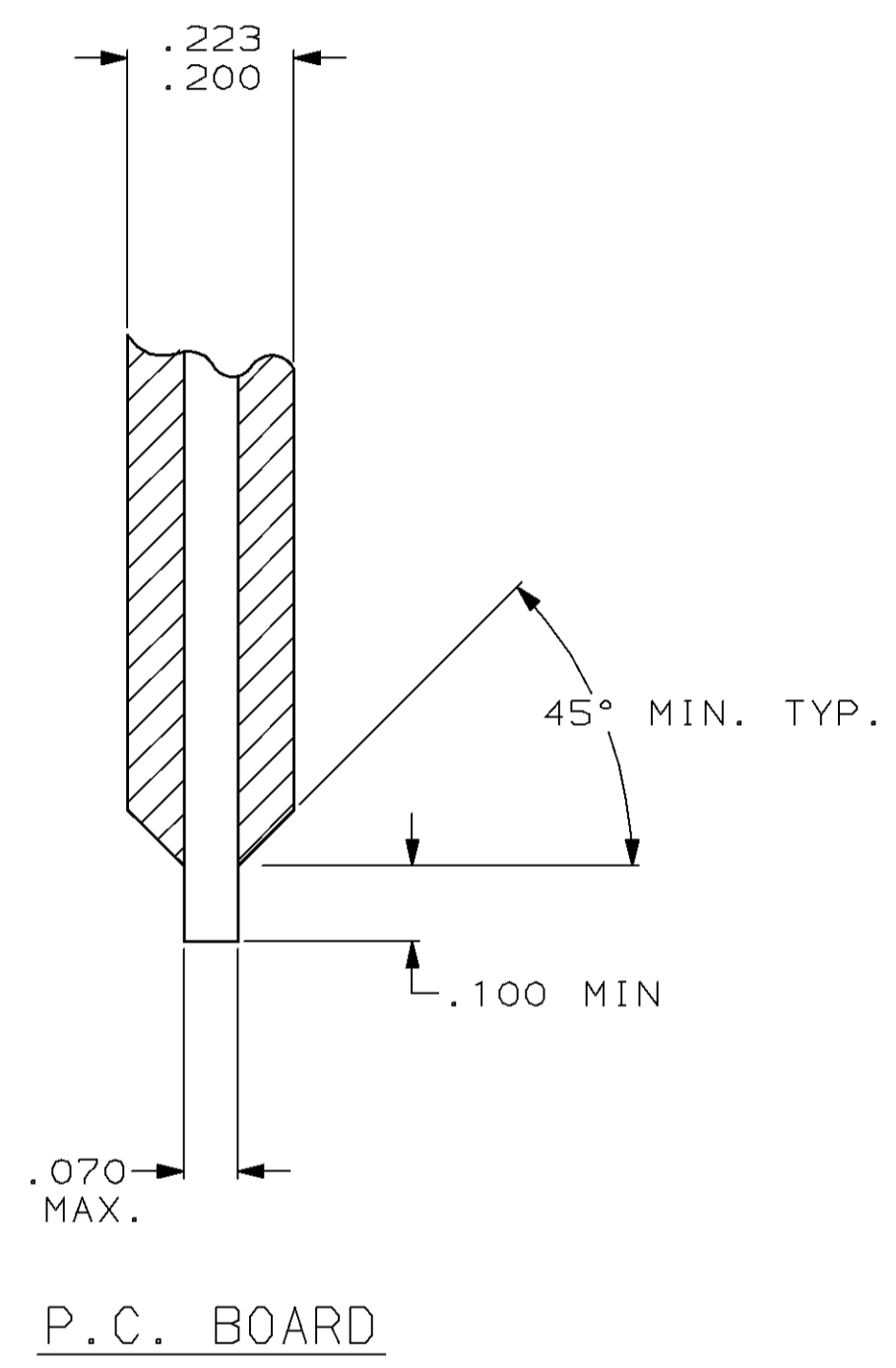
DR 6-14-89 T.WIEST	AMP INCORPORATED Harrisburg, Pa. 17105
CHK 8-16-89 D.STONER	
APPD 8-16-89 D.STONER	NAME
APPD 8-16-89 D.STONER	PIN HEADER ASSY, MINI BOX, SHROUDED, CARD EXTENDER, FOR .200-.223 THK. PCB
PRODUCT SPEC	SIZE
APPLICATION SPEC	FSCM NO C 00779
WEIGHT -	DRAWING NO 445500
	SCALE 4:1
	SHEET 1 of 2

AMP INCORPORATED Harrisburg, Pa. 17105	
NAME PIN HEADER ASSY, MINI BOX, SHROUDED, CARD EXTENDER, FOR .200-.223 THK. PCB	
SIZE	FSCM NO
C 00779	DRAWING NO
	445500
SCALE 4:1	SHEET 1 of 2

THIS DRAWING IS UNPUBLISHED. RELEASED FOR PUBLICATION, 19 .
 © COPYRIGHT 19 BY AMP INCORPORATED. ALL INTERNATIONAL RIGHTS RESERVED.

Loc	DIST	P	F	ZONE	LTR	DESCRIPTION	DATE	APPD
DF	FO				F	SEE SHEET ONE	-	-

- ① "AMP", AMP PART NUMBER, AND DATE CODE MARKED IN THIS AREA.
- ② NUMBERS INDICATING END POSITIONS MARKED THIS SIDE 64 AND 1, OPPOSITE SIDE 1 & 64.
- 3. INSPECTED PER MIL-C-55302, GROUPS A AND B.
- ④ HOUSING MATERIAL: LIQUID CRYSTAL POLYMER PER MIL-M-24519, GLCP-30F; COLOR: GRAY.
- ⑤ CONTACT MATERIAL: BRASS
- ⑥ CONTACT FINISH: .000050 GOLD IN CONTACT AREA, NICKEL UNDERPLATE ALL OVER, TAILS DIPPED BY AMP FOR SOLDERING.
- ⑦ EPOXY ADDED TO BOTTOM WHERE CONTACT TAILS EXIT FROM THE HOUSING.



717801112-005	④	1-64	2.990	3.150	63	3.450	3.600	3.670	3.850	128	-1
CUSTOMER P/N	HSG MAT'L	②	G	F	E	D	C	B	A	NO. OF POSN	PART NO
DO NOT SCALE PRINT. UNLESS SPECIFIED DIMENSIONS IN INCHES TOLERANCES ON:			DR 6-14-89 T. WIEST			AMP INCORPORATED Harrisburg, Pa. 17105					
2 PLC DEC ± -			CHK 8-16-89 D. STONER								
3 PLC DEC ± .005			APPD 8-16-89 D. STONER			NAME PIN HEADER ASSY' MINI-BOX, SHROUDED, CARD EXTENDER, FOR .200-.223 THK PCB					
ANGLES ± -			APPD 8-16-89 D. STONER								
MATERIAL SEE NOTES			PRODUCT SPEC -			SIZE C FSCM NO 00779 DRAWING NO 445500					
FINISH SEE NOTES			APPLICATION SPEC -								
			WEIGHT -			SCALE 4:1		SHEET 2 of 2			