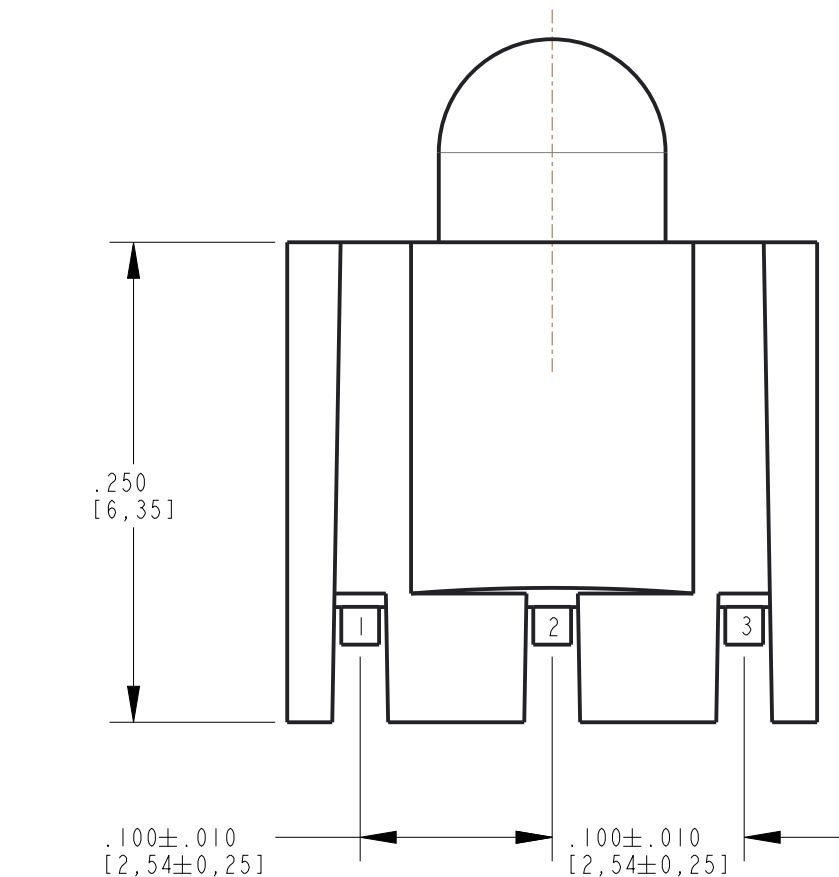
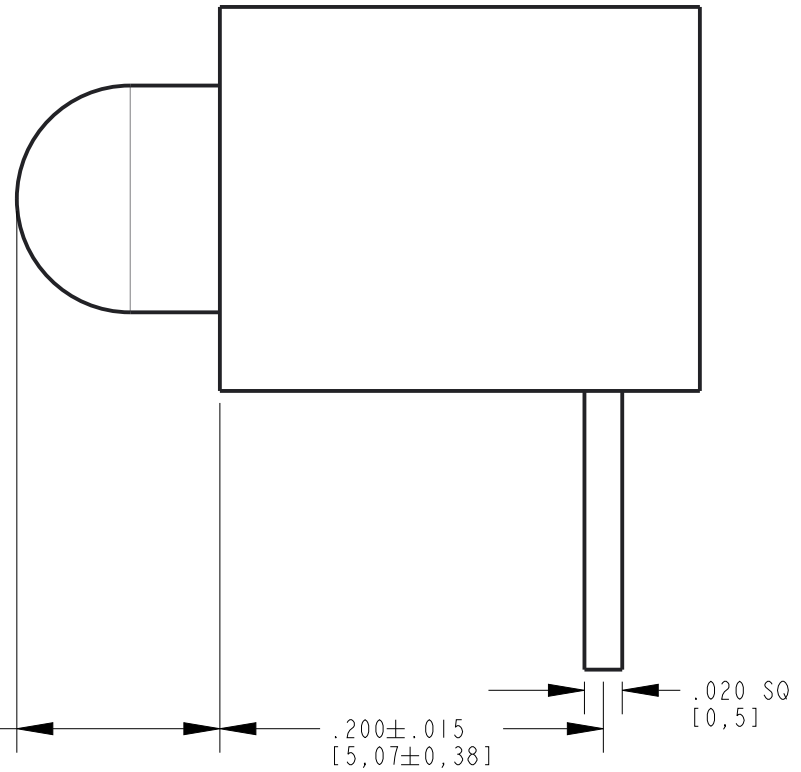


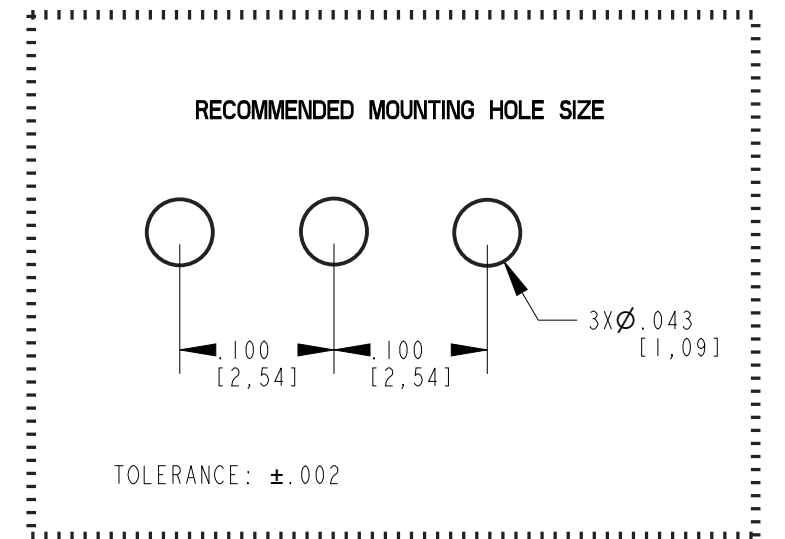
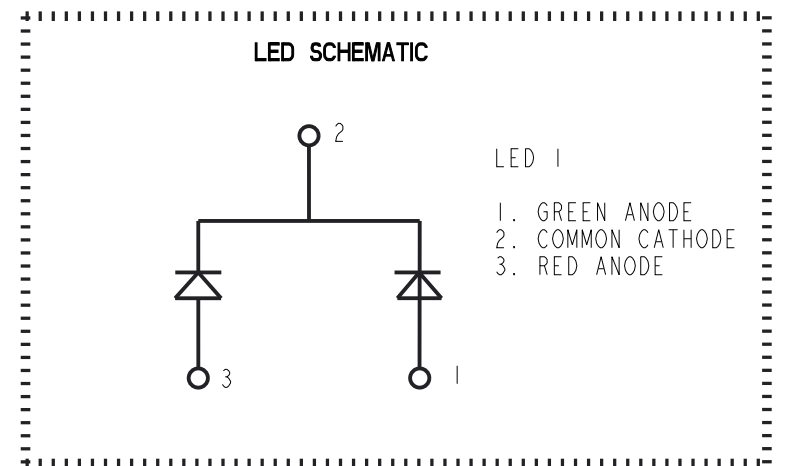
NOTES:
 1. DIALIGHT PART NUMBER: 551-3513F
 2. CENTER TO CENTER LEAD DIMENSIONS MEASURED AT HOUSING EXIT.
 3. THIS ASSEMBLY CONTAINS ELECTROSTATIC DISCHARGE SENSITIVE DEVICES (ESDS). MAINTAIN ALL PRECAUTIONARY MEASURES DURING ASSEMBLY, HANDLING, AND STORAGE IN ACCORDANCE WITH IPC-A-610.



ABSOLUTE MAXIMUM RATINGS AT TA=25 C			
PARAMETER	GREEN	RED	UNIT
POWER DISSIPATION	78	78	mW
PEAAK FORWARD CURRENT (DUTY CYCLE < 1/10, PULSE WIDTH < 10ms)	90	90	mA
DC FORWARD CURRENT	30	30	mA
OPERATING TEMPERATURE RANGE	-30° C TO +85° C		
STORAGE TEMPERATURE RANGE	-40° C TO +100° C		
LEAD SOLDERING TEMPERATURE [2.0mm(.079") FROM BODY]	260° C FOR 5 SECONDS MAX.		

ELECTRICAL/OPTICAL CHARACTERISTICS AT TA=25 C							
PARAMETER	SYMBOL	COLOR	MIN.	TYP.	MAX.	UNIT	TEST CONDITION
RADIANT INTENSITY	I _v	RED	29	50	100	mcd	IF=20mA
		GREEN	29	50	100		
VIEWING ANGLE		RED				deg	
		GREEN		75			
PEAK EMISSION WAVELENGTH		RED		630		nm	
		GREEN		565			
DOMINANT WAVELENGTH		RED	615	625	634	nm	
		GREEN	565	573	578		
SPECTRAL LINE HALF-WIDTH		RED		40		nm	
		GREEN		30			
FORWARD VOLTAGE	VF	RED		2.0	2.6	V	IF=20mA
		GREEN		2.1	2.6		
REVERSE CURRENT	IR	RED			100		VR=5V
		GREEN					

REV	REVISIONS	DRN	CKD	DATE
A	NEW RELEASE	LD	NO	1-4-22
B	POWER DISSIPATION WAS 100, PEAK FORWARD CURRENT WAS 120 TYP INTENSITY WAS 19, & MIN INTENSITY WAS 12.6	LD	NO	4-12-22
C	ADDED .250 & .020 SQ DIM	LD	NO	5-25-22



THIS DRAWING AND THE CONTENTS HEREIN ARE CONFIDENTIAL AND THE SOLE PROPERTY OF DIALIGHT CORP. REPRODUCTION OF THIS DRAWING OR CONSTRUCTION OF ANY PARTS WITHIN THIS DRAWING ARE FORBIDDEN WITHOUT THE WRITTEN CONSENT OF DIALIGHT CORP.

DIALIGHT CORP INTERNAL REFERENCE ONLY = 3D MODEL : 5513513F-A.8

SCALE: 3.000	DRAWING NUMBER	REV
ALL DIM'S: INCH (mm)	C-18547	C
TOLERANCES: UNLESS OTHERWISE SPECIFIED	TITLE	
FRACTIONS: ±1/64	3MM CBI .100" CL R/G 3 LEADS	
DECIMALS (.XX): ±.01	MATERIAL	SEE BOM
DECIMALS (.XXX): ±.005		
DECIMALS (.XXXX): ±.0005		
ANGLES: ±1°		
FINISH		
FSCM 83330	Dialight	1501 ROUTE 34 SOUTH FARMINGDALE, NJ 07727 (732) 919-3119 www.dialight.com
	SHEET 1 OF 1	FAMILY TABLE: