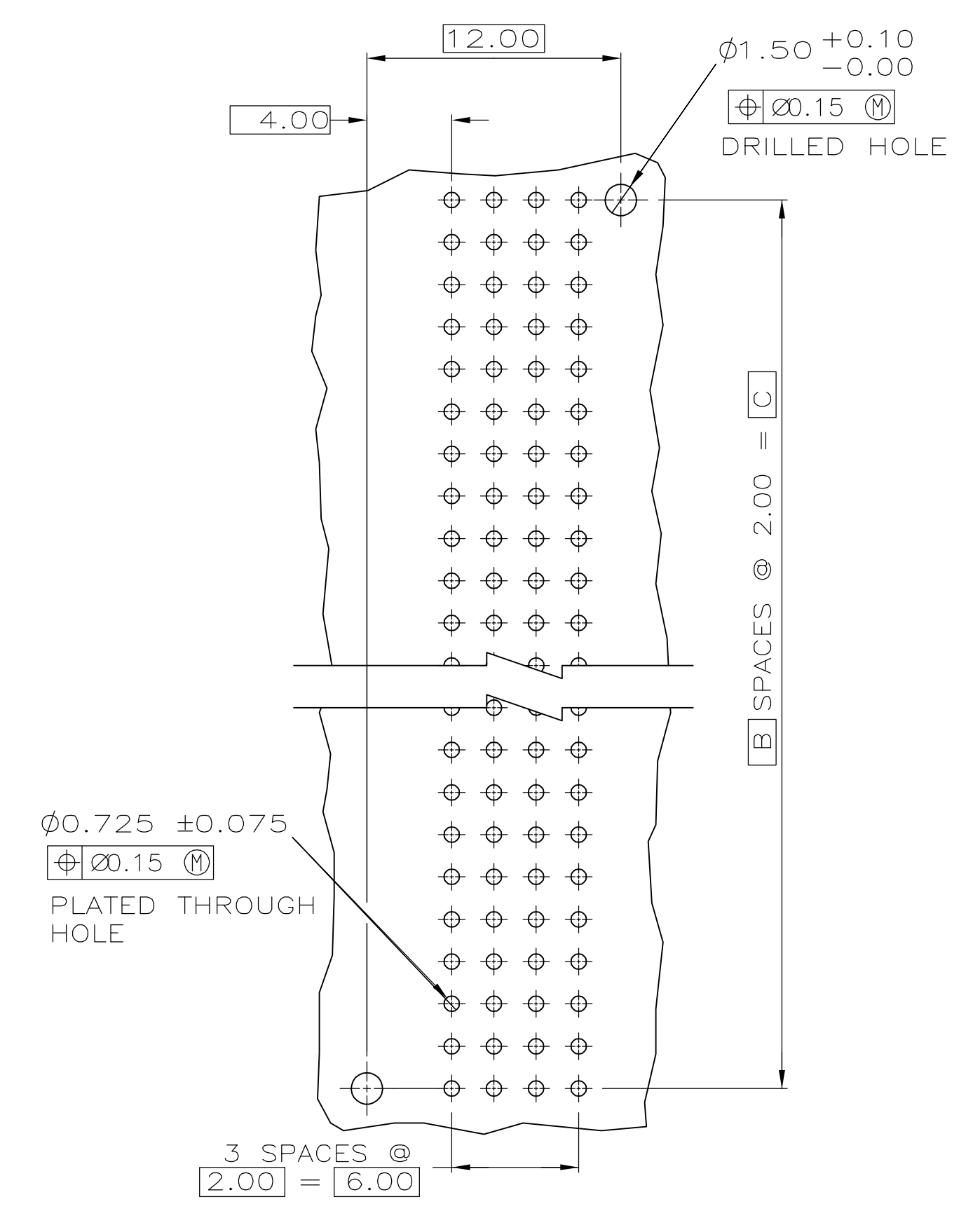
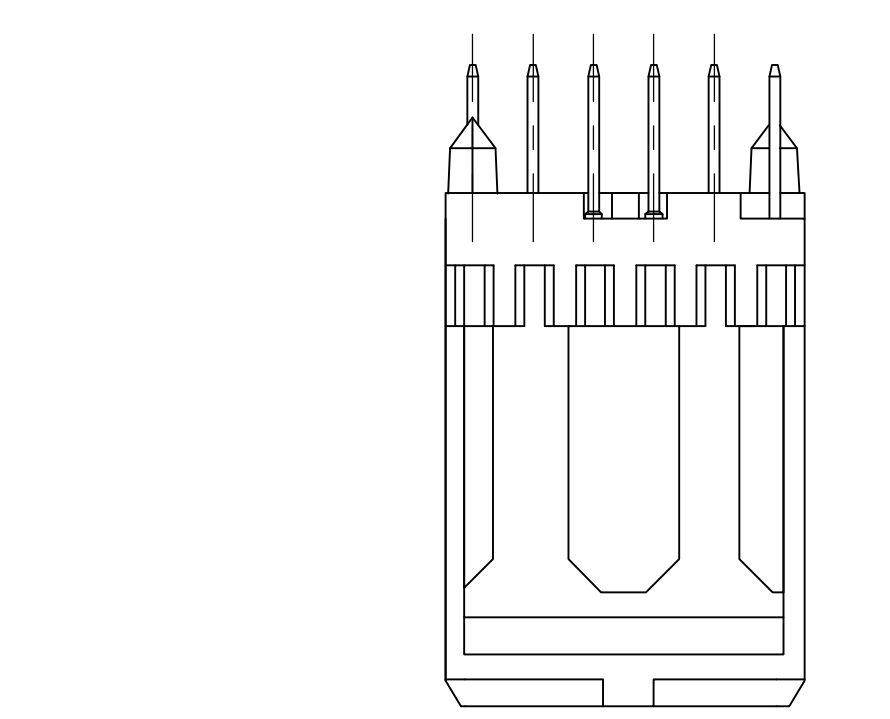
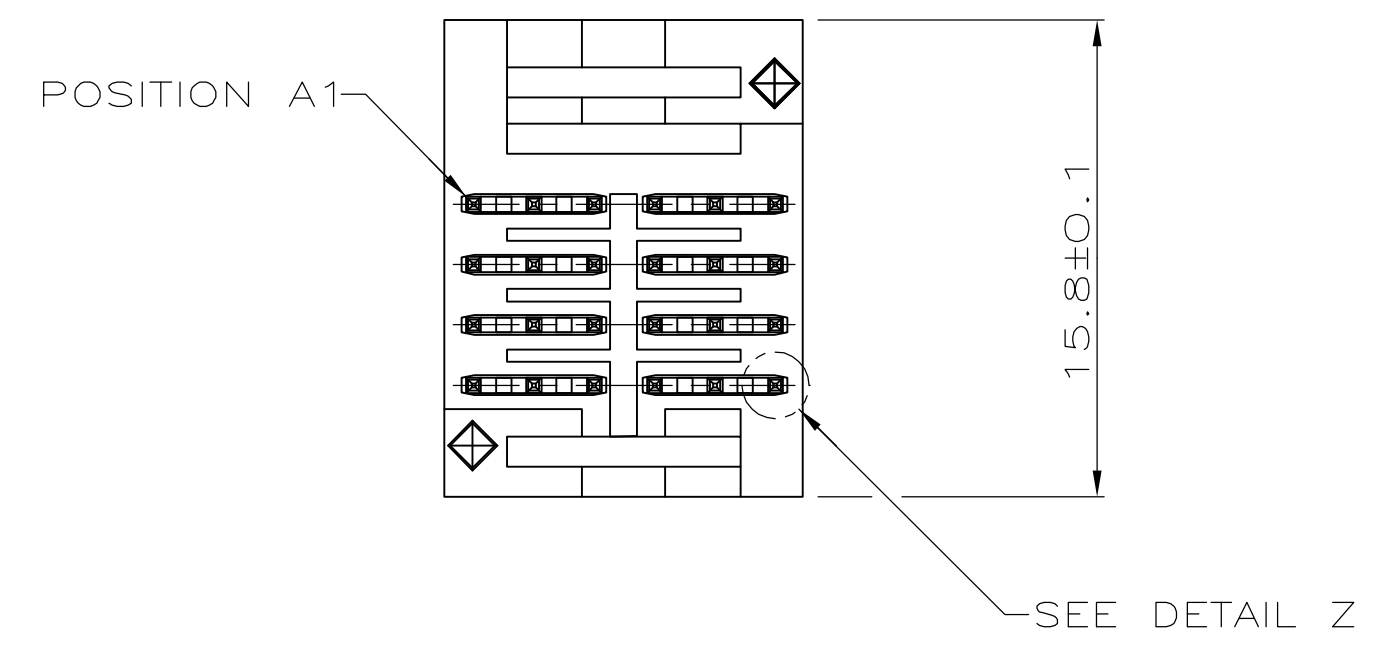
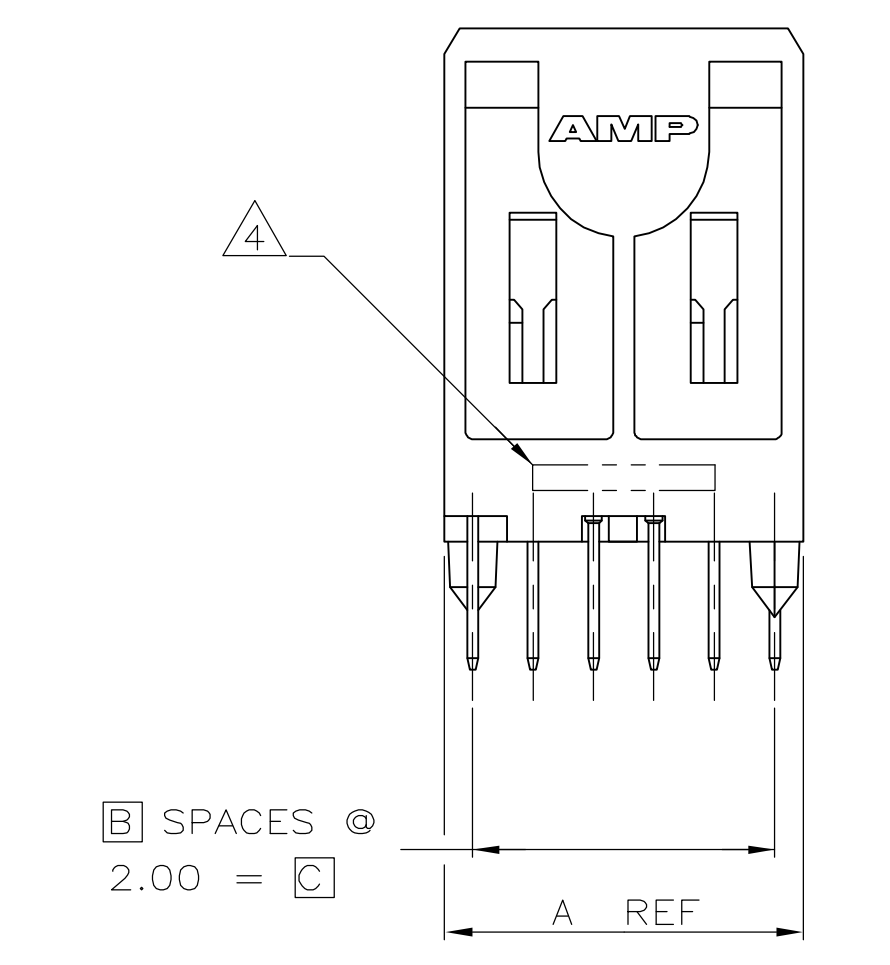
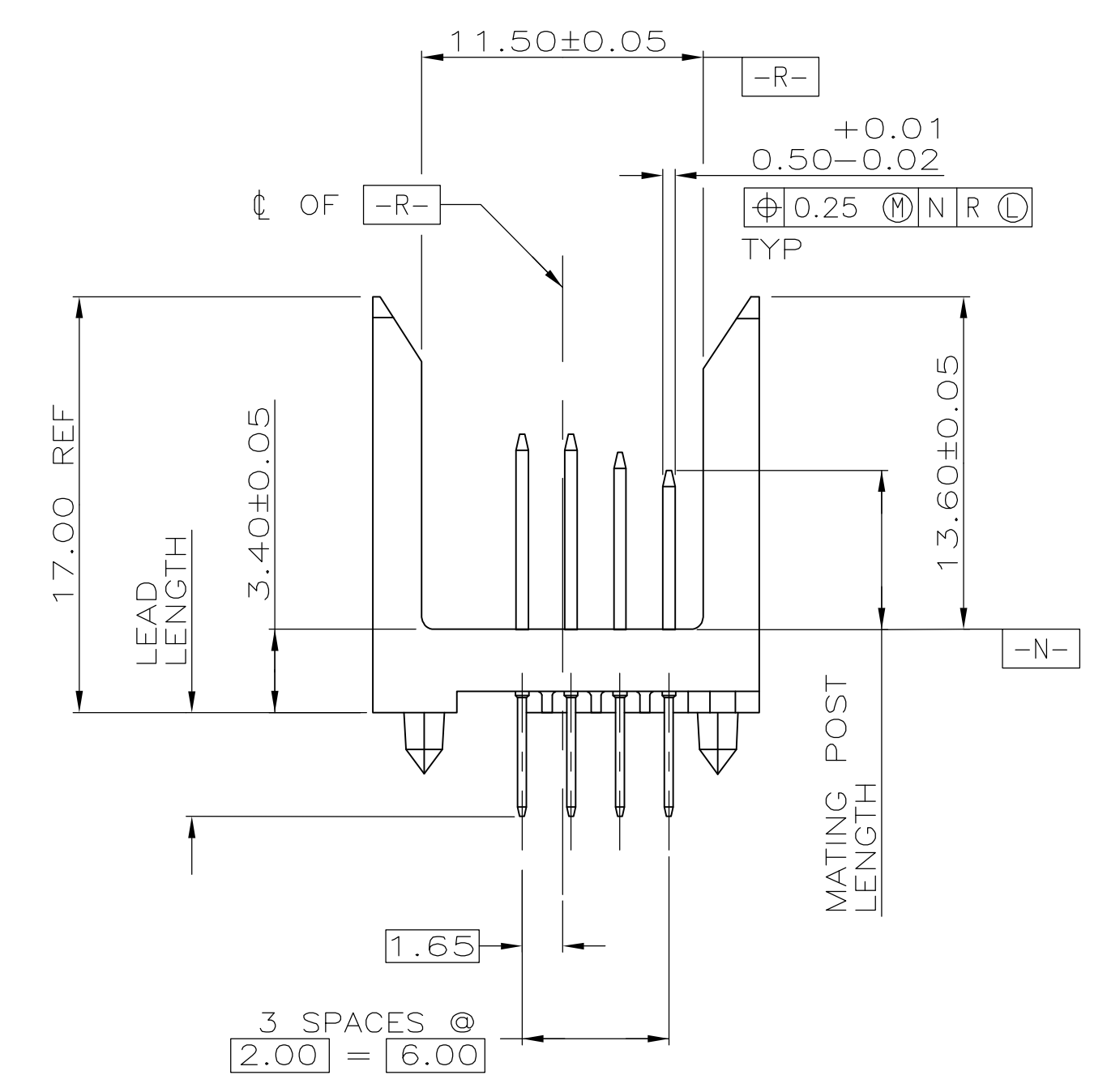
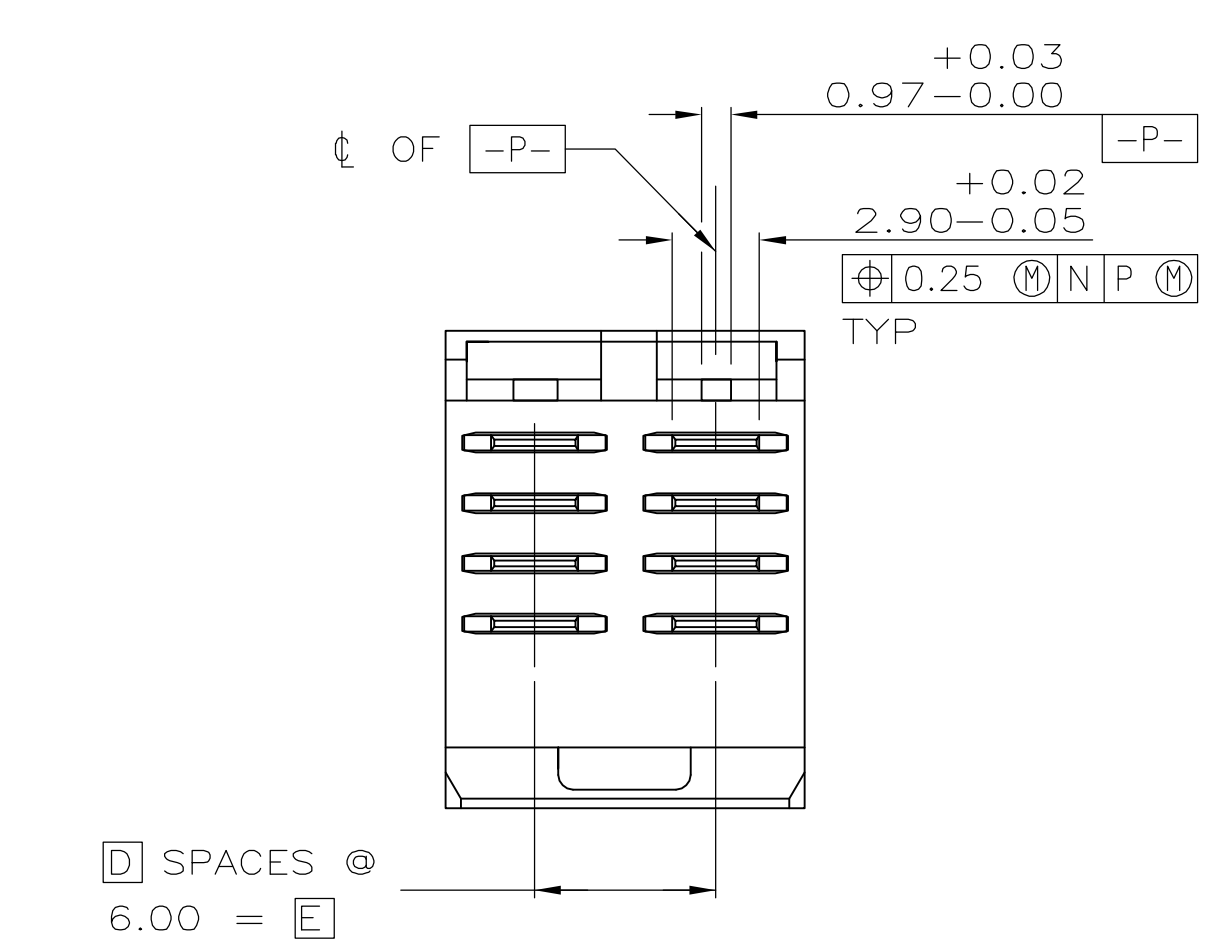
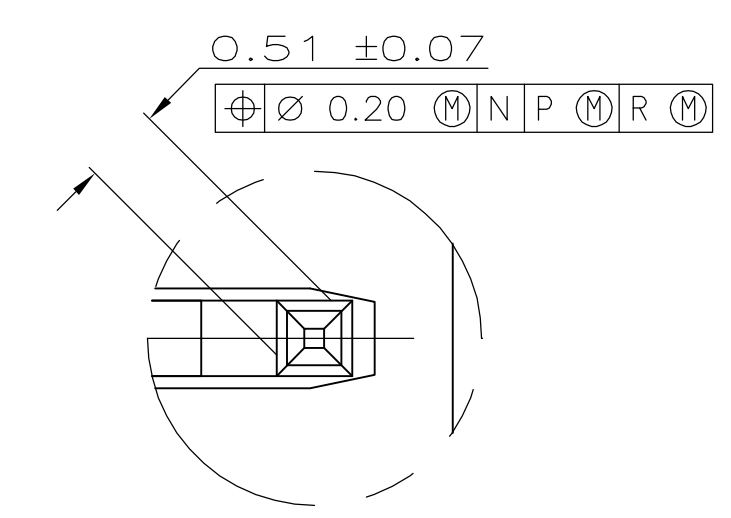


- 1 HOUSING MATERIAL: LIQUID CRYSTAL POLYMER
COLOR: NATURAL.
- 2 CONTACT MATERIAL: PHOSPHOR BRONZE PER UNS ALLOY NO. C51100, TEMPER: H04.
- 3 CONTACT FINISH:(E)
UNDERPLATE (ENTIRE CONTACT):
0.00127 MIN NICKEL PER SAE-AMS-QQ-N-290
ON MATING SURFACES:
FLASH GOLD PER ASTM B 488, OVER
0.00076 MIN PALLADIUM-NICKEL OVER UNDERPLATE, OR
0.00076 MIN GOLD PER ASTM B 488 OVER UNDERPLATE.
ON LEADS:
0.00381 MIN MATTE TIN PER ASTM B 545 OVER UNDERPLATE.
LUBRICATION (MIN MATING SURFACES):
SURFACE CONDITIONER AFTER PLATING.
- 4 PART MARKING LOCATED APPROXIMATELY AS SHOWN.



RECOMMENDED CIRCUIT PATTERN
 PER IPC-D300 TYPE II, CLASS C
 (COMPONENT SIDE)



DETAIL Z
 SCALE 20:1

CODE LETTER	MATING POST LENGTH ±0.1	LEAD LENGTH (REF)
CC	8	4.25
CB	7.25	4.25
CA	6.5	4.25

ROW	D		CA		CA
	C		CB		CB
	B		CC		CC
	A		CC		CC
		1	2	3	4
		POWER			6
		POSITION			

ROW	D		CC		CC
	C		CB		CB
	B		CB		CB
	A		CA		CA
		1	2	3	4
		POWER			6
		POSITION			

5536624-1

5536624-2

6	1	10	5	11.88	3	8	5536624-2
6	1	10	5	11.88	3	8	5536624-1
E	D	C	B	A	FINISH	NO OF POWER POSN	PART NUMBER

THIS DRAWING IS A CONTROLLED DOCUMENT.

DIMENSIONS: mm [INCHES]	TOLERANCES UNLESS OTHERWISE SPECIFIED:	DWN: R. BUCHHEISTER 15/SEP/95	CHK: J. SMALLEY 15/SEP/95	APPRO: D. BAECHTLE 15/SEP/95	NAME: D. BAECHTLE	tyco Electronics	Tyco Electronics Corporation Harrisburg, Pa 17105-3608
0 PLC ± -	1 PLC ± -	2 PLC ± 0.15(005)	3 PLC ± -	4 PLC ± -	ANGLES ± -	FINISH	ASSEMBLY, PIN, POWER, VERTICAL, Z-PACK 2mm FB, 4 ROW, SOLDER LEADS, SEQUENCED BY ROW
MATERIAL	FINISH	WEIGHT	SIZE: A1	CAGE CODE: 00779	DRAWING NO: 5536624	RESTRICTED TO: -	CUSTOMER DRAWING

SCALE 4:1 SHEET 1 OF 1 REV A