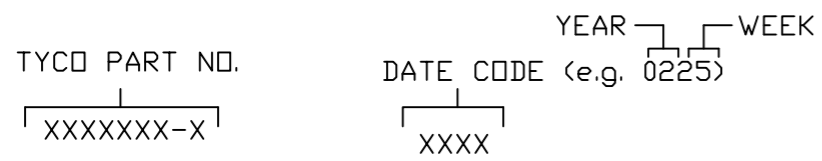


This drawing involves proprietary design rights of Tyco Electronics Corporation, and all design, manufacture, reproduction, use and sale rights regarding the same are expressly reserved. It is submitted for a specific purpose and the recipient by accepting this drawing, assumes custody and control and agrees to take reasonable precautions; (a) that this drawing will not be copied and reproduced, in whole or in part, or its contents revealed in any manner, or to any person except to meet the purpose for which it was delivered and (b) that any special features peculiar to this design will not be incorporated in other projects without the expressed written permission of Tyco Electronics Corporation.

REVISIONS			
EC	REV	DESCRIPTION	DATE
13306	A	NEW RELEASE	03/06/02
---	A1	CORRECTED DIMENSION TYPO, 2.720 TO 2.72	10/11/05

4 ITEMS PROVIDED TO THIS SPECIFICATION TO BE PERMANENTLY IDENTIFIED PER THE FOLLOWING IDENTIFIER:



3 RECOMMENDED MOUNTING HARDWARE: TO BE ORDERED SEPARATELY. SHOWN FOR REFERENCE ONLY.

- FOR PANEL MOUNTING, USE:
 PN 1650402-1: SHOULDER SCREW, #8-32
 pn 1650589-1: SHOULDER SCREW, M4 X 0.7

2. MATERIALS:

HOUSINGS: THERMOPLASTIC, GLASS REINFORCED, UL94V-0 FLAMMABILITY RATED, COLOR-BLACK.
 RETENTION CLIPS: BERYLLIUM COPPER OR STAINLESS STEEL.

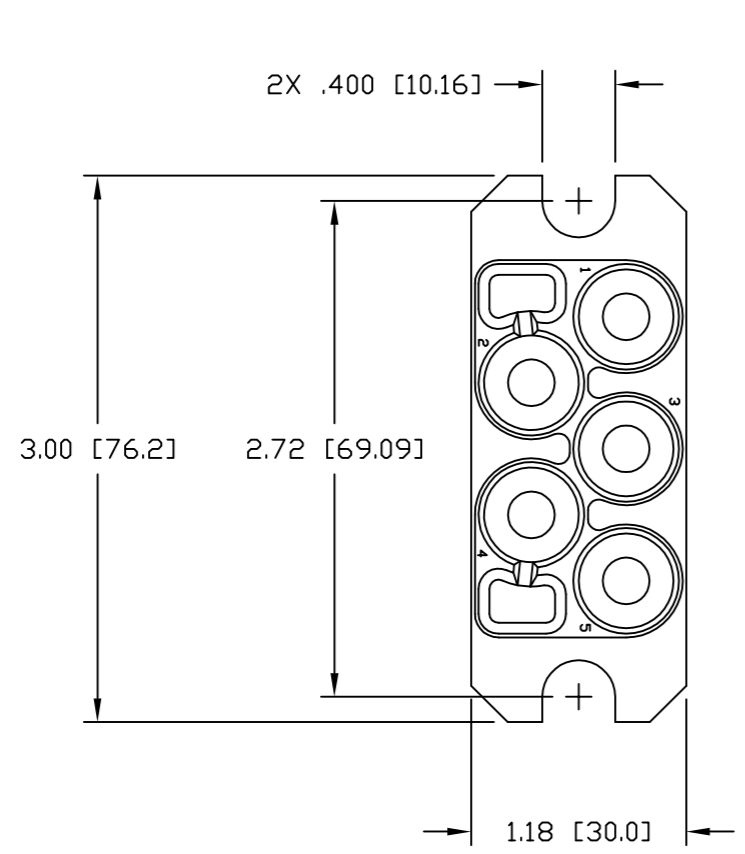
1. PART NUMBER CHANGES AND OR DESIGN CHANGES AFFECTING ITEM INTERCHANGEABILITY REQUIRE PRIOR ELCON APPROVAL AND AUTHORIZATION BY REVISION TO THIS DRAWING.

NOTES: UNLESS OTHERWISE SPECIFIED

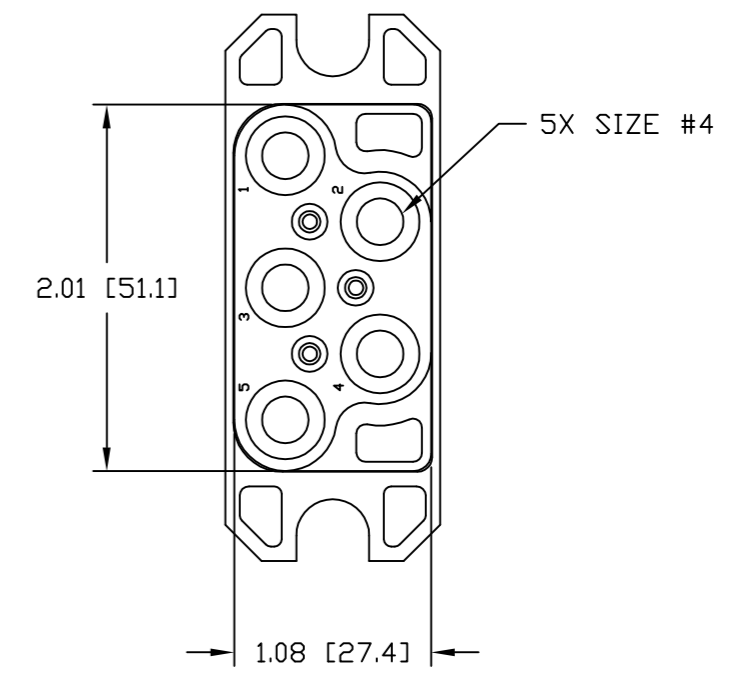
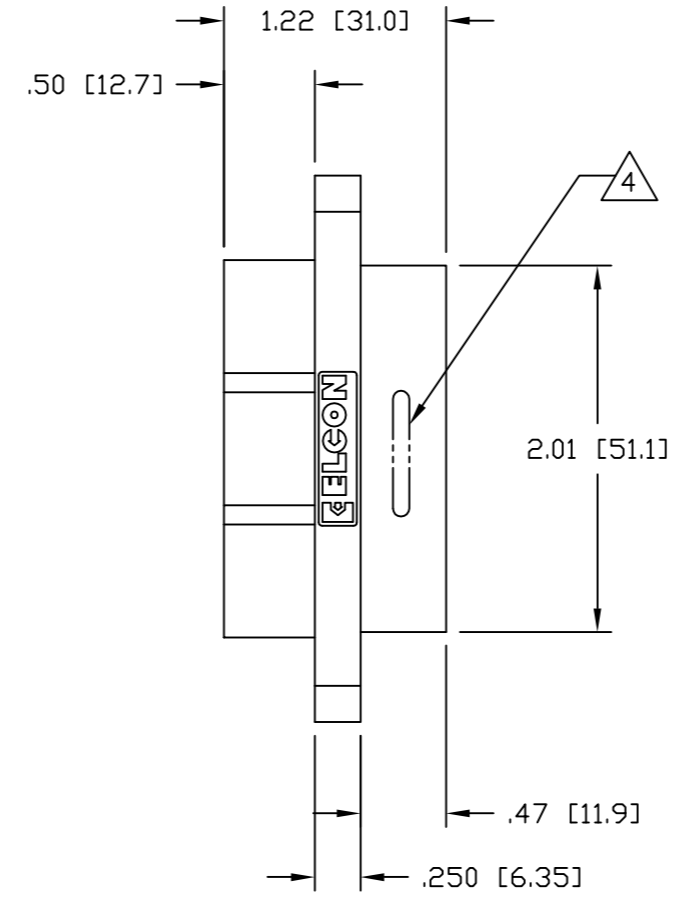
<p>THIRD ANGLE PROJECTION</p> <p>UNLESS OTHERWISE SPECIFIED DIMENSIONS ARE IN INCHES (METRIC)</p> <p>TOLERANCES</p> <p>ANGLES ± .5°</p> <p>DECIMALS</p> <p>.XXX ± .010 (.25)</p> <p>.XX ± .02 (.3)</p>	<p>INCH OR INCH (MM)</p> <p>MM</p>	<p>DRAWN</p> <p>T. FARLEY</p>	<p>DATE</p> <p>10/12/05</p>	<p>tyco Tyco Electronics Corporation ELCON</p> <p>Electronics Menlo Park, Ca 94025</p>		
	<p>CHECKED</p>	<p>APPROVED</p>	<p>TITLE</p> <p>CONNECTOR, PIN P5S0 DRAWER PN 6651457-1</p>			
	<p>APPROVED</p>	<p>D. CHAU</p>	<p>10/12/05</p>	<p>SIZE</p> <p>B</p>	<p>DWG NUMBER</p> <p>C= 6651457</p>	<p>REV.</p> <p>A1</p>
	<p>M. ALIM</p>	<p>10/12/05</p>	<p>ACAD FILE NUMBER C6651457A1.DWG</p>			<p>DWG SCALE 1=1</p>

This drawing involves proprietary design rights of Tyco Electronics Corporation, and all design, manufacture, reproduction, use and sale rights regarding the same are expressly reserved. It is submitted for a specific purpose and the recipient by accepting this drawing, assumes custody and control and agrees to take reasonable precautions; (a) that this drawing will not be copied and reproduced, in whole or in part, or its contents revealed in any manner, or to any person except to meet the purpose for which it was delivered and (b) that any special features peculiar to this design will not be incorporated in other projects without the expressed written permission of Tyco Electronics Corporation.

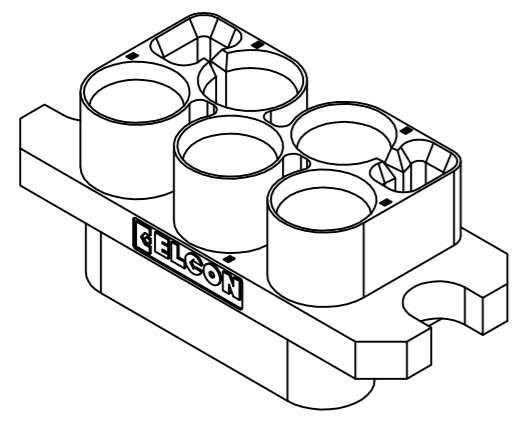
REVISIONS			
EC	REV	DESCRIPTION	DATE
		SEE SHEET 1	



FRONT VIEW



REAR VIEW

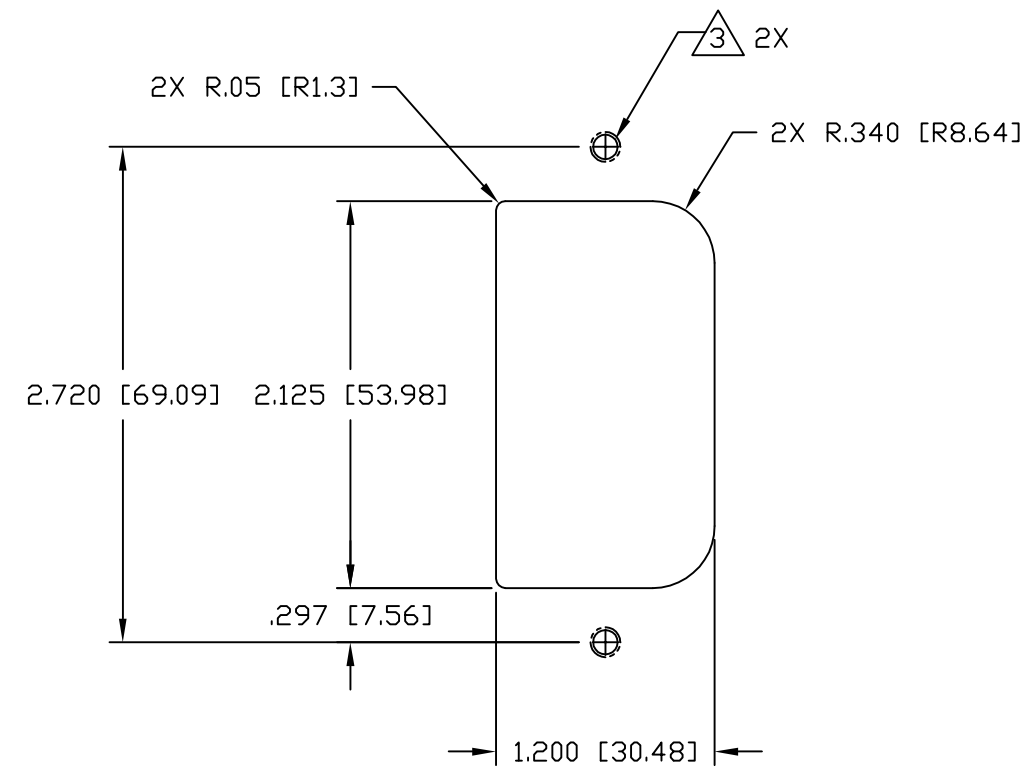
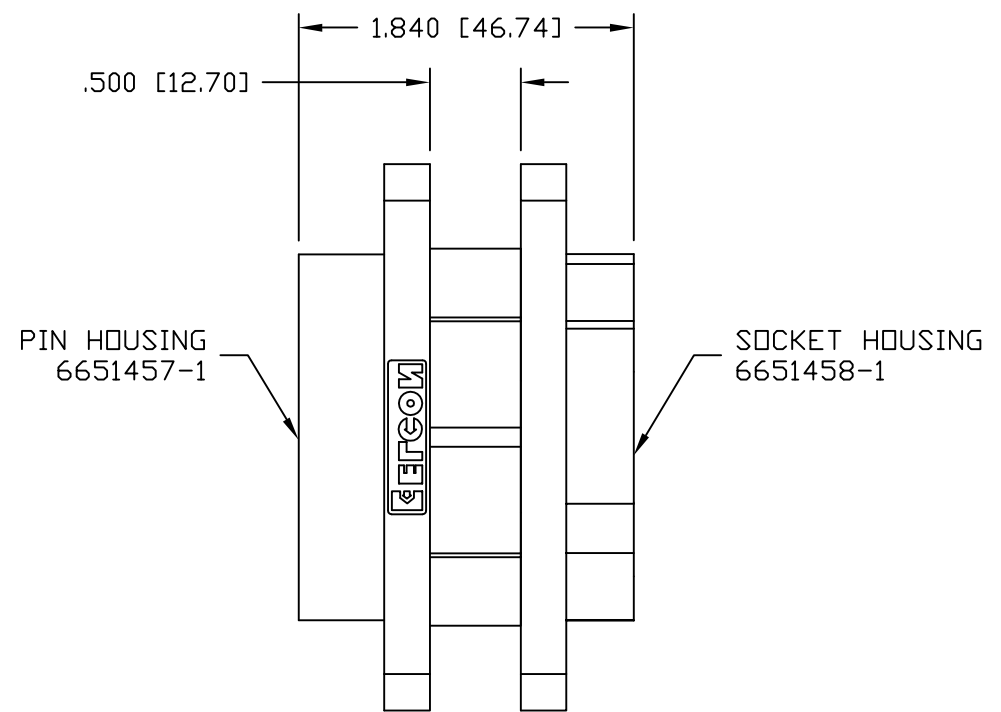


INCH OR INCH (MM) THIRD ANGLE PROJECTION UNLESS OTHERWISE SPECIFIED DIMENSIONS ARE IN INCHES (METRIC) TOLERANCES ANGLES ± .5° DECIMALS .XXX ± .010 (.25) .XX ± .02 (.3)	DRAWN T. FARLEY	DATE 10/12/05	Tyco Electronics Corporation Menlo Park, Ca 94025
	CHECKED		
	APPROVED	APPROVED D. CHAU	DATE 10/12/05
	APPROVED M. ALIM	DATE 10/12/05	ACAD FILE NUMBER C6651457A1.DWG
	SIZE B	DWG NUMBER C= 6651457	REV. A1
			SH 2 OF 3

This drawing involves proprietary design rights of Tyco Electronics Corporation, and all design, manufacture, reproduction, use and sale rights regarding the same are expressly reserved. It is submitted for a specific purpose and the recipient by accepting this drawing, assumes custody and control and agrees to take reasonable precautions; (a) that this drawing will not be copied and reproduced, in whole or in part, or its contents revealed in any manner, or to any person except to meet the purpose for which it was delivered and (b) that any special features peculiar to this design will not be incorporated in other projects without the expressed written permission of Tyco Electronics Corporation.

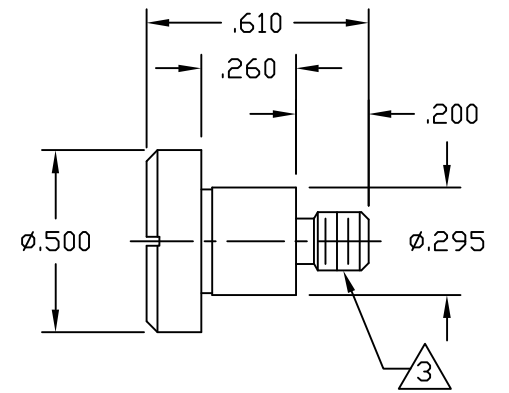
REVISIONS			
EC	REV	DESCRIPTION	DATE
		SEE SHEET 1	

B



SUGGESTED PANEL CUTOUT
VIEWED FROM CONNECTOR MOUNTING SIDE
PIN HOUSING 6651457-1

A



SHOULDER SCREW
SCALE: 2:1

INCH OR INCH (MM) THIRD ANGLE PROJECTION UNLESS OTHERWISE SPECIFIED DIMENSIONS ARE IN INCHES (METRIC) TOLERANCES ANGLES ± .5° DECIMALS .XXX ± .010 (.25) .XX ± .02 (.3)	DRAWN T. FARLEY CHECKED APPROVED APPROVED D. CHAU DCA APPROVED M. ALIM ACAD FILE NUMBER C6651457A1.DWG	DATE 10/12/05 APPROVED APPROVED D. CHAU M. ALIM DATE 10/12/05 DATE 10/12/05	 Tyco Electronics Corporation Menlo Park, Ca 94025 	TITLE PANEL CUTOUT AND MATED CONDITION P5S0 DRAWER PN 6651457-1	SIZE B	DWG NUMBER C= 6651457	REV. A1
	DWG SCALE 1=1		SH 3 OF 3				

4

3

2

1

B

A