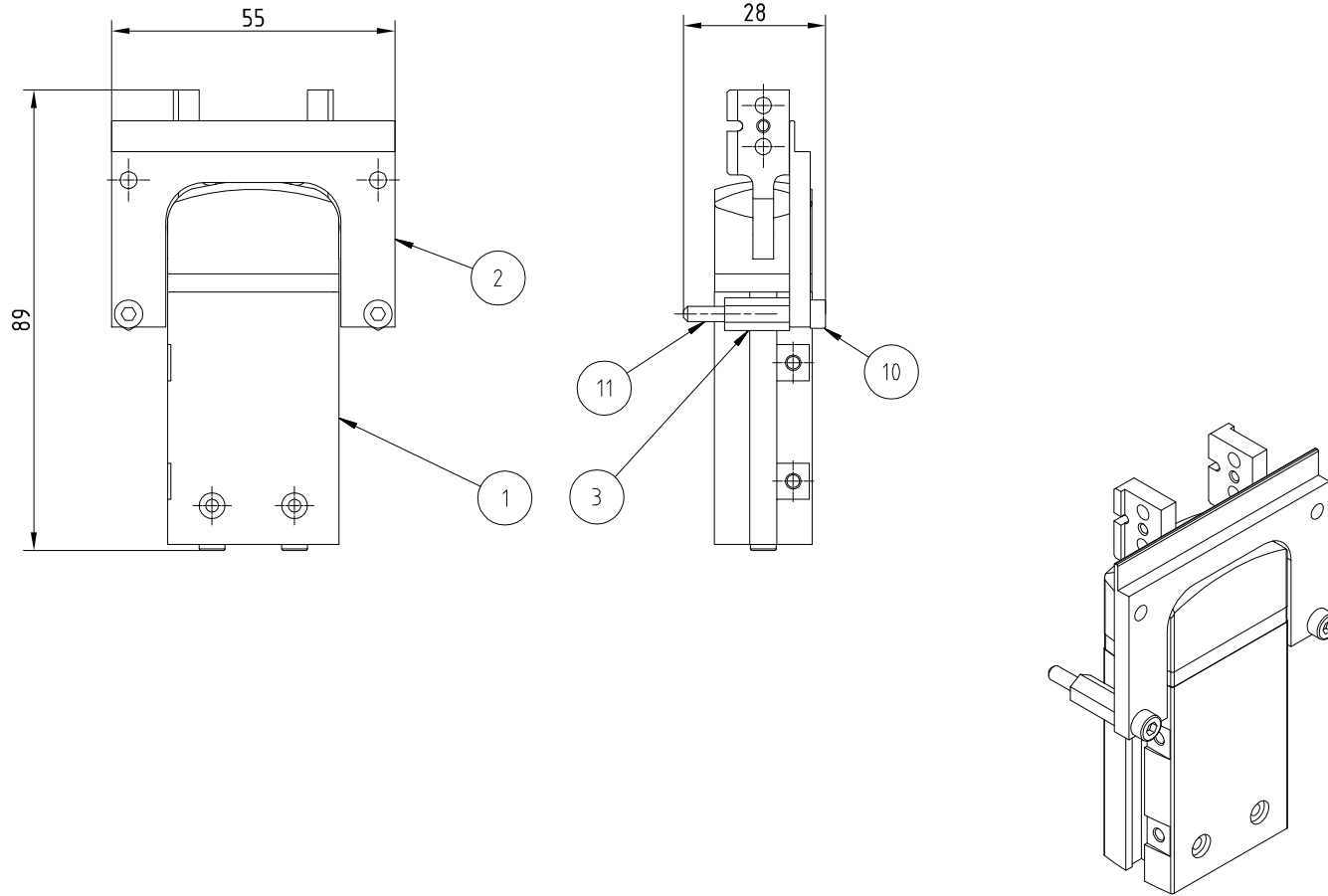


THIS DRAWING IS UNPUBLISHED.

RELEASED FOR PUBLICATION

© COPYRIGHT BY TYCO ELECTRONICS CORPORATION. ALL INTERNATIONAL RIGHTS RESERVED.

LDC		DIST		REVISIONS			
P	LTR	DESCRIPTION		DATE	DWN	APVD	
	D	ECR-14-011924		07AUG2014	BM	MD	



THIS DRAWING IS A CONTROLLED DOCUMENT.		DWN GuG Potz	01DEC2008	STE TE Connectivity	
		CHK M.Dietzer	05JUL2012		
DIMENSIONS: mm		TOLERANCES UNLESS OTHERWISE SPECIFIED:		NAME	
		0 PLC	± -	APVD M.Dietzer	
		1 PLC	± -	PRODUCT SPEC	
		2 PLC	± -	APPLICATION SPEC	
		3 PLC	± -	NAME	
MATERIAL		FINISH		SIZE	RESTRICTED TO
				A3	—
				CAGE CODE	DRAWING NO
				00779	G=7-1481233-1
				WEIGHT	SCALE
				0,08kg	1:1
CUSTOMER DRAWING				SHEET	REV
				1 OF 2	D

