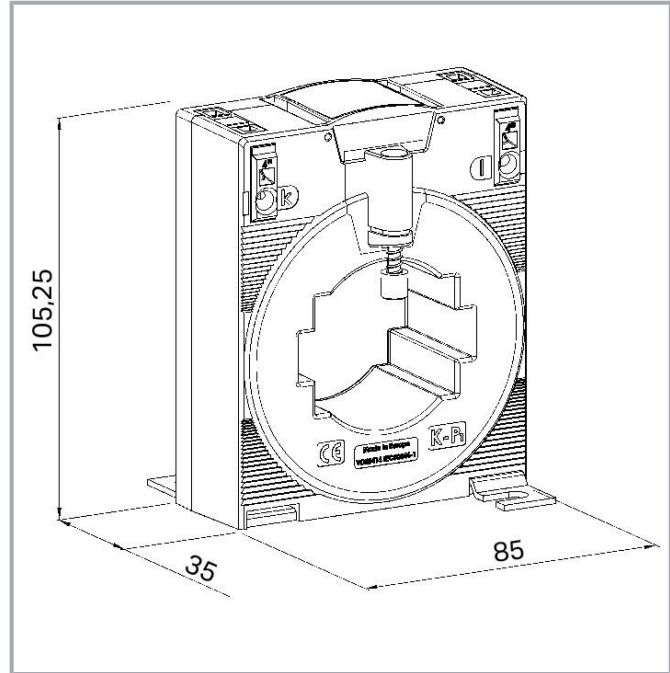


**Data sheet | Item number: 855-501/1000-1001**

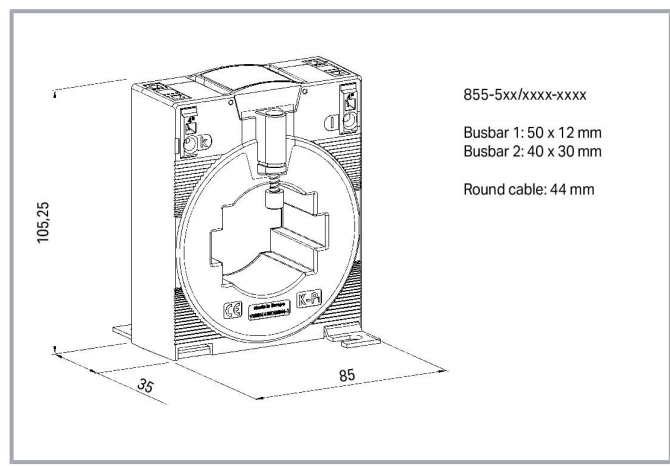
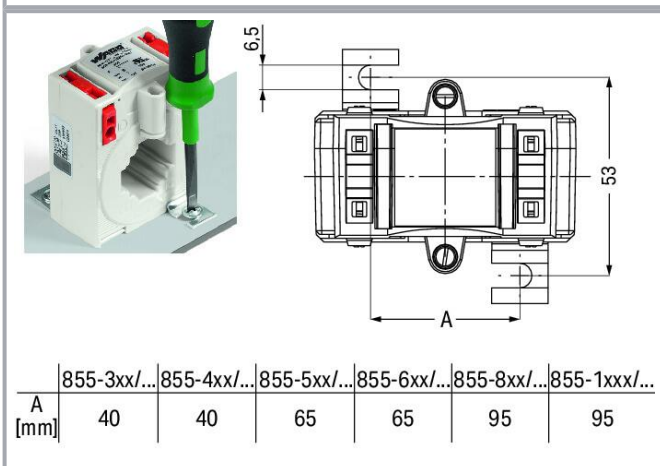
Plug-in current transformer; Primary rated current: 1000 A; Secondary rated current: 1 A; Rated power: 10 VA; Accuracy class: 1



[www.wago.com/855-501/1000-1001](http://www.wago.com/855-501/1000-1001)



**i** Picture differs from the item.



**Item description**

Short description:

Subject to changes. Please also observe the further product documentation!

WAGO GmbH & Co. KG  
 Hansastr. 27  
 32423 Minden  
 Phone: +49571 887-0 | Fax: +49571 887-169  
 Email: [info.de@wago.com](mailto:info.de@wago.com) | Web: [www.wago.com](http://www.wago.com)

Do you have any questions about our products?  
 We are always happy to take your call at +49 (571) 887-44222.



These plug-in units (855 Series) are inductive, single-conductor current transformers. Due to the measurement principle used, these current transformers are exclusively designed for AC network applications.

#### Features:

- Screwless CAGE CLAMP® connection technology
- Several mounting options available
- Vibration- and shock-resistant
- High mechanical retention forces
- High current-carrying capacity
- Continuous overload of 120% the nominal primary current
- Low-voltage current transformer for operating voltages up to max. 1.2 kV
- For 690 V power networks
- UL recognized components

## Data

### Technical data

#### Input Current Transformers

Primary rated current	1000 A
Rated continuous thermal current $I_{cth}$	$1.2 \times I_N$
Rated short-time thermal current $I_{th}$	$60 \times I_N / 1 \text{ s (max. 100 kA / 1 s)}$
Overcurrent limiting factor	FS5 / FS10 (type dependent; see type plate inscription)
Rated frequency	50 ... 60 Hz

#### Output (current transformer)

Secondary rated current	1 A
Rated power $S_r$	10 VA

#### Measurement Error

Accuracy class	1
----------------	---

#### Safety and protection

Highest voltage for equipment $U_m$	AC 1.2 kV <sub>rms</sub>
-------------------------------------	--------------------------

Subject to changes. Please also observe the further product documentation!



## Test voltage

Test voltage	AC 6 kV; 50 Hz; 1 min
--------------	-----------------------

## Connection data

Connection technology	CAGE CLAMP®
Solid conductor	0.08 ... 4 mm <sup>2</sup> / 28 ... 12 AWG
Fine-stranded conductor	0.08 ... 4 mm <sup>2</sup> / 28 ... 12 AWG
Strip length	9 ... 10 mm / 0.35 ... 0.39 inches

## Physical data

Width	85 mm / 3.346 inches
Height	105.25 mm / 4.144 inches
Depth	52 mm / 2.047 inches

## Mechanical Data

Mounting type	Installation on round cable Closed current transformer Installation on mounting plate Mounting on round cable
---------------	--

## Material Data

Insulation class	E
Weight	230 g

## Environmental requirements

Ambient temperature (operation)	-5 ... +50 °C
Ambient temperature (storage)	-25 ... +70 °C
Operating altitude (max.)	1000 m

## Standards and specifications

Conformity marking	CE
Standards/specifications	EN 61869-1 EN 61869-2 UL: E356480

Subject to changes. Please also observe the further product documentation!

## Commercial data



eCl@ss 10.0	27-21-09-02
eCl@ss 9.0	27-21-09-02
ETIM 8.0	EC002048
ETIM 7.0	EC002048
PU (SPU)	1 pcs
Packaging type	box
Country of origin	HU
GTIN	4050821616948
Customs tariff number	85043129900

## Environmental Product Compliance


RoHS Compliance Status	Compliant, No Exemption
------------------------	-------------------------

## Approvals / Certificates

### General approvals

Logo	Approval	Additional Approval Text	Certificate name
	EAC Brjansker Zertifizierungsstelle	TP TC 004/2011, TP TC 020/2011	EAC RU C-DE.AM02.B.00111/19
	UL Underwriters Laboratories Inc.	C51.13	E356480

### Declarations of conformity and manufacturer's declarations

Logo	Approval	Additional Approval Text	Certificate name
	EU-Declaration of Conformity WAGO GmbH & Co. KG	-	-

## Optional accessories

### Mounting

Current transformer terminal block
------------------------------------

Subject to changes. Please also observe the further product documentation!



**Item no.: 2007-8874**

Compact terminal block; for current and voltage transformers; 6,00 mm<sup>2</sup>; multicoloured

[www.wago.com/2007-8874](http://www.wago.com/2007-8874)



**Item no.: 2007-8877**

Compact terminal block; for current transformer circuit; 6,00 mm<sup>2</sup>; multicoloured

[www.wago.com/2007-8877](http://www.wago.com/2007-8877)



**Item no.: 2007-8875**

Compact terminal block; for current transformer circuit; 6,00 mm<sup>2</sup>; multicoloured

[www.wago.com/2007-8875](http://www.wago.com/2007-8875)



**Item no.: 2007-8876**

Compact terminal block; for 3-phase current transformer circuit; 6,00 mm<sup>2</sup>; multicoloured

[www.wago.com/2007-8876](http://www.wago.com/2007-8876)



**Item no.: 2007-8873**

Compact terminal block; for current and voltage transformers; 6,00 mm<sup>2</sup>; multicoloured

[www.wago.com/2007-8873](http://www.wago.com/2007-8873)

#### Mounting adapter

Fast connection adapter



**Item no.: 855-9910**

Quick-mount kit

[www.wago.com/855-9910](http://www.wago.com/855-9910)

#### Signal conditioner

Power measurement module



**Item no.: 2857-570/024-001**

3-Phase Power Measurement Module; 3x277/480 V/1 A; Modbus RTU; Digital output; Configuration via software; Supply voltage: 24 VDC

[www.wago.com/2857-570/024-001](http://www.wago.com/2857-570/024-001)

Current signal conditioner



**Item no.: 857-550**

Current signal conditioner; Current input signal; Current and voltage output signal; Digital output; Configuration via software; Supply voltage: 24 VDC; 6 mm module width; 2,50 mm<sup>2</sup>

[www.wago.com/857-550](http://www.wago.com/857-550)



**Item no.: 857-551**

Current signal conditioner; Current input signal; Current and voltage output signal; Digital output; Configuration via software; Supply voltage: 24 VDC; 6 mm module width

[www.wago.com/857-551](http://www.wago.com/857-551)

#### Tool

Operating tool



**Item no.: 210-720**

Operating tool; Blade: 3.5 x 0.5 mm; with a partially insulated shaft; multicoloured

[www.wago.com/210-720](http://www.wago.com/210-720)

Subject to changes. Please also observe the further product documentation!

WAGO GmbH & Co. KG

Hansastr. 27

32423 Minden

Phone: +49571 887-0 | Fax: +49571 887-169

Email: [info.de@wago.com](mailto:info.de@wago.com) | Web: [www.wago.com](http://www.wago.com)

Do you have any questions about our products?

We are always happy to take your call at +49 (571) 887-44222.



## Downloads

### Documentation

#### Bid Text

855-501/1000-1001 X81 - Datei	2019 Feb 19	xml 5.0 kB	Download
----------------------------------	-------------	---------------	----------

855-501/1000-1001 doc - Datei	2017 Dec 11	doc 31.7 kB	Download
----------------------------------	-------------	----------------	----------

#### Instruction Leaflet

Aufsteck-Stromwandler		pdf 1.5 MB	Download
-----------------------	--	---------------	----------

#### Additional Information

Disposal and Recycling Electrical and electronic equipment, Batteries, Packaging	V 1.1.0 2022 Aug 18	pdf 2.2 MB	Download
---	------------------------	---------------	----------

## Engineering-Software

### Configuration and Commissioning Software

WAGO Interface Configuration Software G2 FULL The full setup, in addition to the WAGO Interface Configuration Software G2, includes the installation for the Microsoft .NET Framework.	1.00.10.01 2022 Jan 20	exe 114.9 MB	Download
---	---------------------------	-----------------	----------

WAGO Interface Configuration Software G2 SMALL The full setup only includes the WAGO Interface Configuration Software G2.	1.00.10.01 2022 Jan 20	exe 31.0 MB	Download
--	---------------------------	----------------	----------

## CAD/CAE-Data

### CAD data

2D/3D Models 855-501/1000-1001		URL	Download
--------------------------------	--	-----	----------

### CAE data

EPLAN Data Portal 855-501/1000-1001		URL	Download
-------------------------------------	--	-----	----------

WSCAD Universe 855-501/1000-1001		URL	Download
----------------------------------	--	-----	----------

ZUKEN Portal 855-501/1000-1001

Subject to changes. Please also observe the further product documentation!

	<a href="#">URL</a>	<a href="#">Download</a>
WSCAD Universe 855-501/1000-1001	<a href="#">URL</a>	<a href="#">Download</a>
EPLAN Data Portal 855-501/1000-1001	<a href="#">URL</a>	<a href="#">Download</a>

## Environmental Product Compliance

### Compliance Search

Environmental Product Compliance 855-501/1000-1001	<a href="#">URL</a>	<a href="#">Download</a>
Plug-in current transformer; Primary rated current: 1000 A; Secondary rated current: 1 A; Rated power: 10 VA; Accuracy class: 1		

## Installation Notes

### Conductor termination

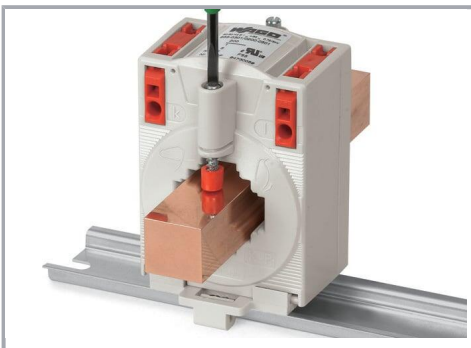


Conductor termination – screwdriver actuation perpendicular to conductor entry

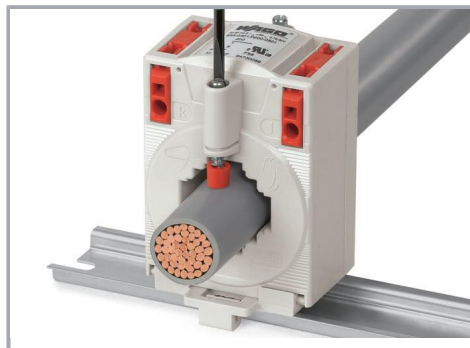


Conductor termination – screwdriver actuation parallel to conductor entry

### Installation



Installation on copper current bar



Installation on round cable

Subject to changes. Please also observe the further product documentation!



Installation on mounting plate



Installation via 855-9910 Quick-Mount Kit

Subject to changes. Please also observe the further product documentation!

WAGO GmbH & Co. KG  
Hansastr. 27  
32423 Minden  
Phone: +49571 887-0 | Fax: +49571 887-169  
Email: [info.de@wago.com](mailto:info.de@wago.com) | Web: [www.wago.com](http://www.wago.com)

Do you have any questions about our products?  
We are always happy to take your call at +49 (571) 887-44222.