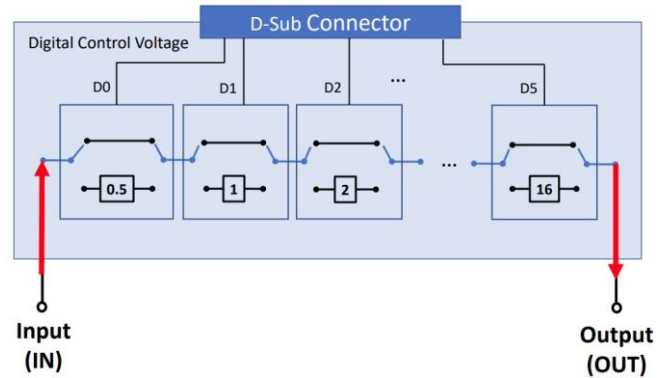




RoHS Compliant



Electrical Schematic

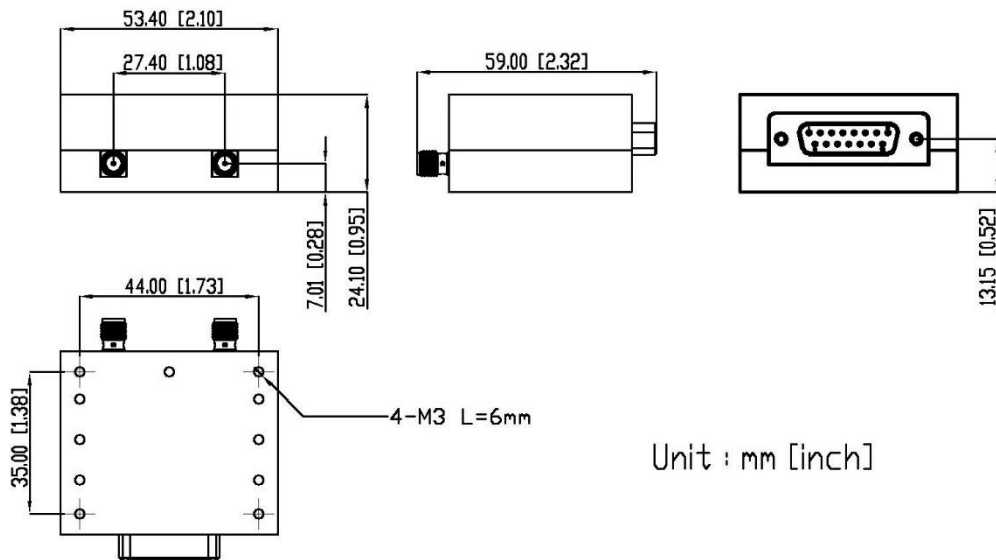
Electrical Specifications

Parameter	Unit	Frequency (MHz)	Conditions	Min.	Typ.	Max.	
Attenuation Range	dB	15 - 12000		0		31.5	
Step	dB				0.5		
Insertion Loss	dB		@ 0 dB Atn.		5.4	5.6	
Attenuation Accuracy	dB		@ 0.5 dB Atn.		±0.19	±0.23	
			@ 1, 2, 4 dB Atn.		±0.30	±0.33	
			@ 8, 16 dB Atn.		±0.64	±0.80	
			@ 31.5 dB Atn.		±1.77	±1.90	
Input Operating Power (RF In and RF Out ports)	dBm						25
IP3 Input	dBm					36	
VSWR	:1		@ 0 dB Atn.	Input		1.59	1.78
				Output		1.77	
Switching Speed	us		10% to 90% RF Output			45	
			50% Control to 90% RF Output			293	
Supply Voltage Range (V _{DD})	V				4.7		5.3
Control Voltage Threshold	V	Low		0		0.4	
		High		3		5.3	

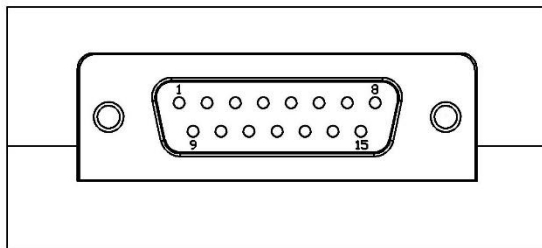
Digital Control Voltage Range	V			0		5.3
Supply Current (I_{DD})	mA				2	5

Operated in 50Ω system, 25°C environment.

Outline Drawing



Connectors: SMA Female, D-Sub Male

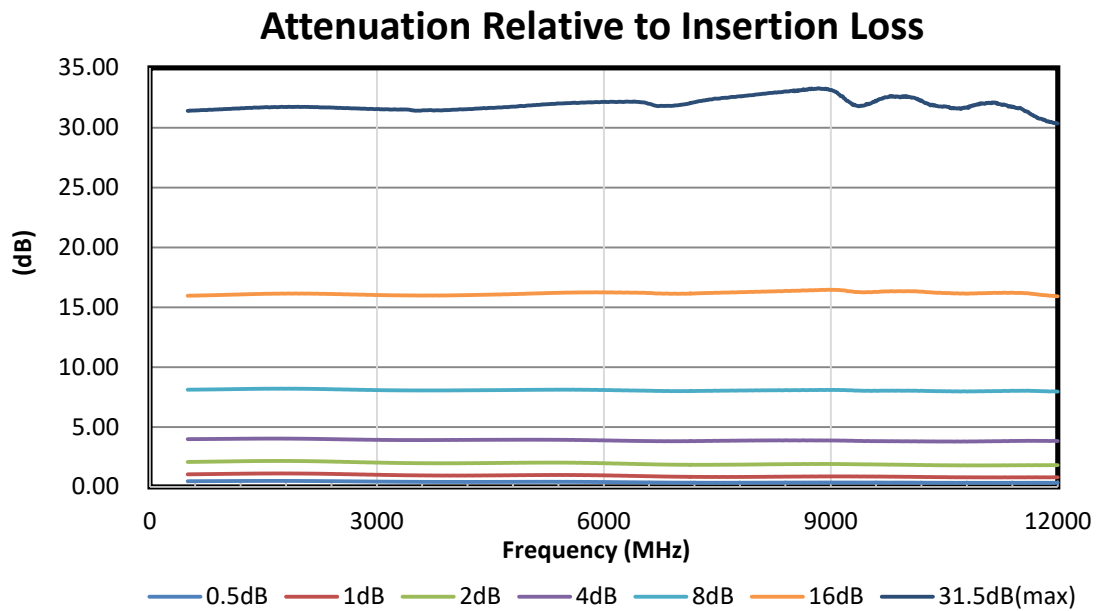


Pin Number Functions

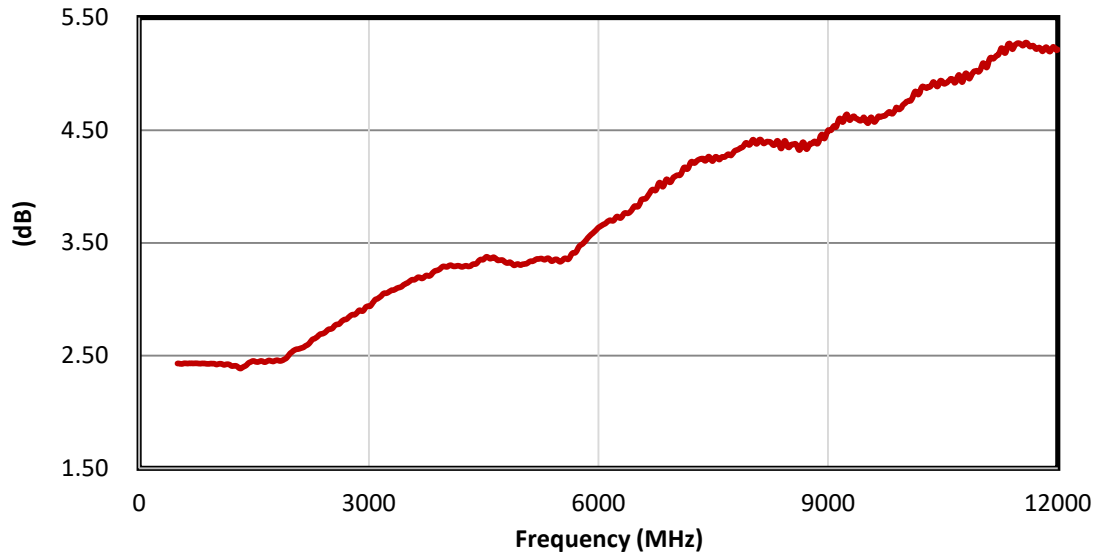
No.	15	14	13	12	11
Func.	N/C	D5	D4	D3	D2
No.	10	9	8	7	6
Func.	D1	D0	N/C	N/C	N/C
No.	5	4	3	2	1
Func.	N/C	N/C	GND	V _{DD}	N/C

Digital Control Input						Attenuation State (dB)
D0	D1	D2	D3	D4	D5	
Low	Low	Low	Low	Low	Low	0 (reference)
High	Low	Low	Low	Low	Low	0.5
Low	High	Low	Low	Low	Low	1
Low	Low	High	Low	Low	Low	2
Low	Low	Low	High	Low	Low	4
Low	Low	Low	Low	High	Low	8
Low	Low	Low	Low	Low	High	16
High	High	High	High	High	High	31.5

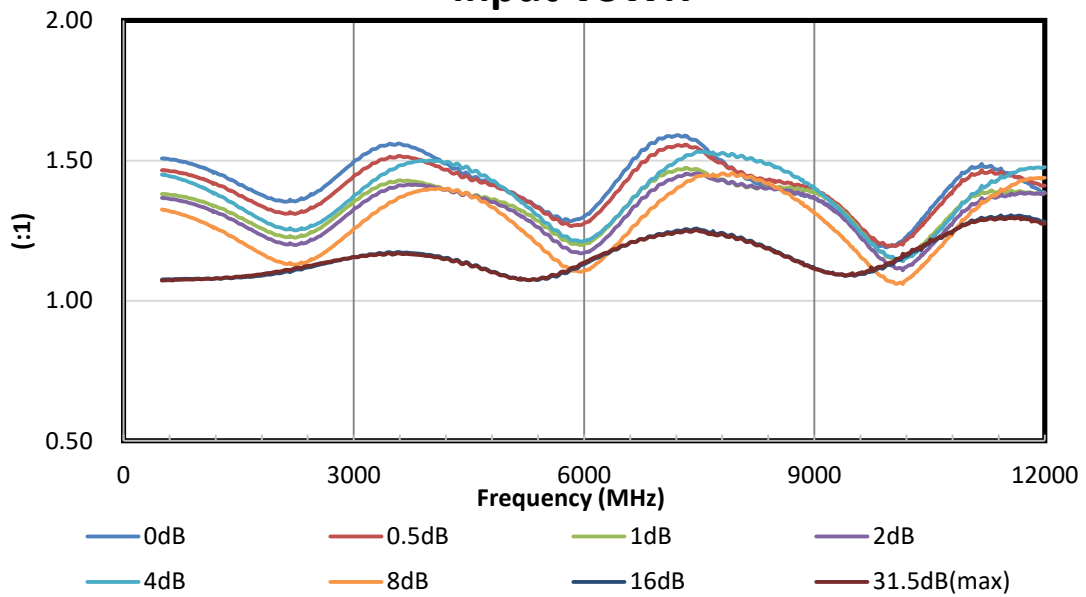
Typical Performance



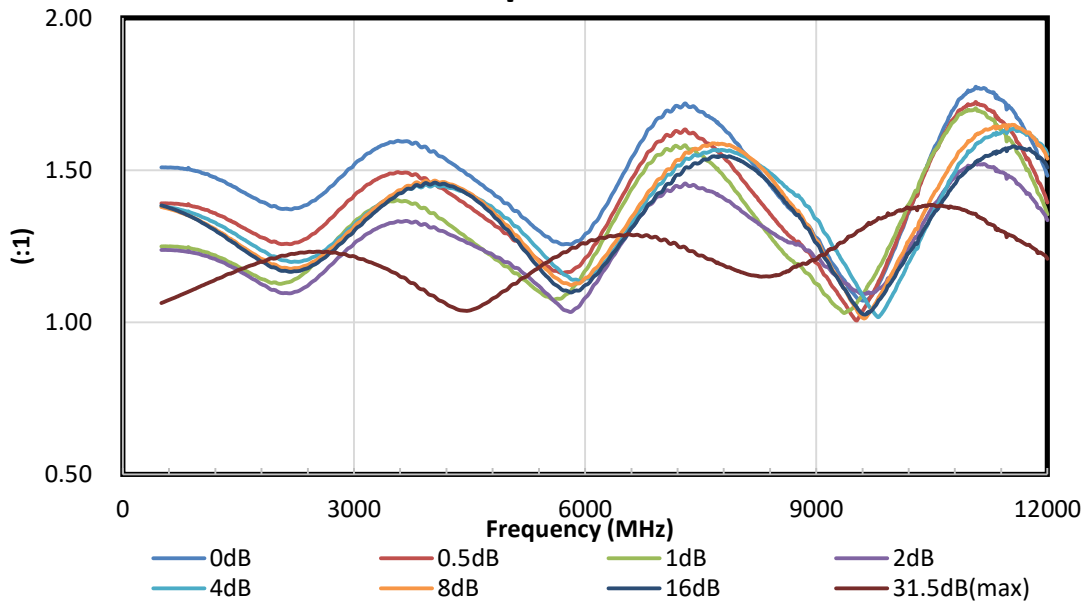
Insertion Loss



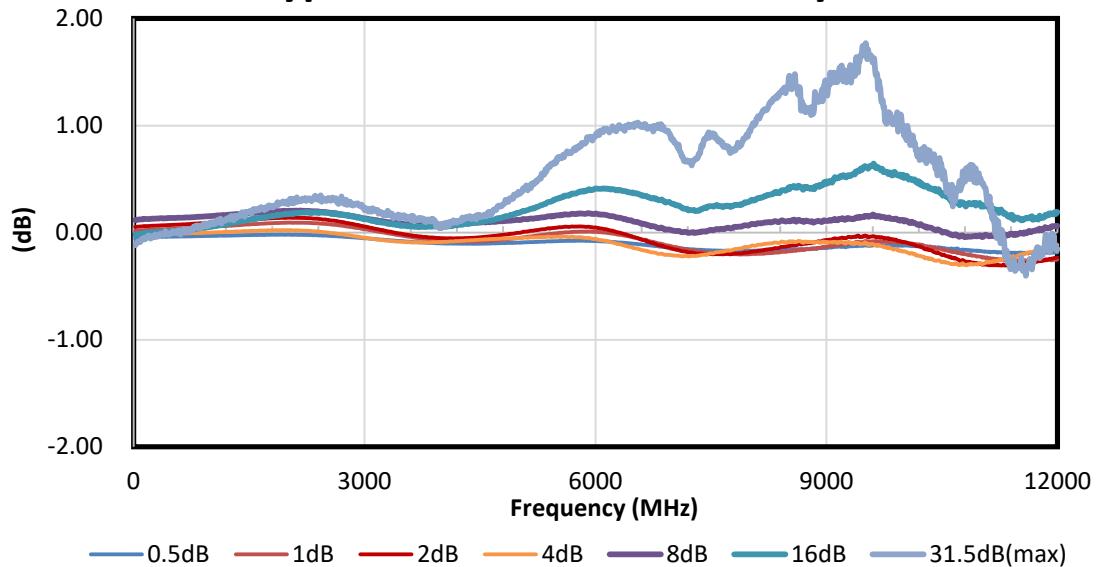
Input VSWR



Output VSWR



Typical Attenuation Accuracy



Typical performance S-parameter file: <https://www.amtery.com/en/goods-81>

For each S/N S-parameter file, go to <https://www.amtery.com/en/downloads>

Note: Specifications are subject to change without notice.