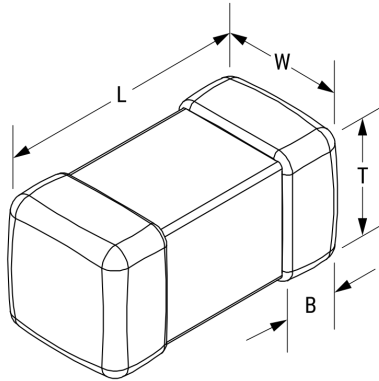


L1007C1R0MDWST

Aliases (L1007C1R0MDWST)

Not for New Design • Scheduled EOL - Last date to buy 30 JUN 2023

KEMET, L-DWS, Power, 1 uH, 20%



Click [here](#) for the 3D model.

Dimensions

Chip Size	1007
L	2.5mm +/-0.2mm
W	1.8mm +/-0.2mm
T	1.8mm +/-0.2mm
LL	0.5mm +/-0.2mm
B	0.5mm +/-0.2mm

Packaging Specifications

Packaging	T&R
Packaging Quantity	2000

General Information

Series	L-DWS
Style	SMD Chip
Description	Surface Mount Inductor
Features	Standard Type
RoHS	Yes
Notes	Last Order Date June 30, 2023. Suggested Replacement - https://www.chilisin.com/en-global/Inductor/Product/BKPB_252010/BKPB002520101R0MA2 .

Specifications

Inductance	1 uH (7.96 MHz)
Inductance Tolerance	20%
Temperature Range	-40/+105°C
Current	1200 mAmps (Isat, 30% Drop In Inductance), 1500 mAmps (Irms, 40C Rise By Self Heating)
DC Resistance	0.06 Ohms
Self-Resonant Frequency	100 MHz MIN

Statements of suitability for certain applications are based on our knowledge of typical operating conditions for such applications, but are not intended to constitute - and we specifically disclaim - any warranty concerning suitability for a specific customer application or use. This information is intended for use only by customers who have the requisite experience and capability to determine the correct products for their application. Any technical advice inferred from this information or otherwise provided by us with reference to the use of our products is given gratis, and we assume no obligation or liability for the advice given or results obtained.