

6

5

4

3

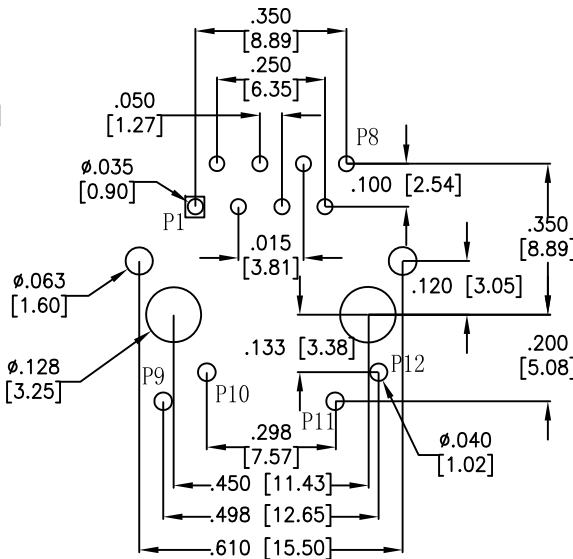
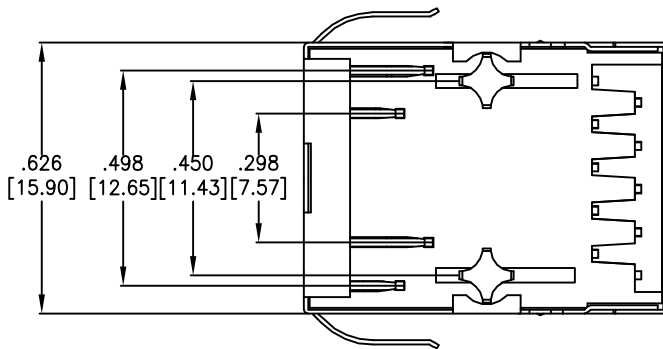
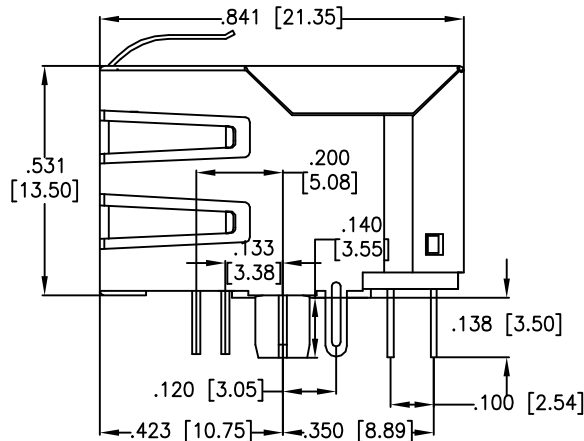
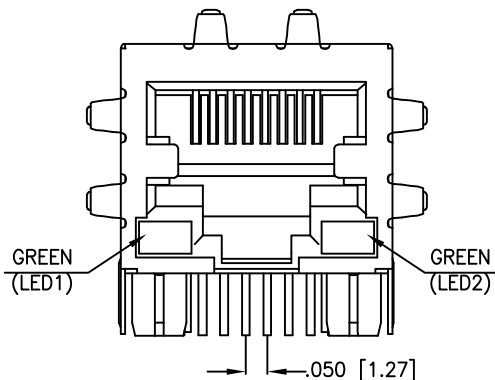
2

1

APPROVED: _____

DATE: _____ TITLE: _____

Rev	AWO #	Description	Date	Appr
-		RELEASED	11/21/12	



RECOMMENDED PCB LAYOUT (COMPONENT SIDE)

SPECIFICATIONS:

Material:
 Insulator: PBT, glass reinforced, rated UL 94V-0
 Insulator color: Black
 Contacts: Copper Alloy
 Shield: Copper Alloy, Nickel plated

Plating:
 Round contact
 Gold over Nickel underplate overall
 Flat contact

Gold over Nickel underplate on contact area,
 Tin over Nickel underplate on solder tails
 (See chart for thickness)

Electrical:
 Operating voltage: 150 VAC max
 Contact Resistance: 20 mohms max
 Insulation resistance: 500 Mohms min
 Dielectric withstanding voltage: 1500 VAC for 1 minute

Temperature Rating:
 Operating temperature: 0°C to +70°C

Environmental:
 Lead free, RoHS compliant.



X	PLATING
0	15 µin Gold
1	30 µin Gold
2	50 µin Gold

UNLESS OTHERWISE SPECIFIED
 ALL DIMENSIONS ARE INCHES [MM]
 TOLERANCES: EXCEPT AS NOTED
 INCHES HOLES

.X ± .10	∅X ± .10
.XX ± .020	∅XX ± .015
.XXX ± .015	∅XXX ± .010

APPROVALS		DATE
DRAWN	AY	11/21/12
CHECKED	CC	11/21/12
APPROVED		

ADAM TECH

909 Rahway Avenue, Union, NJ 07083
 Phone: 908-687-5000 Fax: 908-687-5710

TITLE
 MODULAR JACK GANGED, 1 PORT, 8P8C
 W/LED1 GREEN, LED2 GREEN

SIZE	PART NO.	REV.
X	MTJ-88TX1-FSD-PG-D1LD-M4	-
REF: S00005C	SCALE: NTS	SHEET 1 OF 2

6

5

4

3

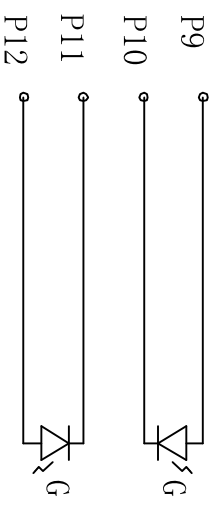
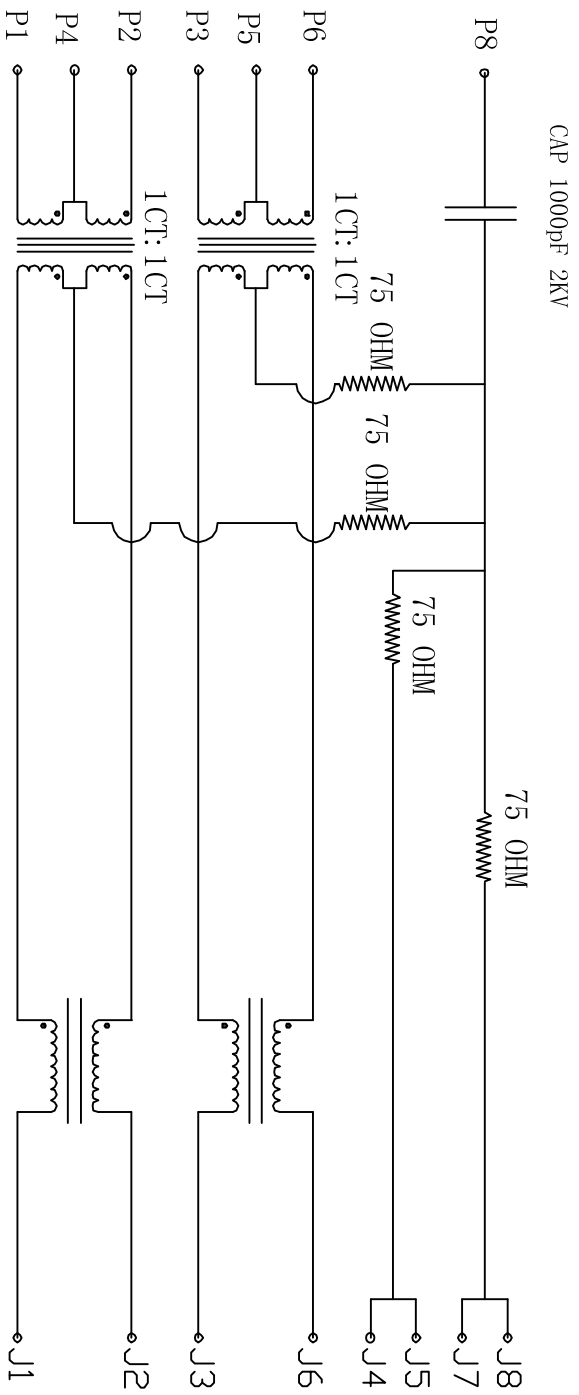
2

1

Rev	AWO #	Description	Date	Appr
		SEE SHT 1 OF 2 FOR REVISION		

APPROVED: _____

DATE: _____ TITLE: _____



ELECTRICAL SPECIFICATIONS

- Turns Ratio: (P1 ~ P2) : (J1 ~ J2) 1:1 ±3%
(P3 ~ P6) : (J3 ~ J6) 1:1 ±3%
- Inductance: (P1 ~ P2) 350uH min. @ 0.1V, 100KHZ, 8mA DC Bias
(P3 ~ P6) 350uH min. @ 0.1V, 100KHZ, 8mA DC Bias
- Leakage Inductance: P1 ~ P2 (with J1 and J2 Short): 0.35uH Max. @ 1 MHZ
P3 ~ P6 (with J3 and J6 Short): 0.35uH Max. @ 1 MHZ
- Interwinding Capacitor: (P1 ~ P2) : (J1 ~ J2): 35pF max. @ 1MHZ
(P3 ~ P6) : (J3 ~ J6): 35pF max @ 1mhz
- DC Resistance: (J1 ~ J2) : (J3 ~ J6): 1.2 Ohms Max.
- Return Loss: 1MHZ to 30MHZ: -18dB min
30MHZ to 60MHZ: -18dB min
60MHZ to 80MHZ: -12dB min
- Dielectric Withstanding: (P1~P2) : (J1~J2): 1500VAC or 2250VDC
(P3~P6) : (J3~J6): 1500VAC or 2250VDC
- Insertion Loss: 1MHZ TO 100MHZ : -1.2dB Max.
- Cross Talk: 1MHZ to 100MHZ: -30dB min.
- Common to Common mode Attenuation 1MHZ to 100MHZ: -30dB min.

UNLESS OTHERWISE SPECIFIED
ALL DIMENSIONS ARE INCHES [MM]

TOLERANCES: EXCEPT AS NOTED	
INCHES	HOLES
.X ±.10	Ø.X ±.10
.XX ±.020	Ø.XXX ±.015
.XXX ±.015	Ø.XXX ±.010

APPROVALS

DRAWN	AY	DATE	11/21/12
CHECKED	CC	DATE	11/21/12
APPROVED		DATE	

ADAM TECH
909 Ratway Avenue, Union, NJ 07083
Phone: 908-687-5000 Fax: 908-687-5710

TITLE: MODULAR JACK GANGED, 1 PORT, 8P8C
W/ LED1 GREEN, LED 2 GREEN

SIZE: PART NO. MTL-88TX1-FSD-PG-D1LD-M4
REF: S0006C

SCALE: NTS	SHEET 2 OF 2
------------	--------------